

AL100X Alarm Horn Sounder & Xenon Strobe Beacon

The AL100X features the 104dB(A) A100 alarm horn sounder combined with the L101X Xenon strobe beacon. The compact, robust enclosure is ideal for all general signalling applications including fire, security and process control.

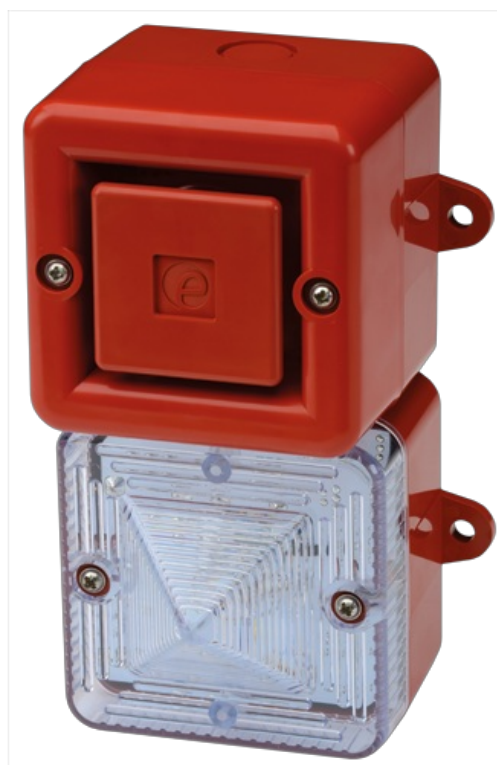
The 5 Joule Xenon strobe generates over 200 candela of light output. DC versions have multiple flash rates selectable during installation. Sounder & beacon may be connected from a single supply for simultaneous operation or from separate supplies for independent operation.

Features

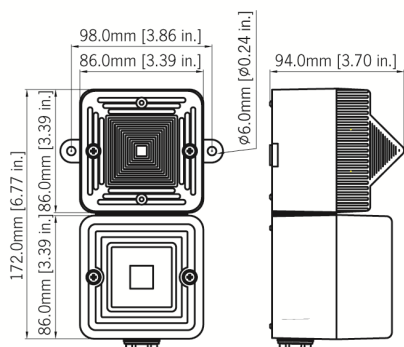
- Automatic synchronisation on multi-sounder system.
- High output Xenon beacon
- DC voltage units feature multiple flash rates.
- Continuously rated.
- Stainless steel fixings.
- Unit can be mounted using external lugs or internal BESA compatible fixing positions.
- Duplicate cable terminations (in & out for daisy-chain installations).
- Tropicalisation available on request.
- Available with custom tone configurations and frequencies.
- Stage Programmable 4 stage/channel version available:
 - 45 alarm tones
 - 4 remotely selectable stages
 - Any tone can be assigned to any stage
 - User configurable continuous frequency tone

Approvals

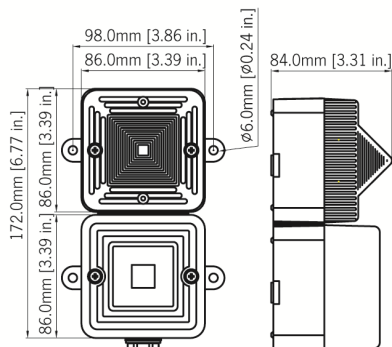
- EN54-3 & EN54-23 (CPR 305/2011/EU).
- UL & cULs approved: General signalling use.
- EAC GOST-R approved. Cert: POCC GB-JB05-H00144.



AL100X - UL version



AL100X - standard version



Specification

Sounder:

Maximum output:	104dB(A) @ 1 metre [95dB(A) @ 10ft/3m]
Nominal output:	100dB(A) @ 1m +/- 3dB - Tone 2 [91dB(A) @ 10ft/3m]
No. of tones:	32 (UK00A / PFEER compliant)
No. of stages:	3
Volume control:	Max. 100dB(A); Min. 90dB(A) - Tone 2
Effective range:	32m/105ft @ 1KHz
Stage switching:	Negative - Reverse polarity stage switching on DC units.

Beacon:

Energy:	5 Joules (5Ws)
Flash rate:	1Hz (60 fpm)
Peak Candela:	500,000 cd - calculated from energy (J)
Effective Intensity:	250 cd - calculated from energy (J)
Peak Candela:	86,935 cd* - measured ref. to I.E.S.
Effective Intensity:	200 cd* - measured ref. to I.E.S.
Lens colours:	Amber, Blue, Clear, Green, Magenta, Red & Yellow
Tube life:	Emissions are reduced to 70% after 5 million flashes

General:

Voltages DC:	24V dc (10-30V dc); 48V dc (35-60V dc) [DC units can use 24V ac for single stage applications.]
Voltages AC:	24V ac; 115V ac; 230V ac
Ingress protection:	IP66
Enclosure material:	High impact UL94 V0 & 5VA FR ABS
Colour:	Red (RAL3000), grey (RAL7038) & white.
Cable entries:	4 x M20 clearance gland entries in side & back
Terminals:	0.5 to 1.5mm ² cables.
Operating temp:	-25 to +55°C [-13° to +131°F]
Storage temp:	-40 to +70°C [-40° to +158°F]
Relative humidity:	90% at 20°C [68°F]
Weight:	DC: 0.46kg/1.01lbs AC:0.57kg/1.25lbs

*Candela measurements representative of performance with clear lens at optimum voltage.

*SPL data +/-3dB(A). Measured at optimum voltage.

Part Codes

Version:	Part code:
24V dc	AL100XDC024[x]/[y]
48V dc	AL100XDC048[x]/[y]
24V ac	AL100XAC024[x]/[y]
115V ac	AL100XAC115[x]/[y]
230V ac	AL100XAC230[x]/[y]
[x] = Enclosure colour:	G: Grey, R: Red, W: White
[y] = Lens colour:	A: Amber, B: Blue, C: Clear, G: Green M: Magenta R: Red, Y: Yellow

Suffix part number with '-P' for stage programmable, 4 stage, 45 tone version (not available with UL approval).

Suffix part number with '-UL' for UL approved version.

CPR	EN54-3 & EN54-23:
Part codes:	AL100XDC024[x]/C, AL100XDC048[x]/C
Environmental class:	Type B - for outdoor use
Visual range:	Category W-2.4-4.8 (24V dc) Category W-2.5-5.0 (48V dc)
Signal colour:	Clear (1Hz)

Alarm Sounder

Version:	Voltage:	Current:
24V dc	10-30V dc	25mA*
48V dc	35-60V dc	50mA*
24V ac	50/60Hz +/-10%	40mA
115V ac	50/60Hz +/-10%	20mA
230V ac	50/60Hz +/-10%	15mA

* current at nominal voltage on Tone 2

Xenon Beacon

Version:	Voltage:	Current:
12V dc	10-14V dc	500mA
24V dc	20-28V dc	250mA
48V dc	42-54V dc	175mA
24V ac	50/60Hz +/-10%	300mA
115V ac	50/60Hz +/-10%	70mA
230V ac	50/60Hz +/-10%	35mA

Tone table

S 1	Description	S 2	S 3
T 2	800/1000Hz @ 0.25 sec Alternating	T 17	T 5
T 3	500/1200Hz @ 0.3Hz 0.5 sec Slow Whoop	T 2	T 5
T 4	800/1000Hz @ 1Hz Sweeping	T 6	T 5
T 5	2400Hz Continuous	T 3	T 20
T 6	2400/2900Hz @ 7Hz Sweeping	T 7	T 5
T 7	2400/2900Hz @ 1Hz Sweeping	T 10	T 5
T 8	500/1200/500Hz @ 0.3Hz Sweeping	T 2	T 5
T 9	1200/500Hz @ 1Hz - DIN / PFEER P.T.A.P.	T 15	T 2
T 10	2400/2900Hz @ 2Hz Alternating	T 7	T 5
T 11	1000Hz @ 1Hz Intermittent	T 2	T 5
T 12	800/1000Hz @ 0.875Hz Alternating	T 4	T 5
T 13	2400Hz @ 1Hz Intermittent	T 15	T 5
T 14	800Hz 0.25sec on, 1 sec off Intermittent	T 4	T 5
T 15	800Hz Continuous	T 2	T 5
T 16	660Hz 150mS on, 150mS off Intermittent	T 18	T 5
T 17	544Hz (100mS)/440Hz (400mS) - NF S 32-001	T 2	T 27
T 18	660Hz 1.8sec on, 1.8sec off Intermittent	T 2	T 5
T 19	1.4KHz-1.6KHz 1s, 1.6KHz-1.4KHz 0.5s -NFC48-265	T 2	T 5
T 20	660Hz Continuous	T 2	T 5
T 21	554Hz/440Hz @ 1Hz Alternating	T 2	T 5
T 22	544Hz @ 0.875 sec. Intermittent	T 2	T 5
T 23	800Hz @ 2Hz Intermittent	T 6	T 5
T 24	800/1000Hz @ 50Hz Sweeping	T 29	T 5
T 25	2400/2900Hz @ 50Hz Sweeping	T 29	T 5
T 26	Bell	T 2	T 15
T 27	554Hz Continuous	T 26	T 5
T 28	440Hz Continuous	T 2	T 5
T 29	800/1000Hz @ 7Hz Sweeping	T 7	T 5
T 30	300Hz Continuous	T 2	T 5
T 31	660/1200Hz @ 1Hz Sweeping	T 26	T 5
T 32	Two T chime.	T 26	T 15