

1

# SPECTRA B300FLH

Flashing Beacon  
 G6,35/GY6,35 Halogen bulb  
 Three selectable frequencies on PCB  
 IP Rating: IP65  
 Temp: -25°C to +50°C  
 Unit weight: 279g  
 CE

Dimensions : Ø100 x 150mm  
 1.5mm<sup>2</sup> terminals  
 Cable entry: 1 x 5-7mm push through  
 grommet  
 1 x M20 cable entry (IP65)

Order code      Voltage  
 B300FLH012B/x 12V DC 1.7A  
 B300FLH024B/x 24V DC 1.0A

x = Lens colour  
 R = Red                      A = Amber  
 B = Blue                    C = Clear  
 G = Green                  Y = Yellow

B300FLH115B/x 115V AC 208mA  
 B300FLH230B/x 230V AC 116mA  
 Mountings  
 B300RAB001 Right angle bracket  
 B300TMA001 Tube mounting assembly

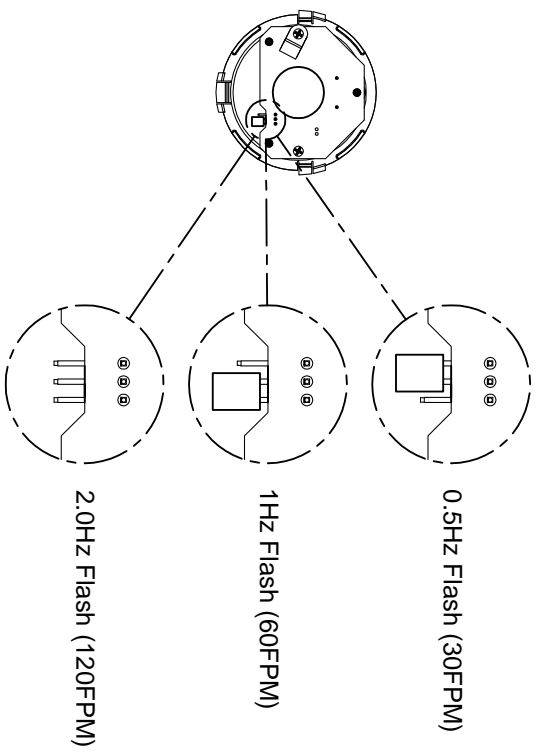
Bulb Type G6,35 / GY6,35  
 E2S Part No.                      Version  
 BJ2012VCL                      12V 20W  
 BJ2024VCL                      24V 20W  
 BJ25120VCL                    115V 20W  
 BJ25230VCL                    230V 20W

Tel : +44 (0)20 8743 8880 Fax : +44 (0)20 8740 4200  
 email : sales@e2s.com web : www.e2s.com



3

## B300FLH



2

**ATTENTION:** Installation must be carried out by an electrician in compliance with the latest codes and regulations.

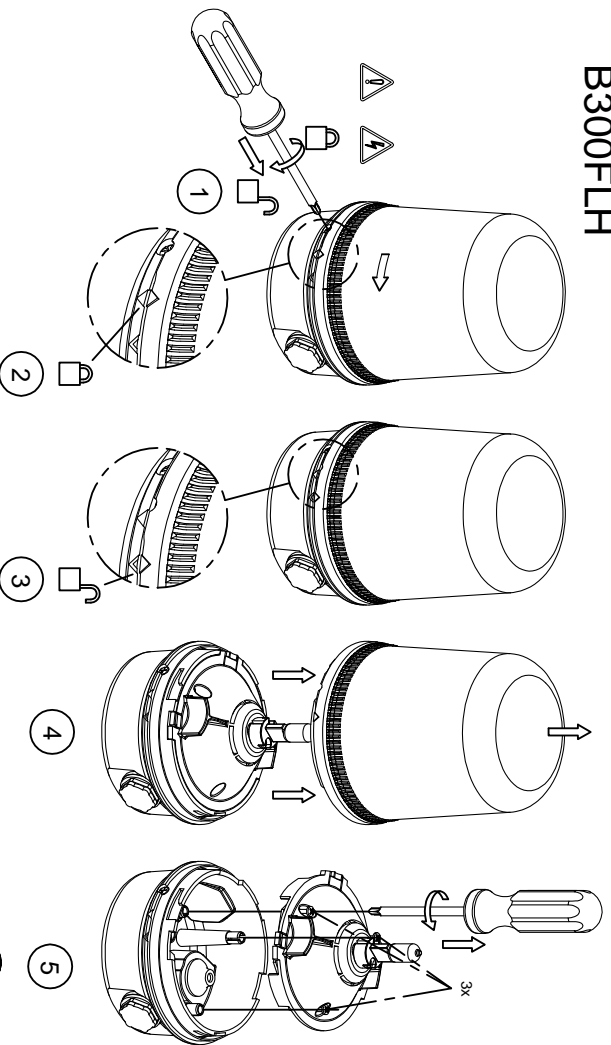
**ATTENTION:** Disconnect from power source before installation or service to prevent electric shock.

**ATTENTION:** Lens on unit will be hot allow to cool prior to removal.

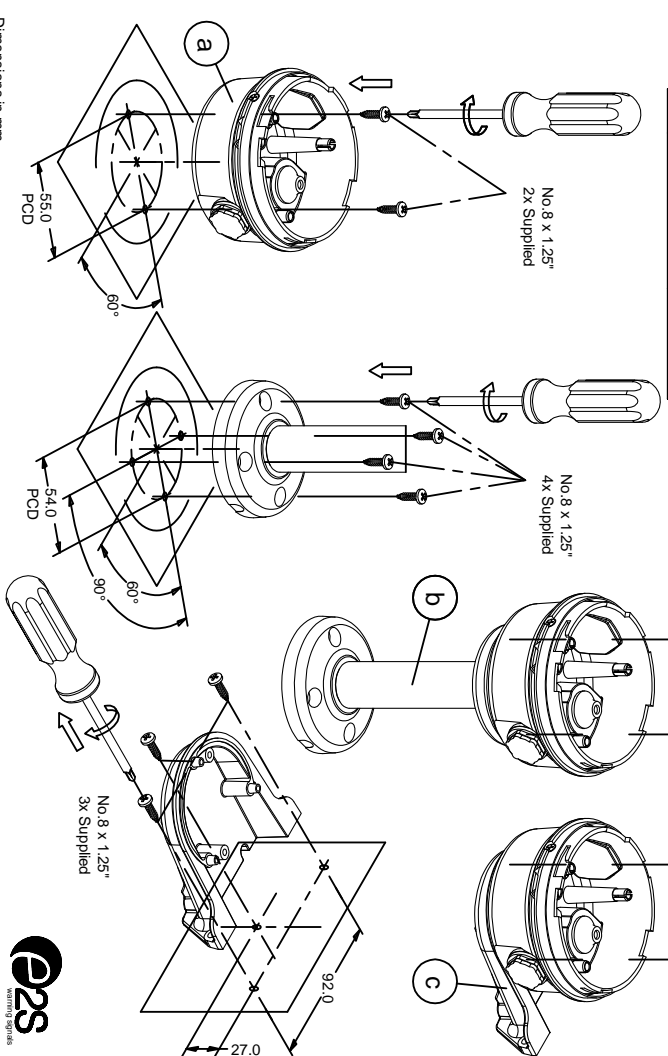
**ATTENTION:** Do not touch the surface of halogen bulb when changing



# A SPECIIRA B300FLH



MOUNTING OPTIONS	
a	STANDARD BASE
b	POLE MOUNT
c	90° BRACKET

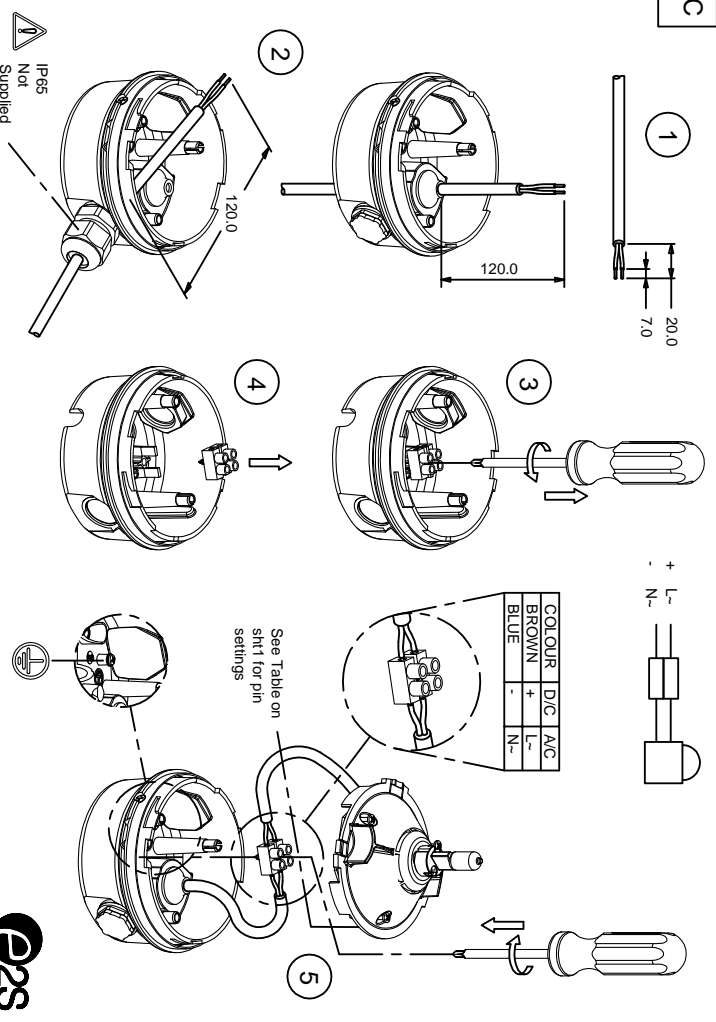


Tel: +44 (0)20 8743 8880 Fax: +44 (0)20 8740 4200  
 Mail: sales@e2s.com Web: www.e2s.com

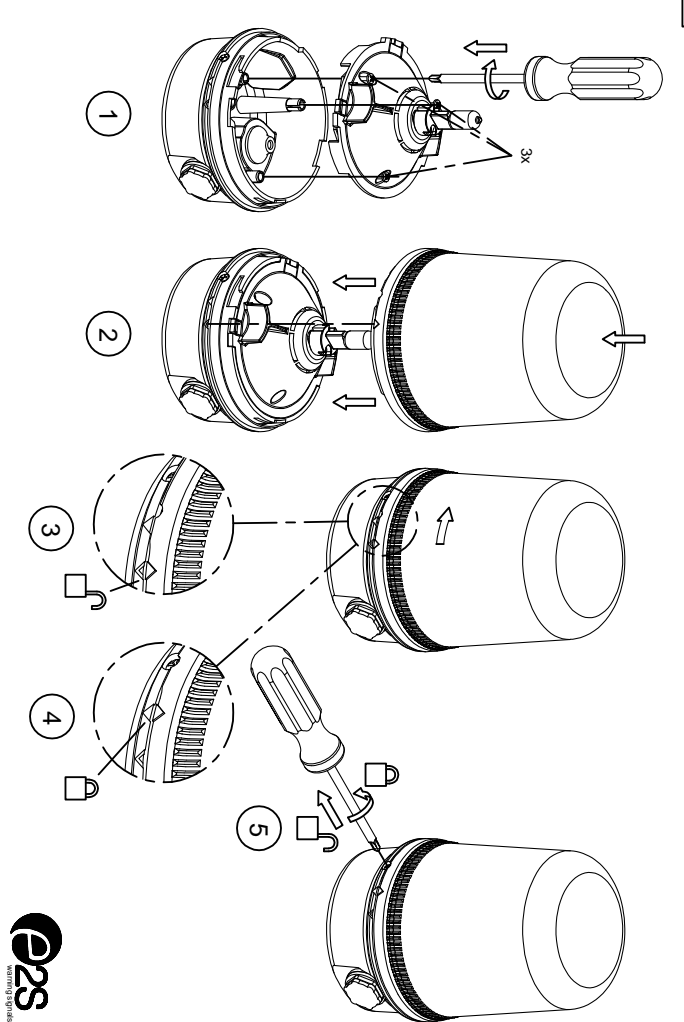


Dimensions in mm

## C



## D



01-11-00-001-15-SHTZ-ISSUE\_B