

SPECTRA B400SLF

Permanent Status Beacon
E14 Filament bulb
IP Rating: IP65
Temp: -25°C to +50°C
Unit weight: 510g
CE

Dimensions : Ø140 x 225mm
1.5mm² terminals
Cable entry: 1 x 5-7mm push through
grommet
2 x M20 cable entry (IP65)

Order code Voltage
B400SLF250B/x 12-250V
x = Lens colour
R = Red A = Amber
B = Blue C = Clear
G = Green Y = Yellow

Mountings
B400RAB001 Right angle bracket
B400TMA001 Tube mounting assembly
B400SLF unit is supplied without a bulb
Please order correct voltage and wattage


Bulb Type E14
E2S Part No. Version
BG351240E 12V 40W
BG352440E 24V 40W
B457513040E 115V 40W
B457523040E 230V 40W

Tel : +44 (0)20 8743 8880 Fax : +44 (0)20 8740 4200
Email : sales@e2s.com Web : www.e2s.com



 **ATTENTION:** Installation must be carried out by an electrician in compliance with the latest codes and regulations.

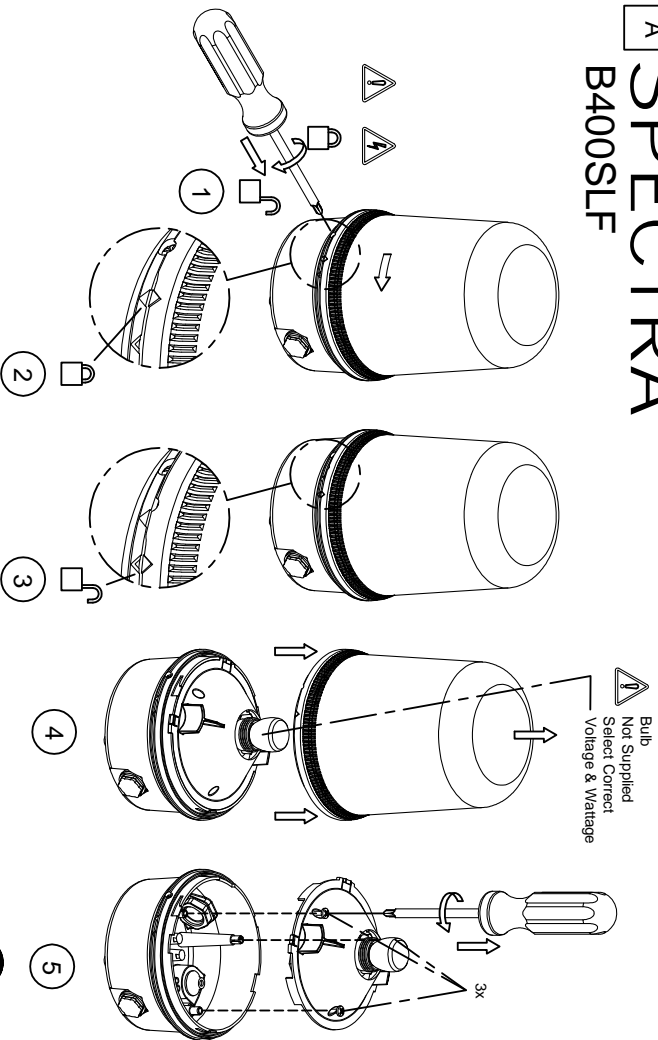
 **ATTENTION:** Disconnect from power source before installation or service to prevent electric shock.

 **ATTENTION:** Lens on unit will be hot allow to cool prior to removal.



A SPECIIRA

B400SLF



Bulb Not Supplied
Select Correct
Voltage & Wattage

Tel : +44 (0)20 8743 8880 Fax : +44 (0)2 8740 4200
 Mail : sales@e2s.com Web : www.e2s.com



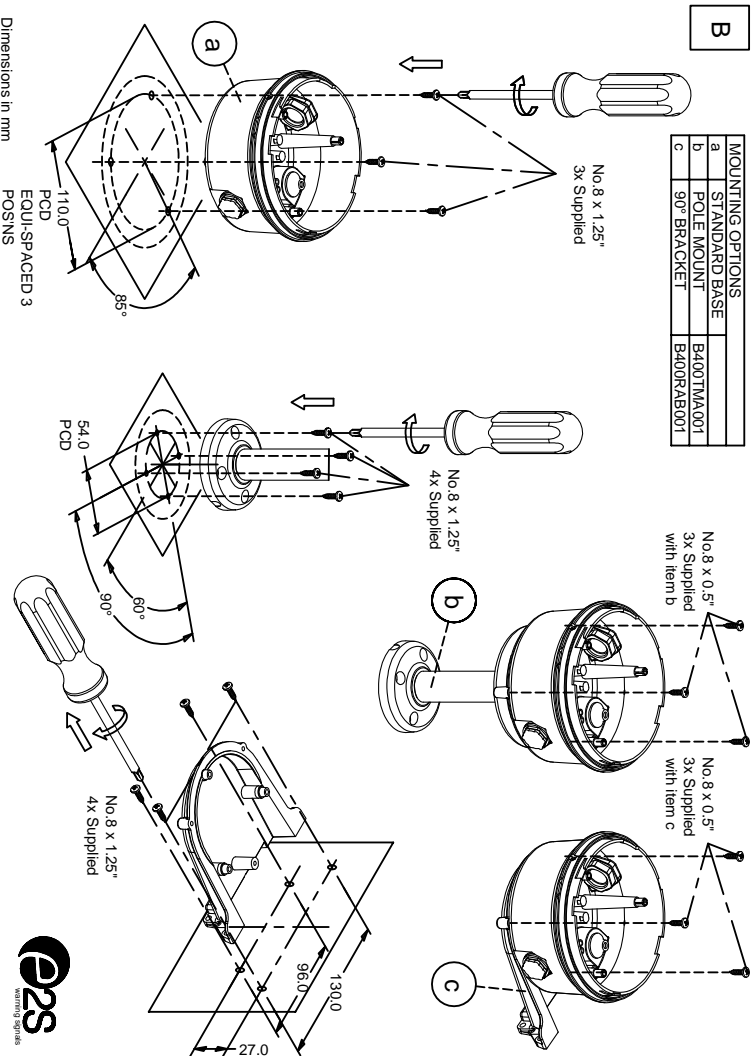
MOUNTING OPTIONS		
a	STANDARD BASE	B400TMA001
b	POLE MOUNT	B400RAB001
c	90° BRACKET	

No 8 x 1,25"
3x Supplied

No 8 x 1,25"
4x Supplied

No 8 x 0,5"
3x Supplied
with item b

No 8 x 0,5"
3x Supplied
with item c

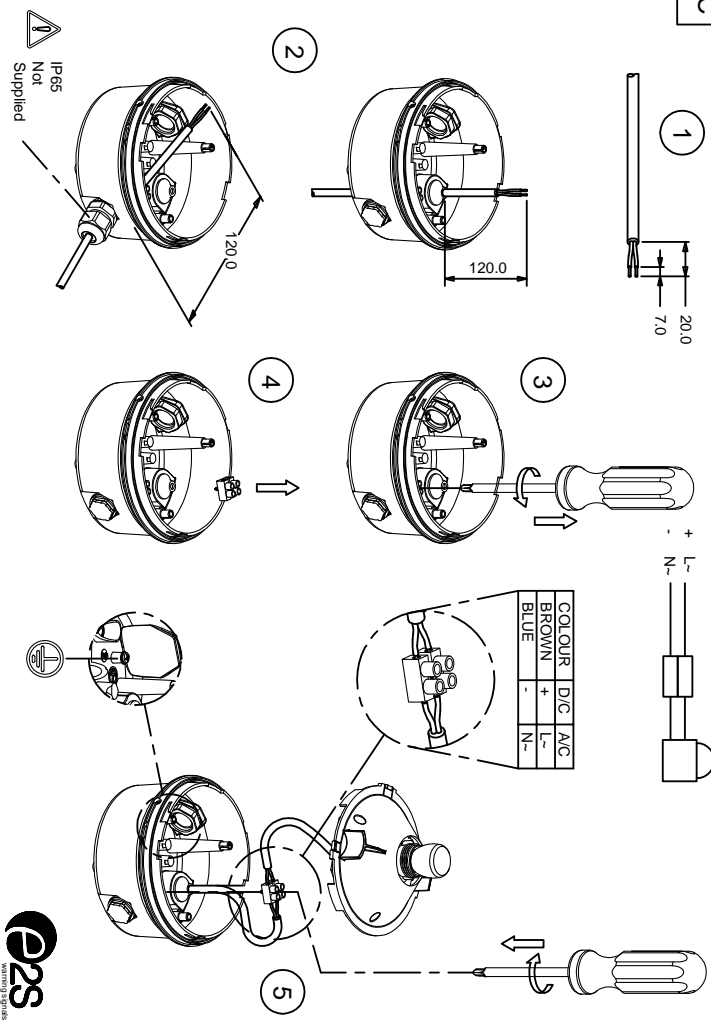


Dimensions in mm

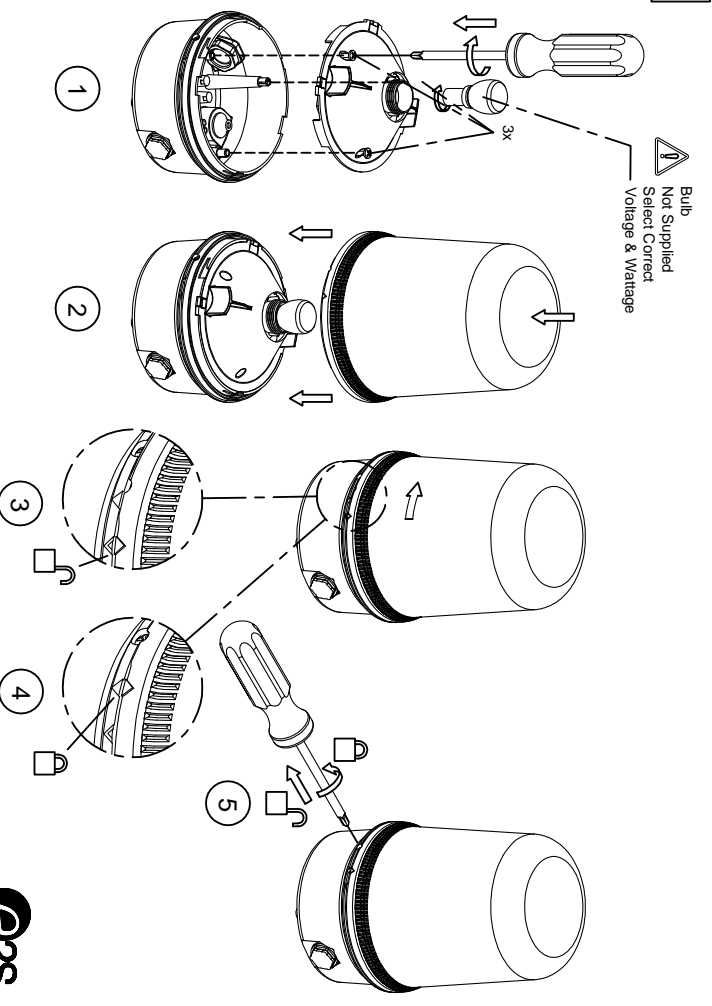
PCD
EQUI-SPACED 3
POSNS



C



D



0129-00-101-HS-SHTZ-ISSUE_B

