

1

SPECTRA B400SND

Sounder
 110 dB(A) Output Sounder
 IP Rating: IP65
 Temp: -25°C to +50°C
 Unit weight: 460g
 CE

Dimensions : Ø140 x 120mm
 2.5mm² terminals
 Cable entry: 1 x 5-7mm push through
 grommet
 2 x M20 cable entry (IP65)

Order code Voltage Current
 B400SND030G 10-30V DC/AC 105mA (24V DC)
 B400SND230G 40-260V DC/AC 68mA (48V AC 50Hz)

Multi-unit connection possible using connector supplied
 B450 and B350 units are Interconnectable

Tel : +44 (0)20 8743 8880 Fax : +44 (0)20 8740 4200
 email : sales@e2s.com web : www.e2s.com



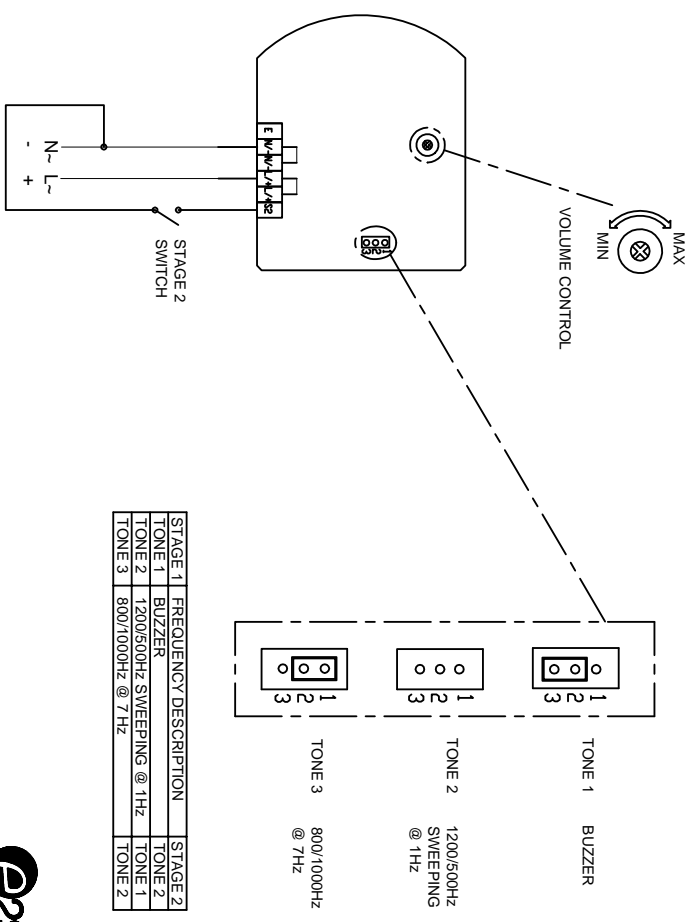
2

ATTENTION: Installation must be carried out by an electrician in compliance with the latest codes and regulations.

ATTENTION: Disconnect from power source before installation or service to prevent electric shock.

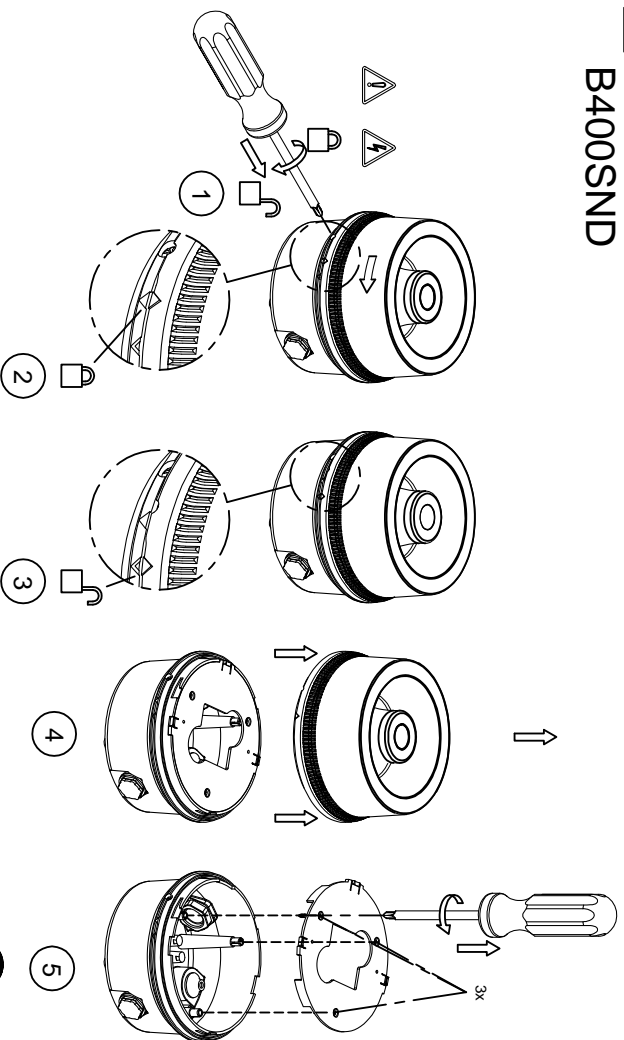


3



A SPECIIRA

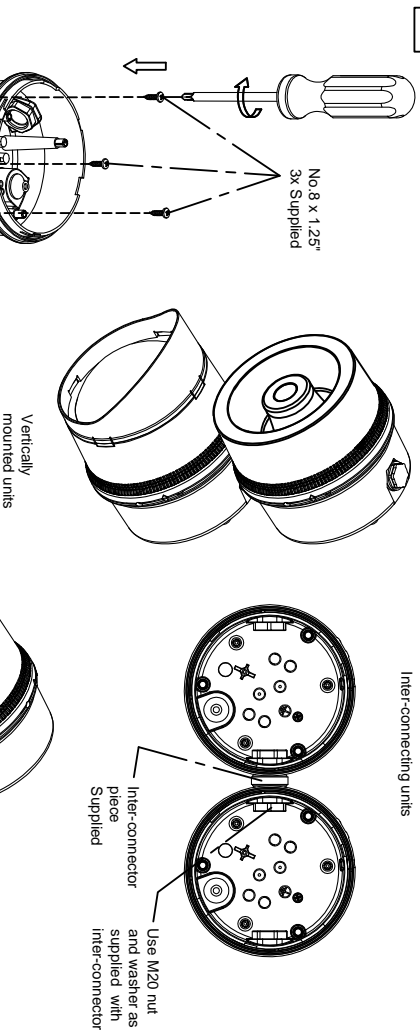
B400SND



Tel : +44 (0)20 8743 8880 Fax : +44 (0)2 8740 4200
 Mail : sales@e2s.com Web : www.e2s.com



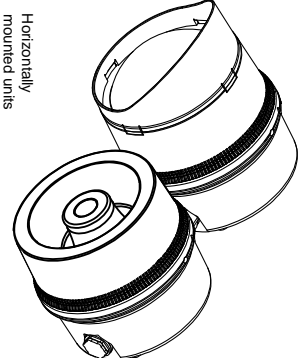
B



Dimensions in mm

PCD
EQUI-SPACED 3
POS NS

Vertically
mounted units



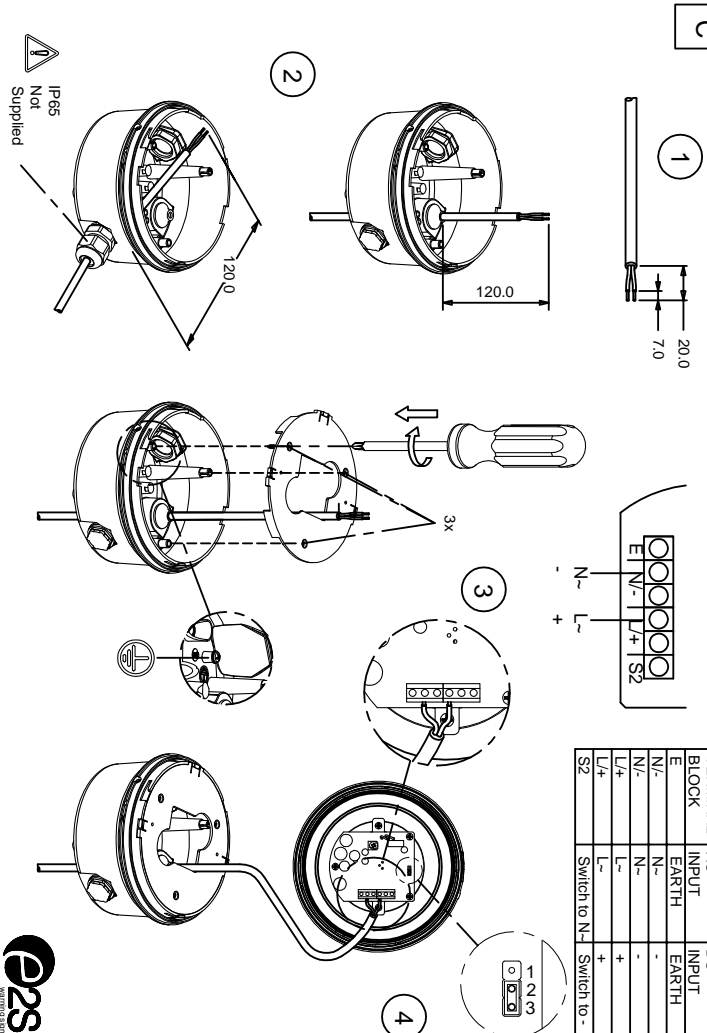
Horizontally
mounted units

Use M20 nut
and washer as
supplied with
inter-connector

Inter-connector
piece
Supplied



C



20.0
7.0

2

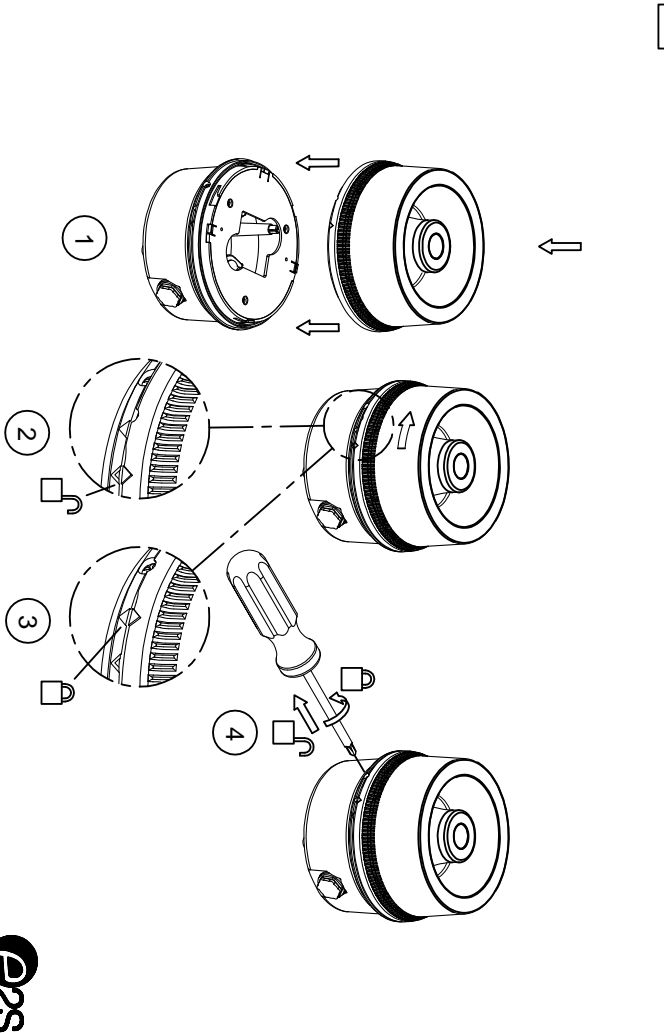
3x

1 N C 0

TERMINAL BLOCK	AC INPUT	DC INPUT
E	EARTH	EARTH
N-	N-	-
N+	N+	+
L+	L+	+
S2	Switch to N-	Switch to -



D



0129-00-001-NS-SHTZ_ISSUE_1

