

BExCTS110-05/BExDCTS110-05 Combination Horn & Strobe

The BExCTS110-05D is a flameproof telephone initiated combined alarm horn sounder and Xenon strobe beacon which is certified to meet the requirements of the ATEX directive 94/9/EC and the IECEx Scheme. The sounder / beacon produces a loud audible signal and a visual signal, when triggered by a telephone ringing signal and can be used in hazardous areas where potentially flammable atmospheres may be present.

Thirty two different sounds can be selected by internal switches, (see tone table on Page 5). The sounder produces output levels in the 110dB(A) range and the beacon produces an output level of 5 joules. The unit can be used in Zone 1 and Zone 2 areas with gases in groups IIA and IIB and with Temperature Classifications of T1, T2, T3, and T4.

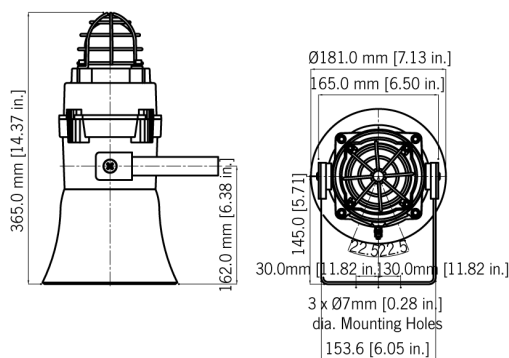
Features

- The sounder and beacon can be set individually to either run continuously or pulsed at the cadence of the ringing tone.
- Xenon tubes mechanically secured against shock & vibration
- Ratchet adjustable stainless steel 'U' bracket.

Approvals

- ATEX certificate: KEMA 01ATEX2223X, EN 60079-0 : 2006, EN 60079-1 : 2007, EN 61241-0 : 2006, EN 61241-1 : 2004
- IECEx certificate: IECEx KEM 10.0025, IEC 60079-0 : 2004 (Ed4), IEC 60079-1 : 2007 (Ed6), IEC 61241-0 : 2004 (Ed1), IEC 61241-1 : 2004 (Ed1)
- GOST-R certificate: POCC GB.JB05.B03365





Specification

Sounder/Horn:

Maximum output:	117dB(A) @ 1 metre [108dB(A) @ 10ft/3m]
Nominal output:	110dB(A) @ 1m +/- 3dB - Tone 2 [101dB(A) @ 10ft/3m]
No. of tones:	32 (UKOOA / PFEER compliant)
Volume control:	Max. 110dB(A); Min. 72 dB(A) - Tone 2
Effective range:	100m/328ft @ 1KHz
Voltages DC:	12vdc; 24vdc; 48vdc
Voltages AC:	115vac; 230vac

Beacon:

Energy:	5 Joules (5Ws)
Flash rate:	1Hz (60 fpm)
Peak Candela:	500,000 cd - calculated from energy (J)
Effective Intensity cd:	250 cd - calculated from energy (J)
Peak Candela:	34,812 cd* - measured ref. to I.E.S.
Effective Intensity cd:	105 cd* - measured ref. to I.E.S.
Lens colours:	Amber, Blue, Clear, Green, Red & Yellow
Tube life:	Emissions are reduced to 70% after 8 million flashes

General:

Ingress protection:	IP66/67
Housing material:	Marine grade copper free LM6 Aluminium
Housing finish:	Phosphated & powder coated
BExCTS110-05 flare:	High impact UL94 V0 & 5VA FR ABS (Red)
BExDTCS110-05 flare:	Anti-Static High impact ABS (Black)
Cable entries:	Dual M20 ISO (one stopping plug included)
Terminals:	0.5 - 2.5mm ²
Weight:	DC: 4.80kg/10.56lbs AC: 5.00kg/11lbs

Part Codes

Part Code: Classification:

BExCTS11005D[xx]-[yy]

ATEX / IECEx:
II 2G Ex d IIB T4 Ta. -50° to +70°C
GOST-R:
1ExdIIBT4 Ta. -50° to +55°C

BExDCTS11005D[xx]-[yy]

ATEX / IECEx:
II 2G Ex d IIB T4 Ta. -50°C to. +70°C
II 2D Ex tD A21 IP67 T115°C
based on max Ta. of +70°C
GOST-R:
1ExdIIBT4 Ta. -50° to +55°C
DIP A21 Ta T5

[xx] = Voltage reference:

Options: 12DC, 24DC, 48DC, 115AC, 230AC

[yy] = Lens colour reference:

Options: AM: Amber, BL: Blue, CL: Clear, GN: Green, RD: Red, YW: Yellow

Current Consumption

Version:	Alarm Sounder		Xenon Beacon	
	Voltage:	Current:	Voltage:	Current:
12V dc	+/-25%	195mA	10-14V	750mA
24V dc	+/-25%	265mA	20-28V	300mA
48V dc	+/-25%	130mA	42-54V	180mA
115V ac 50/60Hz		+/-10%	110mA	+/-10% 140mA
230V ac 50/60Hz		+/-10%	56mA	+/-10% 55mA

Tone table

S 1 Description

T 1	Continuous 1000Hz Toxic Gas Alarm
T 2	Alternating 800/1000Hz at 0.25s intervals
T 3	Slow Whoop 500/1200Hz at 0.3Hz with 0.5s gap ...
T 4	Sweeping 800/1000 at 1Hz
T 5	Continuous at 2400Hz
T 6	Sweeping 2400/2900Hz at 7Hz
T 7	Sweeping 2400/2900Hz at 1Hz
T 8	Siren 500/1200/500Hz at 0.3Hz
T 9	Sawtooth 1200/500Hz at 1Hz
T 10	Alternating 2400/2900Hz at 2Hz
T 11	Intermittent 1000Hz at 0.5Hz General alarm
T 12	Alternating 800/1000Hz at 0.875Hz
T 13	Intermittent 2400Hz at 1Hz
T 14	Intermittent 800Hz 0.25s on 1s off
T 15	Continuous at 800Hz
T 16	Intermittent 660Hz 150mS on, 150mS off
T 17	Alternating 544Hz (100mS)/440Hz(400mS)
T 18	Intermittent 660Hz 1.8s on, 1.8s off
T 19	1400Hz to 1600Hz sweep up over 1s -1600Hz to ...
T 20	Continuous 660Hz
T 21	Alternating 554/440Hz at 1Hz
T 22	Intermittent 554Hz at 0.875Hz
T 23	800Hz pulsing at 2Hz
T 24	Sweeping 800/1000Hz at 50Hz
T 25	Sweeping 2400/2900Hz at 50Hz
T 26	Simulated bell sound
T 27	Continuous 554Hz
T 28	Continuous 440Hz
T 29	Sweeping 800/1000Hz at 7Hz
T 30	420Hz repeating 0.625s on, 0.625s off Austral...
T 31	1200/500Hz at 1 Hz Prepare to Abandon Platform
T 32	Sweeping 500/1200Hz 3.75s on, 0.25s off 15Hz

Authorized Distributor:
GasDetectorsUSA.com
Houston, TX USA
832-615-3588
sales@GasDetectorsUSA.com