

E2xL15 PA Loudspeakers 15W

The hazardous area E2xL15 PA loudspeaker is UL/cULs approved for Class I Div 2 and Class II Div 2 as well as IECEx and ATEX certified for Zone 2 and 22 applications.

The E2xL15 is available with either a 70V or 100V line transformer or as a low impedance loudspeaker.

The E2x range features enclosures manufactured from lightweight, corrosion proof PPS and high impact, fire retardant ABS re-entrant flare horns; both of which are suitable for the harshest of environments.

Features

- Very large termination area.
- Ratchet adjustable stainless steel 'U' bracket.
- Transformer type fitted with thermal fuse
- Complies with BS5839 part 8

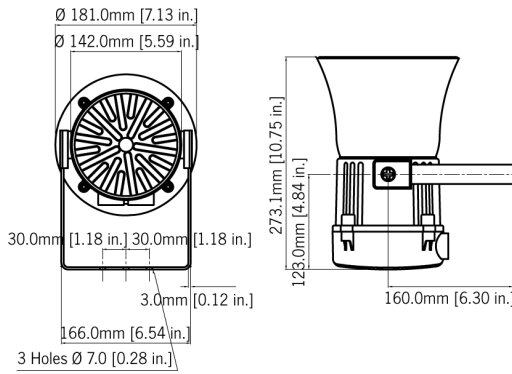
Approvals

- ATEX certificate: DEMKO 06 ATEX 0421554X,
EN60079-0:2012+A11:2013,
EN60079-15:2010,
EN60079-31:2014
- IECEx certificate: IECEx ULD 14.0012X,
IEC 60079-0:2011,
IEC 60079-15:2010,
IEC 60079-31:2013
- UL File ref: E230764



AUTHORIZED DISTRIBUTOR:
InstrumentsAndControl.com
Houston, Texas USA
sales@InstrumentsAndControl.com
832-615-3588





Specification

SPL:	108dB +/-3dB @ 1w @ 1m (Pink noise) 118dB +/-3dB @ 15w @ 1m (Rated)
Rated power:	15 Watts RMS
70v line tapings:	15w / 7.5w / 3w / 1w (z=336.67 Ohms / 653.33 Ohms / 1.6k Ohms / 4.9k Ohms)
100v line tapings:	15w / 7.5w / 3w / 1w (z=666.87 Ohms / 1.34k Ohms / 3.34k Ohms / 10k Ohms)
Low impedance:	8 Ohm (I/P: 10.95V) -or 16 Ohm (I/P: 15.49V)
Dispersion:	120° @ 1kHz & 32° @ 4kHz
Frequency range:	400Hz to 8000 Hz
DC Line monitoring:	2.2µF Capacitor (Transformer version)
Ingress protection:	IECEX/ATEX: IP66 & IP67 UL: Type 4, 4X & 13
Housing material:	UL94V0 PPS & ABS
Cable entries:	Dual M20x1.5 or 1/2"NPT
Terminals:	0.5 to 2.5mm ² - In & I/O
Weight:	Low impedance: 2.5kg/5.5lbs -Transformer: 3.00kg/6.6lbs

*SPL data +/-3dB(A). Measured at optimum voltage.

Classification:

UL/cULs:	Class I, Div 2, ABCD T4 (135°C) at +55°C Class I, Div 2, ABCD T4A (120°C) at +40°C Class II, Div 2, FG T6 (85°C) at +55°C Class III, Div 1&2, T6 (85°C) at +55°C
IECEX/ATEX:	II 3G Ex nA IIC T4 Gc Ta. -20°C to +55°C II 3D Ex tc IIIC T85°C Dc Ta. -20°C to +55°C IP64

Part Codes

Part Code:	Ident.:	Description:
Product type:	E2xL15	
Flare type:	F	Flare Horn
Voltage:	V100 V070 R008 R016	100V Line 70V Line 8 Ohm Low impedance 16 Ohm Low impedance
Cable entries:	A B C	M20x1.5 & 1/2" NPT M20x1.5 & M20x1.5 1/2" NPT & 1/2" NPT
Bracket:	1 2	304 (A2) Stainless Steel 316 (A4) Stainless Steel
Approvals:	A1	UL, cULs, IECEx & ATEX
Enclosure:	B	Black
e.g. E2xL15FV100A1A1B		E2x L15 PA Loudspeaker with flare horn. 100V line transformer with one M20 cable entry and one 1/2"NPT entry. Approved to IECEx, ATEX & UL. Black enclosure.