

H110T Signalling Horn with Trumpet

The H110T is a very high output electronic signal horn capable of generating a traditional 'buzzer' warning tone traditionally associated with electro-mechanical signals.

With an output of 110dB(A) the H110T is ideal for all general signalling applications and the ingress protection rating of IP65 means it is suitable for indoor and outdoor installations. In addition to the 'buzzer' type sound the unit features a further two alarm tones. The first stage sounds also have a remotely selectable second stage.

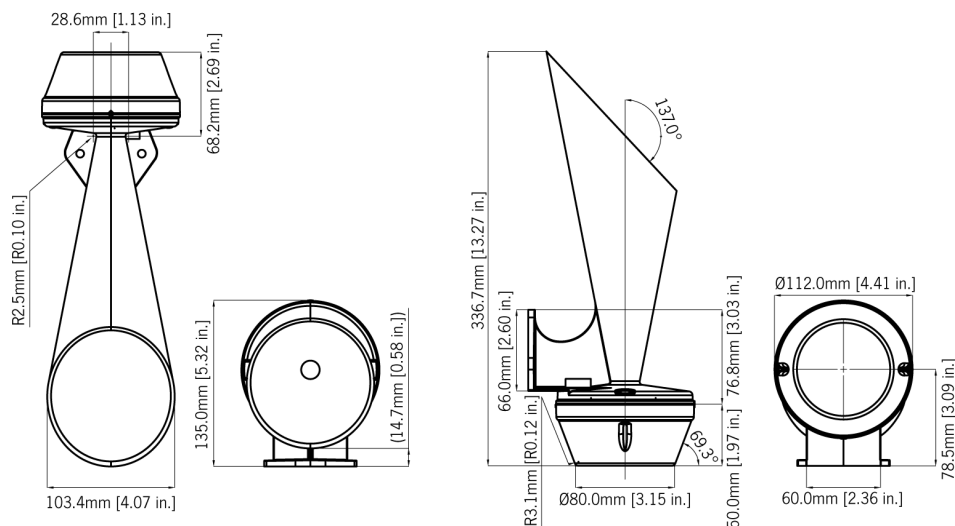
Features

- Volume control
- Stainless steel fixings.

Approvals

- GOST-R approved. Cert: POCC GB.JB05.H00144.





Specification

No. of tones:	3
Output:	110 dB(A) @ 1m [101dB(A) @ 10ft/3m]
Stages:	Remotely selectable second stage
Stage switching:	DC voltage via negative AC voltage via live supply
Mounting:	Surface mount
Entries:	1 x 5-7mm push through grommet
Dimensions:	336.7 x 135 mm
Ingress protection:	IP65
Housing material:	High impact ABS (UL94V0 & 5VA)
Terminals:	0.5 to 1.5mm ²
Operating temp:	-25 to +50°C [-13° to +122°F]
Storage temp:	-40 to +70°C [-40° to +158°F]
Relative humidity:	90% at 20°C [68°F]
Weight:	341g/0.75lbs
*SPL data +/-3dB(A). Measured at optimum voltage.	

Part Codes

Version:	Part code:
10-30V ac/dc	H110T030G
40-260V ac/dc	H110T230G

Current Consumption

Version:	Voltage:	Current:
10-30V dc/ac	12V dc	52mA
10-30V dc/ac	24V dc	105mA
40-260V dc/ac	48V dc	42mA
10-30V dc/ac	12V ac 50/60Hz	115mA
10-30V dc/ac	24V ac 50Hz	215mA
40-260V dc/ac	48V ac 50/60Hz	68mA
40-260V dc/ac	115V dc	16mA
40-260V dc/ac	230V dc	8mA
40-260V dc/ac	115V ac 50/60Hz	36mA
40-260V dc/ac	230V ac 50/60Hz	18mA

Tone table

S 1	Description	S 2
T 1	Electro-mechanical diaphragm horn sound	T 2
T 2	1200/500Hz @ 1Hz - DIN / PFEER P.T.A.P.	T 1
T 3	800/1000Hz @ 7Hz Sweeping	T 2

AUTHORIZED DISTRIBUTOR:
GasDetectorsUSA.com
Houston, Texas USA
sales@GasDetectorsUSA.com
832-615-3588