

ML25 PA Horn Loudspeaker

The ML25 25W PA loudspeaker features a robust, fire retardant, IP66 & IP67 housing; suitable for harsh environments with high ambient noise levels.

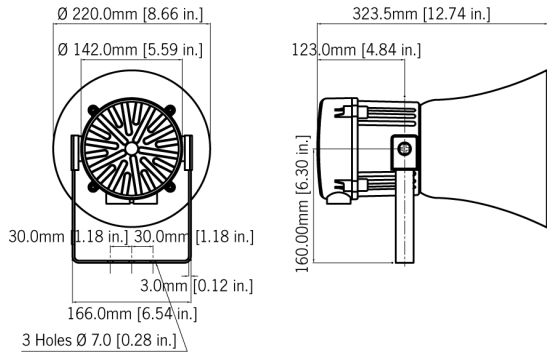
Features

- Continuously rated.
- Large termination area.
- Stainless steel fixings.
- Ratchet adjustable stainless steel 'U' bracket for 360° positioning.
- Duplicate cable terminations (in & out for daisy-chain installations).
- Tropicalisation available on request.

Approvals

- GOST-R approved. Cert: POCC GB-JB05-H00144





Specification

SPL: 111dB +/-3dB @ 1w @ 1m - Pink noise
121dB +/-3dB @ 25w @ 1m

Rated power: 25 Watts RMS

70v line tapings: 25w / 12.5w / 6w / 2w tapings
(z=196 Ohms/392 Ohms/816.67 Ohms/2.45kOhms)

100v line tapings: 25w / 12.5w / 6w / 2w tapings
(z=400 Ohms / 800 Ohms / 1.67kOhms / 5kOhms)

Low impedance: 8 Ohm or 16 Ohm

Dispersion: 130° @ 1kHz & 32° @ 4kHz

Frequency range: 300Hz to 8000 Hz

DC Line monitoring: 2.2uF Capacitor (Transformer version)
470uF Capacitor (Impedance version)

Ingress protection: IP66 & IP67 (Third party tested)

Housing material: High impact UL94 V0 & 5VA FR ABS

Colour: Grey (RAL7038)

Cable entries: 2 x M20 supplied with 1 blanking plug

Terminals: 0.5 to 4.0mm² cables.

Operating temp: -25 to +55°C [-13° to +131°F]

Storage temp: -40 to +70°C [-40° to +158°F]

Relative humidity: 90% at 20°C [68°F]

Weight: 70/100V line: 3.00kg/6.6lbs
Low impedance: 2.50kg/5.5lbs

*SPL data +/-3dB(A). Measured at optimum voltage.

Part Codes

Version:	Part code:
100V Line	ML25W100V
70V Line	ML25W70V
16 Ohm	ML25W16R
8 Ohm	ML25W8R

AUTHORIZED DISTRIBUTOR:
GasDetectorsUSA.com
Houston, Texas USA
sales@GasDetectorsUSA.com
832-615-3588