

Harsh Industrial & Marine Environments



Features

- IP66 & IP67.
- Operating temperature: -55°C to $+70^{\circ}\text{C}$.
- Corrosion resistant red painted GRP.
- Up to 110 dB(A) output.
- 27 tones, user selectable.
- Tones comply with UKOOA/PFEER guidelines.
- Any two tones may be switched by the external voltage supply (d.c. version).
- Retained stainless steel cover screws.
- Available compliant to AFNOR NF S 32 001.

Introduction

This range of sounders have been specially designed for use in demanding industrial and marine environments where a robust construction and high-ingress protection rating is required.

The body is manufactured completely from a UV stable glass reinforced polyester which is also highly flame retardant and impact resistant. Stainless steel screws are incorporated thus ensuring a corrosion free product.

Cooper MEDC can also provide a range of sounders suitable for use in potentially explosive atmospheres.

For more information please contact Cooper MEDC.

Authorized Distributor:
GasDetectorsUSA.com
Houston, TX USA
832-615-3588
sales@GasDetectorsUSA.com

IP66/67
Weatherproof

Corrosion Free
All GRP



Specification

Material:	UV stable glass reinforced polyester. Retained stainless steel cover screws.
Finish:	Painted red as standard or to customer specification.
Voltage:	d.c. 12V, 24V. a.c. 115/230V.
Current Consumption:	24V operation 55mA - 100mA. 115V operation 8.5mA - 14mA. 12V operation 55mA - 90mA. 230V operation 4.5mA - 7mA.
Operating Temp:	-55°C to +70°C.
Weight:	1.2kg approx. Dependent on model.
Ingress Protection:	IP66 & IP67.
Entries:	Up to 3 x M20 via knockouts.
Terminals:	6 x 2.5mm ² .
Output:	107 ± 3dB(A) at 1 metre. Typical value only – variable with tone.
Labels:	Duty and tag labels optional for details.

Volume Control

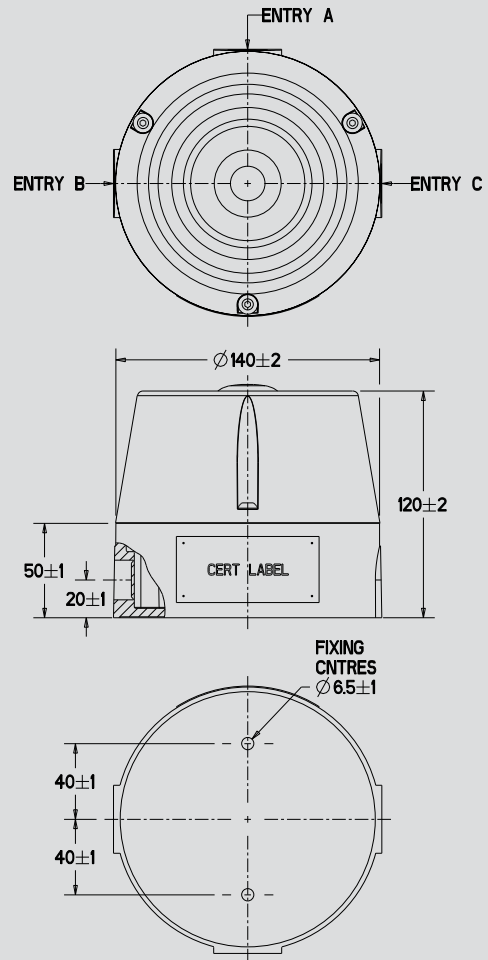
*Nominal Output dB(A)	Input Current mA
92	60
100	70
104	80
109	90

*Output measured with 24V input voltage. Tone set to 2850Hz continuous.

Tone Selection:

Single Stage DB12:	27 user selectable tones available.
DB12P (Two stage unit):	Switchable between any two tones by either: (i) Reversing the polarity of the supply, or (ii) By a 3 wire common +ve system, switching between the two -ve lines.
	Note: Two stage unit available in d.c. versions only.

AFNOR NF S 32 001 compliant version available – contact sales office.



ALL DIMENSIONS IN MILLIMETRES

Ordering Requirements

The following code is designed to help in selection of the correct unit. Build up the reference number by inserting the code for each component into the appropriate box. **Standard products available ex-stock. Please visit www.coopermedc.com for further details.**

Model		Voltage		Labels		Finish	
Model	Details	Voltage	Code	Label	Code	Finish	Code
DB12	Standard Unit	12V d.c.	012	Duty	D*	Red	R
DB12P	Two Stage (d.c. only)	24V d.c.	024	Tag	T*	Special	S*
		115/230V a.c.	115	None	N		

* Please specify wording

* Please specify