

## Exde, Weatherproof



## Features

- Zone 1 & 2 (and Zone 21 & 22 : IIC version) plus non-Ex use
- ATEX Approved II 2G Ex de IIB T3/T4\*
- IIC Gas Group and Dust approved version available.
- BASEEFA certified.
- Brazilian (Inmetro) certified.
- GOST 'R' & 'K' certified.
- IECEx Approved.
- IP66 & IP67.
- Certified temperature:  $-50^{\circ}\text{C}$  to  $+70^{\circ}\text{C}^*$ .
- GRP corrosion-free flamepath.
- 112dB(A) at 8 watts at 1 metre (IIB Version)
- Power tapping via integral transformer.
- Ratcheted swivel mounting stirrup
- Stainless steel fixtures.
- 100V or 70V line and 8 $\Omega$  versions available.
- Earth continuity available.

*\*Temperature class relates to ambient temperature (see over)*

## Introduction

This range of loudspeakers, intended for use in potentially explosive atmospheres, has a power rating of up to 8 Watts and is suitable for use in the harsh environmental conditions found offshore and onshore in the oil, gas and petrochemical industries.

The body and cover are manufactured from a UV stable glass reinforced polyester. The flare is manufactured from UV stable ABS.

Stainless steel screws and mounting stirrup are incorporated to ensure a corrosion-free product.

**Authorized Distributor:**  
**GasDetectorsUSA.com**  
**Houston, TX USA**  
**832-615-3588**  
**sales@GasDetectorsUSA.com**



# Specification

**Certification:** EN60079-0, EN60079-1, EN60079-7  
 IEC60079-0, IEC60079-1, IEC60079-7 and  
 IEC 61241-0, IEC 61241-1  
 IIB Version: ATEX Cert. No. Baseefa05ATEX0198X  
 Ex II 2 G Ex de IIB T3/T4  
 IECEx Cert. No. IECEx BAS 05.0082X  
 Ex de IIB T3/T4  
 IIC Version: ATEX Cert. No. Baseefa05ATEX0199X  
 Ex II 2 GD Ex de IIC T4/T5, Ex tD A21  
 T100°C/T115°C/T130°C  
 IECEx Cert. No. IECEx BAS 05.0083X  
 Ex de IIC T4/T5, Ex tD A21 T100°C/T115°C/T130°C  
 Zone 1 & 2 and Zone 21 & 22  
 \*See Certified temperature below  
 Brazilian (Inmetro) Certified: BR-Ex de IIB T3/T4. BR-Ex de IIC  
 T5/T115°C  
 GOST R Certification: 2Exde IIB T3, 2Exde IIC T4  
 GOST K Certification: Exde IIB T3, Exde IIC T4

**Material:** Body & Cover - UV stable, glass reinforced polyester.  
 Outer flare - UV stable ABS.  
 Mounting stirrup and fixtures in stainless steel.

**Finish:** Natural black or painted or to client's requirements.

**Rated Power:** 8 Watts RMS continuous (at 25°C).

**Output:** IIB version: Maximum output at 1W/1M is 103 dB(A)  
 Maximum output at 4W/1M is 109 dB(A)  
 Maximum output at 8W/1M is 112 dB(A)  
 IIC version: Maximum output at 1W/1M is 100 dB(A)  
 Maximum output at 4W/1M is 106 dB(A)  
 Maximum output at 8W/1M is 109 dB(A)

**Frequency Range:** 400Hz to 7kHz.

**Voice Coil Impedance:** 8 ohms.

**Certified Temp:** IIB version: Tamb -50 °C to +70 °C (T3) and  
 Tamb -50 °C to +40 °C (T4)  
 IIC version: Tamb -50 °C to +70 °C (T4) and  
 Tamb -50 °C to +40 °C (T5)

**Weight:** 1.5kg approx

**Ingress Protection:** IP66

**Entries:** ATEX & IEC 2 x M20 ISO + 1 x certified plug

**Terminals:** 4 x 4.0mm<sup>2</sup>.

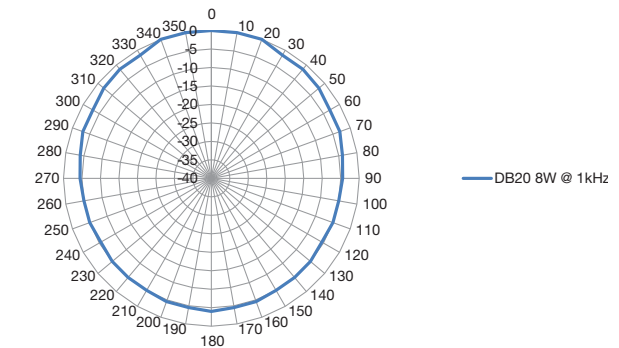
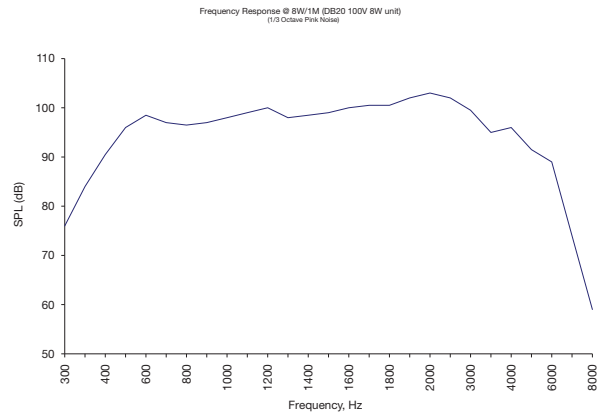
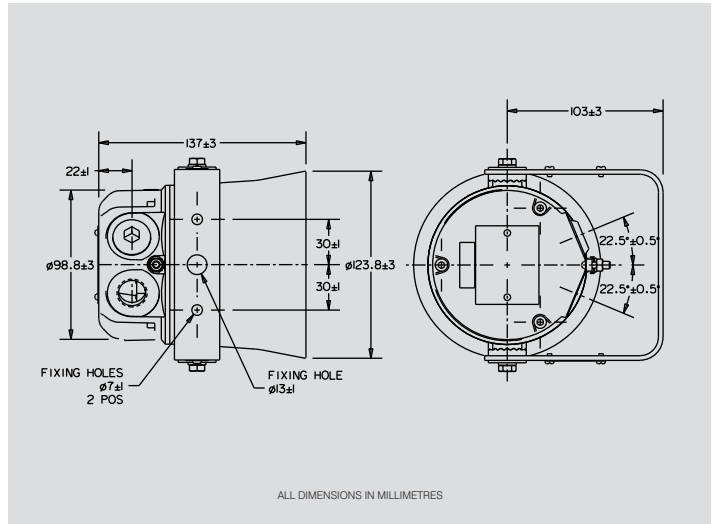
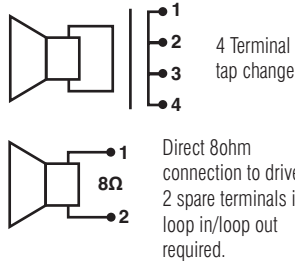
**Mounting:** Via Stirrup with ratchet facility

**Earth Continuity:** Available

**Labels:** Optional stainless steel tag and duty labels.

**Transformer:** Used by combining the rated power tapings below.

Transformer Tappings	Power (Watts)	
	8W unit	4W Unit
1:2	8.00	4.00
2:3	4.00	2.00
3:4	2.00	1.00
1:3	1.50	0.75
2:4	0.75	0.38
1:4	0.40	0.20



## Ordering Requirements

The following code is designed to help in selection of the correct unit. Build up the reference number by inserting the code for each component into the appropriate box.

Model	Certification	Max Rated Power	Transformer	Options	Finish																																																						
DB20																																																											
	<table border="1"> <thead> <tr> <th>Certification</th> <th>Code</th> </tr> </thead> <tbody> <tr><td>ATEX IIB</td><td>BB</td></tr> <tr><td>ATEX IIC</td><td>BC</td></tr> <tr><td>IECEX IIB</td><td>JB</td></tr> <tr><td>IECEX IIC</td><td>JC</td></tr> <tr><td>GOST 'R' IIB</td><td>GB</td></tr> <tr><td>GOST 'R' IIC</td><td>GC</td></tr> <tr><td>GOST 'K' IIB</td><td>KB</td></tr> <tr><td>GOST 'K' IIC</td><td>KC</td></tr> <tr><td>Inmetro IIB</td><td>MB</td></tr> <tr><td>Inmetro IIC</td><td>MC</td></tr> <tr><td>Weatherproof</td><td>W</td></tr> </tbody> </table>	Certification	Code	ATEX IIB	BB	ATEX IIC	BC	IECEX IIB	JB	IECEX IIC	JC	GOST 'R' IIB	GB	GOST 'R' IIC	GC	GOST 'K' IIB	KB	GOST 'K' IIC	KC	Inmetro IIB	MB	Inmetro IIC	MC	Weatherproof	W	<table border="1"> <thead> <tr> <th>Power</th> <th>Code</th> </tr> </thead> <tbody> <tr><td>8 Watts</td><td>8</td></tr> <tr><td>4 Watts</td><td>4</td></tr> </tbody> </table>	Power	Code	8 Watts	8	4 Watts	4	<table border="1"> <thead> <tr> <th>Transformer</th> <th>Code</th> </tr> </thead> <tbody> <tr><td>Transformer</td><td>X*</td></tr> <tr><td>8Ω version</td><td>N</td></tr> </tbody> </table> <p>* ATEX = 100V Line                      70V Line available                      please specify.</p>	Transformer	Code	Transformer	X*	8Ω version	N	<table border="1"> <thead> <tr> <th>Option</th> <th>Code</th> </tr> </thead> <tbody> <tr><td>None</td><td>N</td></tr> <tr><td>Duty label</td><td>D*</td></tr> <tr><td>Tag label</td><td>T*</td></tr> <tr><td>Earth continuity</td><td>E</td></tr> </tbody> </table> <p>* Please specify.</p>	Option	Code	None	N	Duty label	D*	Tag label	T*	Earth continuity	E	<table border="1"> <thead> <tr> <th>Colour</th> <th>Code</th> </tr> </thead> <tbody> <tr><td>Natural Black</td><td>N</td></tr> <tr><td>Red</td><td>R</td></tr> <tr><td>Special</td><td>S*</td></tr> </tbody> </table> <p>* Please specify.</p>	Colour	Code	Natural Black	N	Red	R	Special	S*
Certification	Code																																																										
ATEX IIB	BB																																																										
ATEX IIC	BC																																																										
IECEX IIB	JB																																																										
IECEX IIC	JC																																																										
GOST 'R' IIB	GB																																																										
GOST 'R' IIC	GC																																																										
GOST 'K' IIB	KB																																																										
GOST 'K' IIC	KC																																																										
Inmetro IIB	MB																																																										
Inmetro IIC	MC																																																										
Weatherproof	W																																																										
Power	Code																																																										
8 Watts	8																																																										
4 Watts	4																																																										
Transformer	Code																																																										
Transformer	X*																																																										
8Ω version	N																																																										
Option	Code																																																										
None	N																																																										
Duty label	D*																																																										
Tag label	T*																																																										
Earth continuity	E																																																										
Colour	Code																																																										
Natural Black	N																																																										
Red	R																																																										
Special	S*																																																										