

UL Listed Only, Weatherproof



Introduction

These listed beacons have been designed for use in potentially explosive atmospheres and harsh environmental conditions. The enclosures are suitable for use offshore or onshore, where lightweight combined with corrosion resistance is required.

The housing is manufactured from a U.V. stable, glass reinforced polyester, with the lens manufactured from a U.V. stable polycarbonate. Stainless steel screws are used ensuring a totally corrosion-free product.

The model XB16 contains supervisory diode and four wire leads for fire alarm applications. This beacon is also available UL 1971 (ADA) listed for hearing impaired applications.

Units can be painted to customer specification and supplied with identification labels.

Authorized Distributor:
GasDetectorsUSA.com
Houston, TX USA
832-615-3588
sales@GasDetectorsUSA.com

Features

- UL listed for USA and Canada
 - Hazardous locations for USA and Canada
 - Class I, Div. 2, Groups A, B, C & D*.
 - Class II, Div. 2, Groups F & G.
 - UL 1971 compliant version available†.
 - Ordinary locations: Visual Signal Device
 - 'T' Rating model dependent. Contact sales office for information.
- IP66 & 67.
- Certified temperature: -55°C to +70°C.
- Pipe mount with 3/4" NPT entry.
- Corrosion-free GRP enclosure.
- 580,000 peak candlepower.
- Polycarbonate lens, various colors available†
- 4 Wire diode monitored board.
- Optional relay initiate.
- Optional lens guard.

* Conforms to UL standard or regulated voltage.

† UL 1971 version available with clear lens only.



Specification

Certification: UL Listed for USA and Canada:
 – Hazardous locations for USA and Canada: UL1604.
 Class I, Div 2, Groups A, B, C & D.
 Class II, Div. 2, Groups F & G.
 UL listing No. E251185.
 – Ordinary locations: Visual Signal Device: UL1638.
 UL listing No. E251185.
 – Hazardous locations for hearing impaired: UL1971.
 UL listing No. E251185.

Material: Body: Glass reinforced polyester.
 Lens: U.V. stable polycarbonate.
 Lens screws: stainless steel 316.

Finish: Natural black or painted to customer specification.

Voltage: 24V d.c., 48V d.c.
 110, 120, 230, 240, 254V a.c.
 Conforms to UL regulated voltage output (24Vdc, 120Vac, 240Vac).

Certified Temp: –55°C to +70°C

Tube Energy: 10 Joules.

Tube life: >1 x 10⁶ flashes.

Weight: 1.0kg.

Ingress Protection: IP66 & IP67.

Entries: Standard 1 x 3/4" NPT pipe mount. (Contact MEDC if 1/2" NPT is required)

Terminals: 8 x 2.5mm².

Labels: Tag/Duty label option.

Electrical Ratings:

Voltage	d.c.		a.c.				
	24	48	110	120	230	240	254
Current (A)	0.89	0.30	0.38	0.38	0.22	0.22	0.18

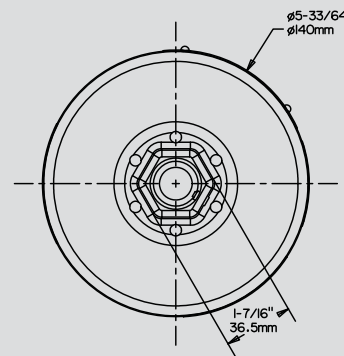
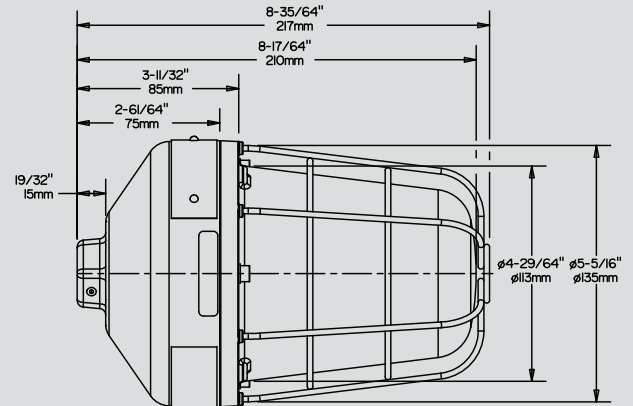
Effective candlepower (Cd): 285 at 60 f.p.m.

Peak candlepower: 580,000 (Peak candlepower is the maximum light intensity generated by a flashing light during its light pulse)

UL 1971 On-axis output: 15 Cd.

Multiplying Factor for Colored Lenses:

Red	Blue	Amber	Green	Yellow
0.15	0.12	0.51	0.49	0.86



ALL DIMENSIONS IN INCHES & MILLIMETERS

Ordering Requirements

The following code is designed to help in selection of the correct unit. Build up the reference number by inserting the code for each component into the appropriate box.

Model	Certification	Voltage	Flashrate	Lens Colour	Lens Guard	Options	Finish																																																																														
XB16	<input type="text"/>	<input type="text"/>	<input type="text"/>	<input type="text"/>	<input type="text"/>	<input type="text"/>	<input type="text"/>																																																																														
	<table border="1"> <thead> <tr> <th>Certification</th> <th>Code</th> </tr> </thead> <tbody> <tr> <td>UL</td> <td>UL</td> </tr> <tr> <td>UL (ordinary location)</td> <td>UW</td> </tr> <tr> <td>UL 1971</td> <td>US</td> </tr> </tbody> </table>	Certification	Code	UL	UL	UL (ordinary location)	UW	UL 1971	US	<table border="1"> <thead> <tr> <th>Voltage</th> <th>Code</th> </tr> </thead> <tbody> <tr> <td>24V d.c.</td> <td>024</td> </tr> <tr> <td>48V d.c.</td> <td>048</td> </tr> <tr> <td>110V a.c.</td> <td>110</td> </tr> <tr> <td>120V a.c.</td> <td>120</td> </tr> <tr> <td>230V a.c.</td> <td>230</td> </tr> <tr> <td>240V a.c.</td> <td>240</td> </tr> <tr> <td>254V a.c.</td> <td>254</td> </tr> </tbody> </table>	Voltage	Code	24V d.c.	024	48V d.c.	048	110V a.c.	110	120V a.c.	120	230V a.c.	230	240V a.c.	240	254V a.c.	254	<table border="1"> <thead> <tr> <th>Flashrate</th> <th>Code</th> </tr> </thead> <tbody> <tr> <td>60 / min</td> <td>60</td> </tr> <tr> <td>80 / min</td> <td>80</td> </tr> <tr> <td>120 / min</td> <td>120</td> </tr> </tbody> </table>	Flashrate	Code	60 / min	60	80 / min	80	120 / min	120	<table border="1"> <thead> <tr> <th>Colour</th> <th>Code</th> </tr> </thead> <tbody> <tr> <td>Red</td> <td>R</td> </tr> <tr> <td>Blue</td> <td>B</td> </tr> <tr> <td>Green</td> <td>G</td> </tr> <tr> <td>Amber</td> <td>A</td> </tr> <tr> <td>Yellow</td> <td>Y</td> </tr> <tr> <td>Clear</td> <td>C*</td> </tr> </tbody> </table>	Colour	Code	Red	R	Blue	B	Green	G	Amber	A	Yellow	Y	Clear	C*	<table border="1"> <thead> <tr> <th>Guard</th> <th>Code</th> </tr> </thead> <tbody> <tr> <td>Yes</td> <td>Y</td> </tr> <tr> <td>None</td> <td>N</td> </tr> </tbody> </table>	Guard	Code	Yes	Y	None	N	<table border="1"> <thead> <tr> <th>Option</th> <th>Code</th> </tr> </thead> <tbody> <tr> <td>Tag label</td> <td>T*</td> </tr> <tr> <td>Duty label</td> <td>D*</td> </tr> <tr> <td>Relay initiate</td> <td>R†</td> </tr> <tr> <td>None</td> <td>N</td> </tr> </tbody> </table> <p>* Please specify † Suitable for 24V d.c. supplies only.</p>	Option	Code	Tag label	T*	Duty label	D*	Relay initiate	R†	None	N	<table border="1"> <thead> <tr> <th>Finish</th> <th>Code</th> </tr> </thead> <tbody> <tr> <td>Natural Black</td> <td>N</td> </tr> <tr> <td>Red</td> <td>R</td> </tr> <tr> <td>Blue</td> <td>B</td> </tr> <tr> <td>Yellow</td> <td>Y</td> </tr> <tr> <td>Green</td> <td>G</td> </tr> <tr> <td>White</td> <td>W</td> </tr> <tr> <td>Special</td> <td>S*</td> </tr> </tbody> </table> <p>* Please specify</p>	Finish	Code	Natural Black	N	Red	R	Blue	B	Yellow	Y	Green	G	White	W	Special	S*
Certification	Code																																																																																				
UL	UL																																																																																				
UL (ordinary location)	UW																																																																																				
UL 1971	US																																																																																				
Voltage	Code																																																																																				
24V d.c.	024																																																																																				
48V d.c.	048																																																																																				
110V a.c.	110																																																																																				
120V a.c.	120																																																																																				
230V a.c.	230																																																																																				
240V a.c.	240																																																																																				
254V a.c.	254																																																																																				
Flashrate	Code																																																																																				
60 / min	60																																																																																				
80 / min	80																																																																																				
120 / min	120																																																																																				
Colour	Code																																																																																				
Red	R																																																																																				
Blue	B																																																																																				
Green	G																																																																																				
Amber	A																																																																																				
Yellow	Y																																																																																				
Clear	C*																																																																																				
Guard	Code																																																																																				
Yes	Y																																																																																				
None	N																																																																																				
Option	Code																																																																																				
Tag label	T*																																																																																				
Duty label	D*																																																																																				
Relay initiate	R†																																																																																				
None	N																																																																																				
Finish	Code																																																																																				
Natural Black	N																																																																																				
Red	R																																																																																				
Blue	B																																																																																				
Yellow	Y																																																																																				
Green	G																																																																																				
White	W																																																																																				
Special	S*																																																																																				

* UL 1971 version available with clear lens only.