

Macurco™ Oxygen Detector OX-6

MACURCO
GAS DETECTION



**AUTHORIZED
DISTRIBUTOR:**
GasDetectorsUSA.com
Houston, Texas USA
sales@GasDetectorsUSA.com
832-615-3588



Detector, Controller and Transducer

Oxygen Detection and Control

The Macurco OX-6 is a low voltage, dual relay Oxygen (O₂) detector, controller and transducer. The OX-6 has selectable 4-20 mA output, buzzer and digital display options. It is an electronic detection system used to measure the concentration of Oxygen and provide feedback and automatic exhaust fan control to help maintain appropriate Oxygen concentrations in commercial applications. The OX-6 is a low level meter capable of detecting from 0-25% by volume of Oxygen.

Selectable options include:

- Fan relay actuation: selectable at 18, 18.1... , 20.2 (default), 20.3, 20.4 & 20.5% v/v and high 23.5 % v/v (preset)
- Output: Fan relay, Alarm relay and 4-20mA current loop
- Controls: Digital display (0-25% v/v), buzzer, fan delay, fan minimum runtime

Installation

- Mounts on a standard 4" x 4" electrical box
- 5 A SPDT fan relay controls valves, louvers or exhaust fans
- 0.5 A N.O. or N.C alarm relay connects to warning devices or control panels
- 4-20mA current loop - compatible with the Macurco DVP-120 Control Panel
- Factory calibrated

Other Features

- Supervised system design: detector problem will cause the fan & alarm relay to activate
- Optional calibration test kit allows the OX-6 to be field calibrated and tested
- ETL Listed to UL 61010-1, CAN/CSA C22.2 No 61010-1



OX-6 Specifications

- Power: 3 W (max) from 12 to 24 VAC or 12 to 32 VDC
- Current @ 24 VDC: 75 mA in alarm, 50 mA fan relay on and 23 mA stand by
- Shipping Weight: 1 pound (0.45 kg)
- Size: 4 1/2 x 4 x 2 1/8 in. (11.4 X 10.2 X 5.4 cm)
- Color: Dark gray
- Connections: plugs/terminals
- Mounting box: (not included) 4x4 electric
- Fan relay: 5 A, 240 VAC, pilot duty, SPDT, latching or non-latching
- Fan relay actuation: selectable at OFF, 18, 18.1... , 20.2 (default), 20.3, 20.4 & 20.5% v/v and high 23.5 % v/v (preset)
- Fan Delay Settings of 0, 1, 3 (default), 5 and 10 minutes
- Fan Minimum Runtime settings are OFF (default), 3, 5, 10 or 15 minutes
- Current Loop, 4-20 mA for 0-25% v/v O₂
- Alarm relay: 0.5A 120 V, 60 VA
- Alarm relay actuation: selectable N.O. default or N.C.
- Alarm relay settings: OFF, 18.5, 19, 19.5 (default), 20, 20.5 and high 23.5 % v/v (preset)
- Operating Environment: 0°F to 125° F (-18°C to 52°C), 10 to 90% RH non-condensing



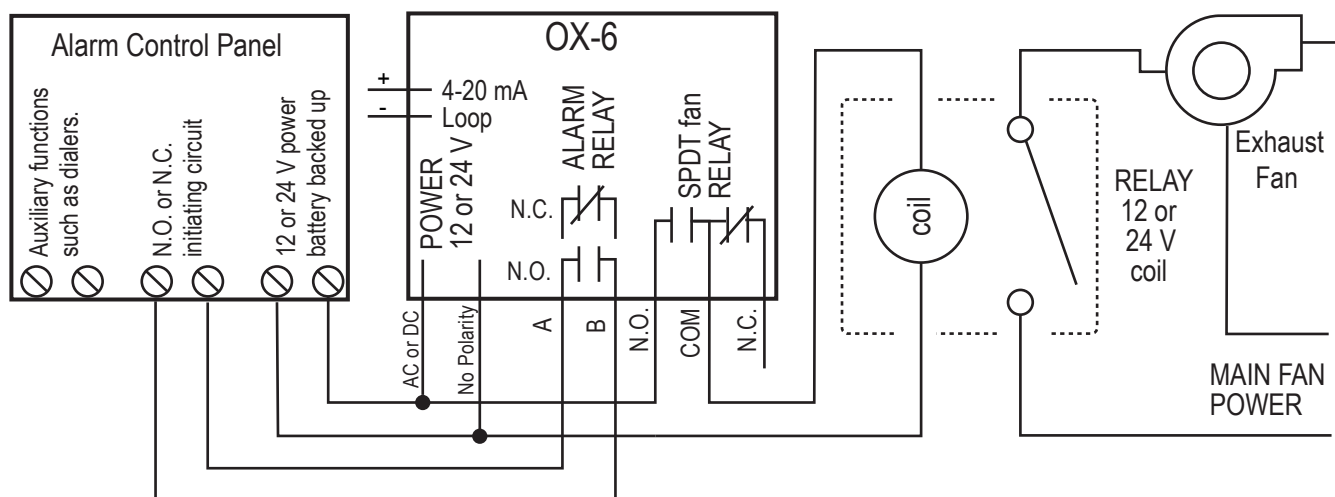
OX-6 Rear View

Location

An OX-6 is normally mounted at breathing level, about 5 feet (1.5 meters) above the floor on a wall or column in a central area where air movement is generally good. Use the same spacing as for smoke detectors, 30-foot centers, 900 square feet per detector (84 sq. meters). The coverage depends on air movement within the room or facility. Extra detectors may be needed near any areas where people work or where the air is stagnant. The OX-6 mounts on a 4x4 electrical box supplied by the contractor. Do not install the OX-6 inside another box unless it has good air flow through it. Do NOT mount the OX-6 where the normal ambient temperature is below 0°F or exceeds 125°F (below -18°C or above 52°C).

TYPICAL CONNECTION OF OX-6

TYPICAL COVERAGE 900 SQUARE FEET



Made in the U.S.A. with US and imported materials

© Aeronics 2015. All rights reserved.
Macurco is a trademark of Aeronics, Inc.

GAS DETECTION
Macurco