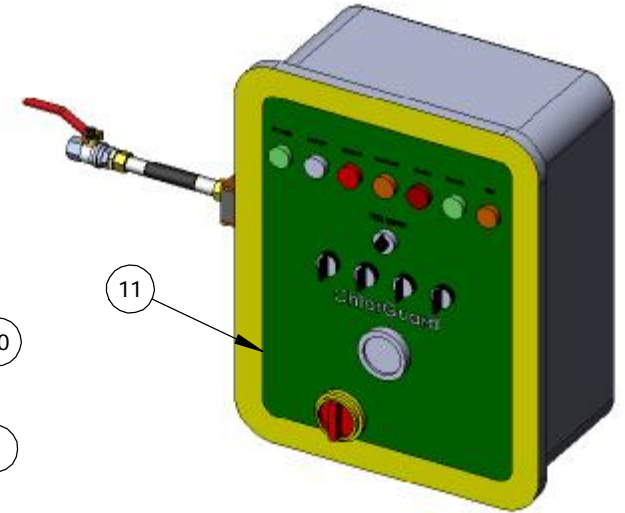
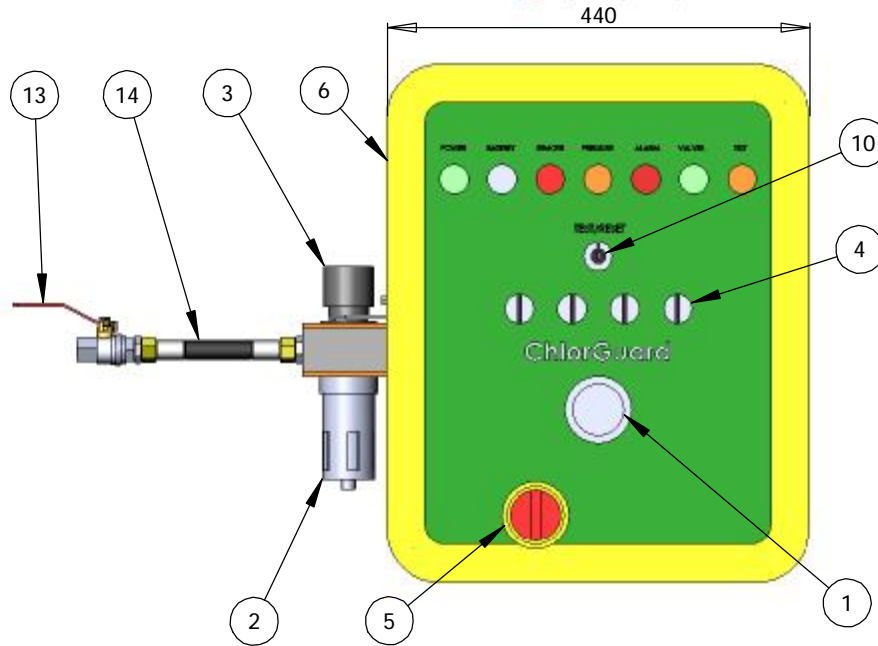
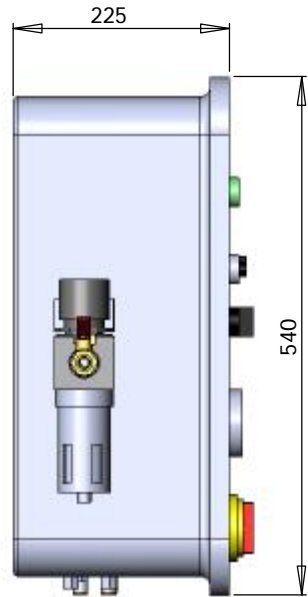
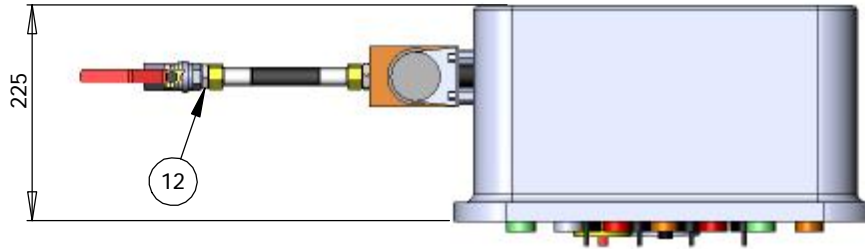


NOTE:

PANEL NEMA 4X

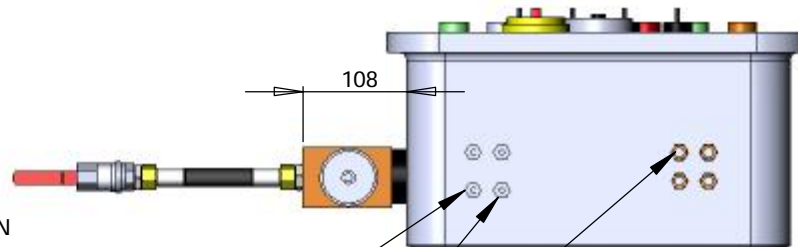
1/2" AIR INTAKE



|                        |                                    |                    |       |          |
|------------------------|------------------------------------|--------------------|-------|----------|
| <b>SIZE-A3</b>         | TITLE : ChlorGuard PLC Panel 4-Way | DRG.NO.- AC0060-04 |       |          |
| PSI PART NO. AC0060-04 |                                    | SCALE              | DRAWN | DATE     |
| CUST. PART NO.         |                                    | NTS                | L.C   | 20/11/11 |

PANEL INDICATORS:

1. POWER ON - GREEN
2. BATTERY - WHITE
3. REMOTE STOP - RED
4. PRESSURE - AMBER
5. ALARM - RED
6. SOLENOID VALVES - GREEN
7. KEY TEST - AMBER



| ITEM NO | DESCRIPTION                              |
|---------|--|
| 1       | PRESSURE GAUGE                           |
| 2       | AIR FILTER                               |
| 3       | PRESSURE REGULATOR                       |
| 4       | BANK 1-4 CONTROL - AUTO/ISOLATE/MANUAL   |
| 5       | PANEL ELECTRICAL ISOLATION               |
| 6       | PANEL LOCK                               |
| 7       | AIR EXHAUST                              |
| 8       | ELECTRICAL CABLE ENTRY                   |
| 9       | AIR OUTLET 10mm X 6                      |
| 10      | PANEL KEY TEST/RESET                     |
| 11      | PANEL LABEL                              |
| 12      | 1/2" BSP X 1/2" BSPT DOUBLE NIPPLE       |
| 13      | 1/2" BSP LOCKABLE BALL VALVE             |
| 14      | 1/2" BSP SWIVEL HOSE ASSEMBLY 160mm LONG |

| REV. | DESCRIPTION | DATE     | DRG |
|------|-------------|----------|-----|
| 1    | FIRST DRAWN | 20/11/11 | L.C |



PSI Global Ltd., South Industrial Est., Bowburn, Durham, England, DH6 5AD  
 Tel.: (0191)3770550 Fax.: (0191) 3770769  
 This drawing is the property of PSI Global Ltd. and must not be copied or reproduced without prior written consent. The copyright belongs to the company.

STATUS- PRODUCTION