



ISO 9001: 2008  
Certified

888-367-4286  
281-367-4100  
fax 281-292-2860

www.detcon.com  
sales@detcon.com

# Detcon Model 610-N4X

## Gas Detection Control System

Compatible with Model 10 Control Modules



### Description

Detcon Model 610-N4X control enclosure, along with Model 10 digital control modules, is designed to serve as a host control system for remote mount gas detection sensor assemblies. The single channel modular design can be configured for any combination of gases. All control modules are plug-in front panel accessible for easy maintenance and repair. A "blank plate" can be installed on any unused channel until that channel is needed at some future date. The Model 610-N4X includes an integral power supply. A panel mount circuit breaker that also acts as a power switch is front panel accessible.

### Specifications

#### Electrical Classification

NEMA 4X raintight

#### Dimensions

16"W x 18"H x 10 1/2"D

#### Power Input

85-264 VAC/24 VDC

#### Capacity

Up to 6 single channel control modules

#### Power Consumption

<5 watts per channel  
(includes gas sensor & control module)

#### Outputs

Discrete analog 4-20 mA DC  
Serial RS-485 Modbus™  
Discrete or zoned alarm relays

#### Operating Temperature Range

-40°C to +80°C; -40°F to +175°F

#### Warranty

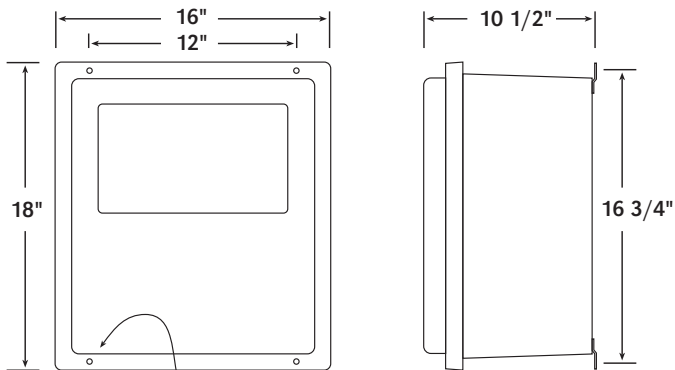
One year

### Features

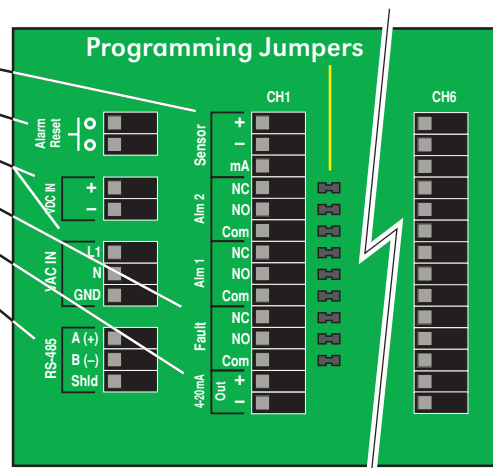
NEMA 4X Raintight  
Modular plug-in design  
1 to 6 channel capacity  
Discrete analog 4-20 mA outputs  
Discrete or zoned alarm relays (2 alarms plus fault)  
Status and parameters accessible via RS-485 Modbus™  
Compatible with PLC's, SCADA, and DCS

Sensor connections include power and 4-20 mA input  
Alarm reset is accomplished via a remote normally open momentary switch  
Power input: 85-264 VAC and/or 24 VDC standard  
Alarm and fault relays discrete or zoned via gold plated jumper tabs  
Discrete 4-20 mA output corresponds to range of detection  
RS-485 allows access to status and parameters

### Dimensions



Mounting Holes 5/16 Dia.



### Order Guide

Model 610-N4X Control Enclosure #954-061050-000  
Blank Plate #910-000008-003

www.detcon.com