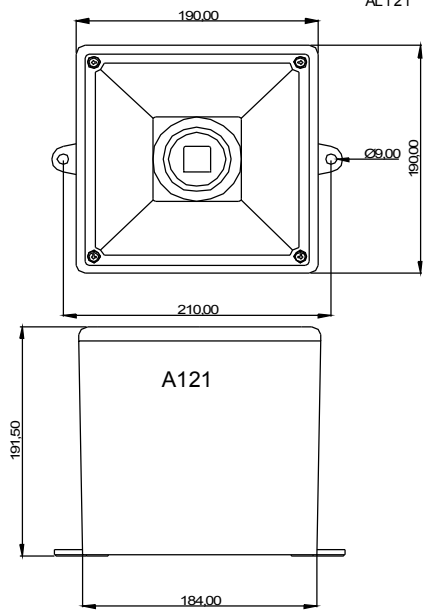
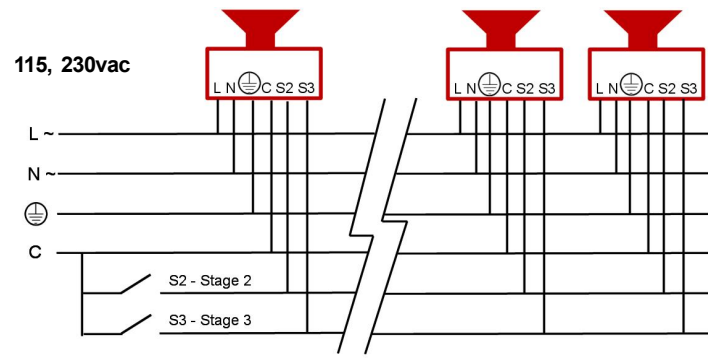
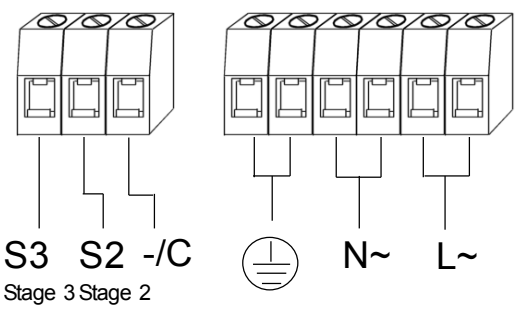
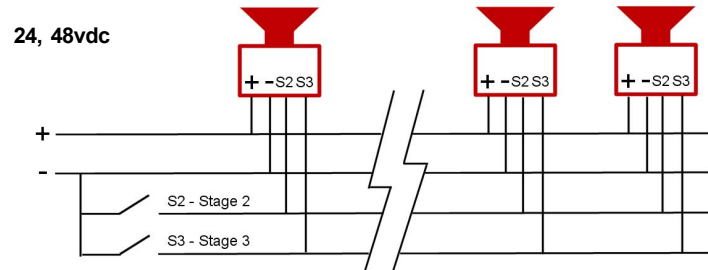
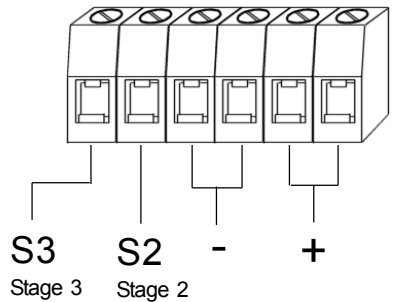


A121 - 45 Tone 'AlertAlarm'



INSTALLATION INSTRUCTIONS



Voltage :	24vdc	48vdc	115vac	230vac	24vac
			50/60Hz	50/60Hz	50/60Hz
Voltage range :	10-30vdc	35-60vdc	+/-10%	+/-10%	+/-10%
Current mA :	950mA	600mA	240mA	120mA	1000mA



- Volume Control
- Réglage du volume
- Steuerung der Lautstärke
- Controllo volume
- Controllo do Volume
- Control Volumen
- Volumen kontrol
- Volum eregeling
- Volum kontroll
- Volum kontroll



- Tone Selection
- Sélection de la tonalité
- Tonwahl
- Selezione tono
- Seleção de tons
- Selección Tono
- Valg af tone
- Toonselectie
- Velge tone
- Tonval

A121 24vdc (18-30vdc) units are CPD Compliant.

EN54-3 Type B IP55



NOTE - To be EN54-3 compliant the volume control must be set as shown.

Stage 1 tone	Frequency	Description
Tone 2	800/1000Hz @ 0.25 sec	Alternating
Tone 3	500/1200Hz @ 0.3Hz	0.5 sec Slow Whoop
Tone 9	1200/500Hz @ 1Hz	- DIN / PFEER P.T.A.P.
Tone 15	800Hz	Continuous
Tone 16	660Hz	150ms ON 150ms OFF
Tone 17	544Hz (100mS)/440Hz (400mS)	- NF S 32-001

The tones listed have been tested to EN54-3 and are compliant with the Construction Product Directive 89/106/EEC.

EN54-3 test data: document D3573

Stage 1	Frequency Description	A121 dB @ 1m	Switch						Stage 2 (S2)	Stage 3 (S3)
			1	2	3	4	5	6		
Tone 1	340 Hz Continuous	113dB(A) @ 1m							Tone 2	Tone 5
Tone 2	800/1000Hz @ 0.25 sec Alternating	121dB(A) @ 1m	■						Tone 17	Tone 5
Tone 3	500/1200Hz @ 0.3Hz 0.5 sec Slow Whoop	121dB(A) @ 1m		■					Tone 2	Tone 5
Tone 4	800/1000Hz @ 1Hz Sweeping	121dB(A) @ 1m	■	■					Tone 6	Tone 5
Tone 5	2400Hz Continuous	125dB(A) @ 1m			■				Tone 3	Tone 20
Tone 6	2400/2900Hz @ 7Hz Sweeping	123dB(A) @ 1m			■				Tone 7	Tone 5
Tone 7	2400/2900Hz @ 1Hz Sweeping	125dB(A) @ 1m			■				Tone 10	Tone 5
Tone 8	500/1200/500Hz @ 0.3Hz Sweeping	121dB(A) @ 1m	■	■					Tone 2	Tone 5
Tone 9	1200/500Hz @ 1Hz - DIN / PFEER P.T.A.P.	121dB(A) @ 1m				■			Tone 15	Tone 2
Tone 10	2400/2900Hz @ 2Hz Alternating	126dB(A) @ 1m	■						Tone 7	Tone 5
Tone 11	1000Hz @ 1Hz Intermittent	121dB(A) @ 1m				■			Tone 2	Tone 5
Tone 12	800/1000Hz @ 0.875Hz Alternating	121dB(A) @ 1m	■	■					Tone 4	Tone 5
Tone 13	2400Hz @ 1Hz Intermittent	125dB(A) @ 1m				■			Tone 15	Tone 5
Tone 14	800Hz 0.25sec on, 1 sec off Intermittent	120dB(A) @ 1m				■			Tone 4	Tone 5
Tone 15	800Hz Continuous	120dB(A) @ 1m				■			Tone 2	Tone 5
Tone 16	660Hz 150mS on, 150mS off Intermittent	118dB(A) @ 1m				■			Tone 18	Tone 5
Tone 17	544Hz (100mS)/440Hz (400mS) - NF S 32-001	117dB(A) @ 1m				■			Tone 2	Tone 27
Tone 18	660Hz 1.8sec on, 1.8sec off Intermittent	118dB(A) @ 1m				■			Tone 2	Tone 5
Tone 19	1.4KHz-1.6KHz 1s, 1.6KHz-1.4KHz 0.5s -NFC48-265	126dB(A) @ 1m				■			Tone 2	Tone 5
Tone 20	660Hz Continuous	118dB(A) @ 1m	■						Tone 2	Tone 5
Tone 21	554Hz/440Hz @ 1Hz Alternating	118dB(A) @ 1m				■			Tone 2	Tone 5
Tone 22	544Hz @ 0.875 sec. Intermittent	118dB(A) @ 1m				■			Tone 2	Tone 5
Tone 23	800Hz @ 2Hz Intermittent	120dB(A) @ 1m				■			Tone 6	Tone 5
Tone 24	800/1000Hz @ 50Hz Sweeping	120dB(A) @ 1m	■						Tone 29	Tone 5
Tone 25	2400/2900Hz @ 50Hz Sweeping	124dB(A) @ 1m	■						Tone 29	Tone 5
Tone 26	Bell	118dB(A) @ 1m	■						Tone 2	Tone 15
Tone 27	554Hz Continuous	117dB(A) @ 1m				■			Tone 26	Tone 5
Tone 28	440Hz Continuous	117dB(A) @ 1m	■						Tone 2	Tone 5
Tone 29	800/1000Hz @ 7Hz Sweeping	121dB(A) @ 1m				■			Tone 7	Tone 5
Tone 30	300Hz Continuous	114dB(A) @ 1m				■			Tone 2	Tone 5
Tone 31	660/1200Hz @ 1Hz Sweeping	121dB(A) @ 1m				■			Tone 26	Tone 5
Tone 32	Two tone chime.	118dB(A) @ 1m	■	■					Tone 26	Tone 15
Tone 33	745Hz @ 1Hz Intermittent	116dB(A) @ 1m				■			Tone 2	Tone 5
Tone 34	1000 & 2000Hz @ 0.5 sec Alternating - Singapore	121dB(A) @ 1m	■						Tone 38	Tone 45
Tone 35	420Hz @ 0.625 sec Australian Alert	118dB(A) @ 1m				■			Tone 36	Tone 5
Tone 36	500-1200Hz 3.75sec /0.25sec. Australian Evac.	121dB(A) @ 1m				■			Tone 35	Tone 5
Tone 37	1000Hz Continuous - PFEER Toxic Gas	121dB(A) @ 1m				■			Tone 9	Tone 45
Tone 38	2000Hz Continuous	122dB(A) @ 1m	■						Tone 34	Tone 45
Tone 39	800Hz 0.25sec on, 1 sec off Intermittent	120dB(A) @ 1m				■			Tone 23	Tone 17
Tone 40	544Hz (100mS)/440Hz (40mS) - NF S 32-001	121dB(A) @ 1m				■			Tone 31	Tone 27
Tone 41	Motor Siren - slow rise to 1200 Hz	122dB(A) @ 1m				■			Tone 2	Tone 5
Tone 42	Motor Siren - slow rise to 800 Hz	121dB(A) @ 1m				■			Tone 2	Tone 5
Tone 43	1200 Hz Continuous	122dB(A) @ 1m				■			Tone 2	Tone 5
Tone 44	Motor Siren - slow rise to 2400 Hz	124dB(A) @ 1m				■			Tone 2	Tone 5
Tone 45	1KHz 1s on, 1s off Intermittent - PFEER Gen. Alarm	121dB(A) @ 1m				■			Tone 38	Tone 34

Tone Selection / switch setting.

- Switch settings are shown in the tone table. Black squares are the switch levers in the ON position.
- Les réglages des commutateurs sont indiqués sur le tableau de tonalités. Les carrés noirs représentent les leviers des commutateurs en position MARCHÉ (ON).
- Die Schaltereinstellungen sind in der Tabelle der Töne angegeben. Die schwarzen Quadrate kennzeichnen die Ein-Positionen der Schalter.
- Le impostazioni degli interruttori sono mostrate nella tabella dei segnali acustici. I riquadri neri indicano le leve degli interruttori nella posizione ON.
- Los ajustes de interruptor se muestran en la tabla de tonos. Los cuadros negros representan las palancas de los interruptores en la posición ON.
- Os ajustes dos interruptores estão indicados na tabela de sons. Os quadrados pretos indicam que as alavancas dos interruptores estão na posição LIGADA.
- Kontaktindstillingerne fremgår af toneskemaet. Et sort felt betyder, at kontakten er aktiv ("ON").
- De schakelinstellingen staan vermeld in de toontabel. Zwarte vierkanten zijn de schakelaars in de stand AAN.
- Bryterinstillingen er beskrevet i tonetabellen. De svarte firkantene indikerer bryterposisjonene i PA-posisjon.
- Brytarinställningarna visas i signaltabellen. De svarta fyrkanterna är brytarna i ON-läge.

NOTE: Please check factory settings and ensure the correct alarm tone is selected for your country or application.
Pas op: bij ingebruikstelling dient u zich ervan te overtuigen dat de unit op de juiste toon is ingesteld.



>121dB(A)@1m.
126dB(A) Max.



ATTENTION

- Disconnect from power source to prevent electrical shock before installing and servicing
- Couper l'alimentation pour empêcher tout choc électrique avant d'effectuer des travaux d'installation et d'entretien.
- Vor der Installation und Wartung von der Spannungsquelle abnehmen, um elektrische Schläge zu vermeiden.
- Prima dell'installazione e della manutenzione spegnere l'alimentazione elettrica per evitare scosse elettriche.
- Desconecte la alimentación para evitar descargas eléctricas antes de la instalación y mantenimiento
- Antes de instalar ou de fazer a manutenção desligue sempre da alimentação elétrica para evitar choques elétricos.
- Strømmen skal afbrydes ved installering og eftersyn for at undgå elektrisk stød.
- Los koppelten van de elektrische voeding om elektrische schok vóór installatie en onderhoud te voorkomen.
- Før monterig eller vedlikehold, må spenningen koples fra for å unngå strømstøt.
- Bryt strømmen innan installation och underhåll för att förhindra elektriska stötter stötter.