

D1xC1X10F Alarm Horn & Xenon Strobe

The D1xC1X10F is a high output 117dB(A) alarm horn with flare horn combined with a & 10 Joule Xenon strobe. The robust Type 4/4X, IP66 marine grade, corrosion proof LM6 enclosure ensures suitability for all Class I Div 1 & Zone 1 applications.

The alarm horn & Xenon strobe allow simultaneous or independent operation. Featuring 64 first stage/channel alarm sounds, the alarm tone frequencies for the first 2 stages are independently selectable. Each of the available 4 stage/channels can be remotely triggered e.g. via an external relay. The DC version is approved for public mode fire alarm use (alarm horn) and private mode fire alarm use (strobe beacon).

Features

- Automatic synchronisation on multi sounder systems.
- User selectable strobe flash rates – dual Xenon flash tubes
- Ratchet adjustable stainless steel 'U' bracket.
- High output alarm horn, up to 117dB(A)
- Xenon strobe – private mode fire alarm use
- Alarm horn – public mode fire alarm use
- 4 remotely selectable alarm stages/channels
- Positive or negative line stage/channel switching
- Choice of 64 alarm tone frequencies
- Compact form factor
- Robust corrosion proof aluminium enclosure
- Stainless steel fixings
- Triple cable entries
- Duplicate cable terminations

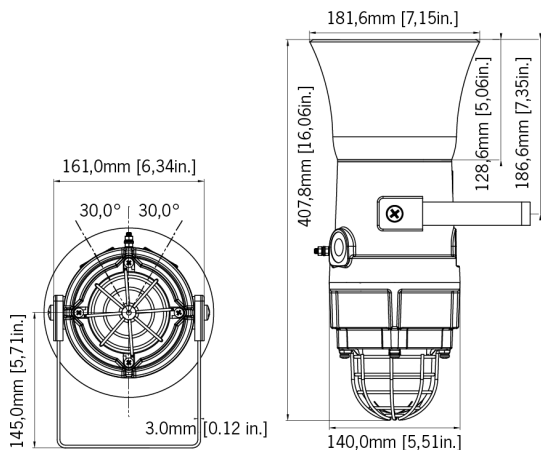
Approvals

- UL File ref: E230764
UL 1203 Ed. 5
CAN/CSA C22.2 No. 25-1966
CSA C22.2 No. 30-M1986
CSA C22.2 No. 205-12
UL464 Ed. 9
UL1638 Ed. 4
- CSFM listing: 7136-2279:0506

Coding

- **A1: Gas version**
NEC / CEC:
Class I Div 1 ABCD T5/T6 Ta -40°C to +55/+50°C
Class I Div 2 ABCD T5/T6 Ta -40°C to +55/+50°C
Class I Zone 1, 2 IIC T5/T6 Ta -40°C to +55/+50°C
- Protection concept: Ex d / AEx d





Specification

Alarm Horn:

Maximum output: 117dB(A) @ 1 metre [108dB(A) @ 10ft/3m]

Nominal output: 113dB(A) @ 1m +/- 3dB - Tone 2 [104dB(A) @ 10ft/3m]

No. of tones: 64 (UK00A / PFEER compliant)

No. of stages: 4

Volume control: Adjustable -12dB(A)

Effective range: 125m/410ft @ 1KHz

Supply Voltages: 24Vdc; 115Vac; 230Vac

Stage switching: DC units: negative or positive
AC units: common supply line

Strobe Beacon:

Energy: 10 Joules (10Ws)

Flash rates: Option 1: 1Hz (60 fpm)
Option 2: 1.5Hz (90 fpm)
Option 3: Double Strike

Peak Candela: 1,000,000 cd - calculated from energy (J)

Effective Intensity: 500 cd - calculated from energy (J)

Peak Candela: 85,544 cd* - measured ref. to I.E.S.

Effective Intensity: 260 cd* - measured ref. to I.E.S.

Lens colours: Amber, Blue, Clear, Green, Magenta, Red & Yellow

Tube life : Emissions are reduced to 70% after 5 million flashes

General:

Ingress protection: EN60529: IP66
UL50E / NEMA250: 4 / 4X / 3R / 13

Enclosure material: Marine grade aluminium LM6-copper free
Chromated & powder coated - corrosion proof

Colour: Red (RAL3000), Grey (RAL7038)

Cable entries: 1 x 1/2"NPT & 2 x M20 x 1.5mm
1 x 1/2"NPT & 2 x 1/2"NPT
1 x 1/2"NPT & 2 x 3/4"NPT

Terminals: 0.5 - 2.5mm² (20-14 AWG)

Grounding stud: M5

Operating temp: 24Vdc & 115Vac: -40° to +70°C [-40° to +158°F]
230Vac: -40° to +55°C [-40° to +131°F]

Storage temp: -50° to +70°C [-58° to +158°F]

Relative humidity: 95% - Additional tropicalisation is recommended for applications where both high relative humidity and high ambient temperatures exist

Part Codes

Version: _____ Part code: _____

Product type: D1xC1X10

Horn type: F Flare re-entrant horn

Voltage: DC024 20-28V dc
AC115 110-120V ac
AC230 220-240V ac

Cable Entry Type: A 1 x 1/2"NPT & 2 x M20 x 1.5mm
[e] B 1 x 1/2"NPT & 2 x 1/2"NPT
C 1 x 1/2"NPT & 2 x 3/4"NPT

Adaptor/Stopping B Brass
plug material: [m] N Nickel Plated
S Stainless Steel

Bracket/Guard 1 A2 304 Stainless Steel
matl & tag: [s] 2 A4 316 Stainless Steel
3 A2 304 St/St with Equip. Tag
4 A4 316 St/St with Equip. Tag

Product version: [v]A1 Gas environments Class I/Zone1

Enclosure colour: G Grey RAL7038
[x] R Red RAL3000

Lens colour: [y] A, B, C, G Amber, Blue, Clear, Green
M, R, Y Magenta, Red, Yellow

Accessories: SP65-0001-A2 Pole Mount Bracket Kit 2" St/St A2 (304)
SP65-0001-A4 Pole Mount Bracket Kit 2" St/St A4 (316)
SP65-0003-A2 Sunshade - St/St A2 (304)
SP65-0003-A4 Sunshade - St/St A4 (316)

Current Consumption

Voltage:	Range:	Alarm Horn	Xenon Strobe	Combined
24V dc	20-28Vdc	217mA	673mA	890mA
115V ac	110-120Vac 50/60Hz	76mA	247mA	323mA
230V ac	220-240Vac 50/60Hz	53mA	120mA	173mA

Tone table

S 1	Description	S 2	S 3	S 4	S 1	Description	S 2	S 3	S 4
T2	1200/500 @ 1Hz Sweeping DIN/PFEER P.T.A.P.	Any	T3	T44	T34	800 @ 2Hz (0.25s on, 0.25s off) IMO code 3.a ...	Any	T24	T8
T3	1000 @ 0.5Hz (1s on, 1s off) Intermittent PFE...	Any	T2	T44	T35	1000 @ 1Hz (0.50s on, 0.50s off) Intermittent	Any	T24	T8
T4	1.4KH-1.6KHz 1s, 1.6KHz-1.4KHz 0.5s NF C 48-265	Any	T24	T1	T36	2400 @ 1Hz (0.50s on, 0.50s off) Intermittent	Any	T24	T8
T5	544(100mS)/440 (400mS) NF S 32-001	Any	T19	T1	T37	2900 @ 5Hz (0.10s on, 0.10s off) Intermittent	Any	T24	T8
T6	1500/500 - (0.5s on , 0.5s off) x3 + 1s gap A...	Any	T44	T1	T38	363/518 @ 1Hz (0.50s/0.50s) Alternating	Any	T8	T19
T7	500-1500Hz Sweeping 2 sec on 1 sec off AS4428	Any	T44	T1	T39	450/500 @ 2Hz (0.25s/0.25s) Alternating	Any	T8	T19
T8	500/1200Hz @ 0.26Hz(3.3s on, 0.5s off) NEN 2575	Any	T24	T35	T40	554/440 @ 1Hz (0.50s/0.50s) Alternating	Any	T24	T19
T9	1000 (1s on, 1s off)x7 + (7s on, 1s off) IMO ...	Any	T34	T1	T41	554/440 @ 0.65Hz (0.76s/0.76s) Alternating	Any	T8	T19
T10	1000 (1s on, 1s off)x7 + (7s on, 1s off) IMO ...	Any	T34	T1	T42	561/760 @ 0.83Hz (0.60s/0.60s) Alternating	Any	T8	T19
T11	420(0.5s on, 0.5s off)x3 + 1s gap ISO 8201 Te...	Any	T1	T8	T43	780/600 @ 0.96Hz (0.52s/0.52s) Alternating	Any	T8	T19
T12	1000(0.5s on, 0.5s off)x3 + 1s gap ISO 8201 T...	Any	T1	T8	T44	800/1000 @ 2Hz (0.25s/0.25s) Alternating	Any	T24	T19
T13	422/775 (0.85 on, 0.5 off) x3 + 1s gap NFPA T...	Any	T1	T8	T45	970/800 @ 2Hz (0.25s/0.25s) Alternating	Any	T8	T19
T14	1000/2000 @ 1Hz - Singapore	Any	T3	T35	T46	800/1000 @ 0.875Hz (0.57s/0.57s) Alternating	Any	T24	T19
T15	300 Continuous	Any	T24	T35	T47	2400/2900 @ 2Hz (0.25s/0.25s) Alternating	Any	T24	T19
T16	440 Continuous	Any	T24	T35	T48	500/1200 @ 0.3Hz (1.67s/1.67s) Sweeping	Any	T24	T12
T17	470 Continuous	Any	T24	T35	T49	560/1055 @ 0.18Hz (2.73s/2.73s) Sweeping	Any	T24	T12
T18	500 Continuous IMO code 2 (Low)	Any	T24	T35	T50	560/1055 @ 3.3Hz (0.15s/0.15s) Sweeping	Any	T24	T12
T19	554 Continuous	Any	T24	T35	T51	600/1250 @ 0.125Hz (4s/4s) Sweeping	Any	T24	T12
T20	660 Continuous	Any	T24	T35	T52	660/1200 @ 1Hz (0.50s/0.50s) Sweeping	Any	T24	T12
T21	800 Continuous IMO code 2 (High)	Any	T24	T35	T53	800/1000 @ 1Hz (0.50s/0.50s) Sweeping	Any	T24	T12
T22	1200 Continuous	Any	T24	T35	T54	800/1000 @ 7Hz (0.07s/0.07s) Sweeping	Any	T24	T12
T23	2000 Continuous	Any	T3	T35	T55	800/1000 @ 50Hz (0.01s/0.01s) Sweeping	Any	T24	T12
T24	2400 Continuous	Any	T20	T35	T56	2400/2900 @ 7Hz (0.07s/0.07s) Sweeping	Any	T24	T12
T25	440 @ 0.83Hz (0.60s on, 0.60s off) Intermittent	Any	T44	T8	T57	2400/2900 @ 1Hz (0.50s/0.50s) Sweeping	Any	T24	T12
T26	470 @ 0.9Hz (0.55s on, 0.55s off) Intermittent	Any	T44	T8	T58	2400/2900 @ 50Hz (0.01s/0.01s) Sweeping	Any	T24	T12
T27	470 @ 5Hz (0.10s on, 0.10s off) Intermittent	Any	T44	T8	T59	2500/3000 @ 2Hz (0.25s/0.25s) Sweeping	Any	T24	T12
T28	544 @ 1.14Hz (0.43s on, 0.44s off) Intermittent	Any	T24	T8	T60	2500/3000 @ 7.7Hz (0.65s/0.65s) Sweeping	Any	T24	T12
T29	655 @ 0.875Hz (0.57s on, 0.57s off) Intermittent	Any	T44	T8	T61	800Hz Motor Siren	Any	T24	T12
T30	660 @ 0.28Hz (1.80s on, 1.80s off) Intermittent	Any	T24	T8	T62	1200Hz Motor Siren	Any	T24	T12
T31	660 @ 3.3Hz (0.15s on, 0.15s off) Intermittent	Any	T24	T8	T63	2400Hz Motor Siren	Any	T24	T12
T32	745 @ 1Hz (0.50s on, 0.50s off) Intermittent	Any	T24	T8	T64	Simulated Bell	Any	T21	T12
T33	800 (0.25s on, 1.00s off) Intermittent	Any	T24	T8					