

Up to 6-off units can be connected to the same wire run without a separate synchronization module and meet the synchronization requirements of UL1971 & UL1638 / CAN/ULC-S526.

2.2 Private Mode Fire Alarm Ratings

The D2xC2LD2DC024 is approved for use as Audible and Visual Appliance for use in Fire Alarm Systems – Private Mode.

For private mode fire alarm use the beacons must only be fitted with clear or red plastic lens covers and must be set to one of the certified flash patterns of 1Hz, 1.5Hz or 2Hz (for DIP switch settings see section 10).

For light output ratings see section 12.

2.3 NEC & CEC Class / Division Ratings for US / Canada

The D2xC2LD2 LED beacon complies with the following standards:

ANSI/ISA 12.12.01-2015
CSA C22.2 No. 213-16

The D2xC2LD2 LED beacon is rated as follows:

Class I Div 2 ABCD T4 Ta -40°C to +50°C
Class I Div 2 ABCD T4A Ta -40°C to +40°C
Class II Div 2 FG T6 Ta -40°C to +50°C
Class III Div 1&2 Ta -40°C to +50°C

Installation must be carried out in compliance with the National Electric Code / Canadian Electric Code

2.4 NEC Class / Zone ratings US

The D2xC2LD2 LED beacon complies with the following standards:

UL 60079-0-2013
UL 60079-15-2013
UL 60079-31-2015

The D2xC2LD2 LED beacon is rated as follows:

Class I Zone 2 AEx nA IIC Gc T4 Ta -40°C to +50°C
AEx tc IIIC 75°C Dc Ta -40°C to +50°C

Installation must be carried out in compliance with the National Electric Code.

2.5 CEC Class / Zone ratings Canada

The D2xC2LD2 LED beacon complies with the following standards:

CAN/CSA C22.2 No. 60079-0:2015
CAN/CSA C22.2 No. 60079-15:2016
CAN/CSA C22.2 No. 60079-31:2015

The D2xC2LD2 LED beacon is rated as follows:

Ex nA IIC Gc X T4 Ta -40°C to +50°C
Ex tc IIIC 75°C Dc X Ta -20°C to +50°C

1) Warnings



- DO NOT OPEN WHEN AN EXPLOSIVE ATMOSPHERE IS PRESENT
- DO NOT OPEN WHEN ENERGISED
- POTENTIAL ELECTROSTATIC CHARGING HAZARD - CLEAN ONLY WITH A DAMP CLOTH
- HIGH VOLTAGE SHOCK HAZARD. WAIT 5 MINUTES AFTER REMOVING POWER BEFORE OPENING THE ENCLOSURE

Avertissement:

- NE PAS OUVRIR UN PRESENCE D'ATMOSPHERE EXPLOSIVE
- NE PAS OUVRIR ENERGIE
- DANGER POTENTIEL CHARGE ÉLECTROSTATIQUE - NETTOYER UNIQUEMENT AVEC UN CHIFFON HUMIDE
- HAUT TENSION, RISK DE CHOC. ATTENDEZ 5 MINUTES APRES AVOIR DEBRANCHE L'ALIMENTATION AVANT D'OUVRIR LA BOITIER

2) Rating & Marking Information

2.1 Public Mode Fire Alarm Ratings

The D2xC2LD2DC024 is certified for use as a public mode audible and visual alarm device in accordance with UL1971 and UL1638 / CAN/ULC-S526.

For use in public-mode fire alarm systems the equipment must be installed without the wire guard or plastic lens cover on the beacon.

The beacon must be set to one of the certified flash patterns of 1Hz, 1.5Hz or 2Hz (for DIP switch settings see section 10).

For light output ratings of the beacon see section 12.

The sounder section produces a sound pressure level above 75dB(A) at 10 feet:

For public mode fire alarm use the temporal pattern tone No. 12 as per the tone table provided in these instructions must be selected. This tone produces a sound pressure level of 103.6 dB(A) at 10 feet.

Installation must be carried out in compliance with the Canadian Electric Code

2.6 ATEX / IECEx certification

The D2xC2LD2 LED beacon complies with the following standards:

EN60079-0:2012+A11:2013 / IEC60079-0: ed. 6.0 (2011-06)
EN60079-15:2010 / IEC60079-15: ed. 4.0 (2010-01)
EN60079-31:2014 / IEC60079-31:2013 ed. 2.0 (2013-11)

Certificate No. DEMKO 14 ATEX 4786493904X
IECEx ULD 14.0004X

The D2xC2LD2 LED beacon is rated as follows:



II 3G Ex nA IIC T4 Gc Ta -40°C to +50°C
II 3D Ex tc IIIC 75°C Dc Ta -40°C to +50°C

CE Marking



Zones, Gas / Dust Groups and Temperature Classification

When connected to an approved system the D2XC2LD2 LED beacon may be installed in:

Zone 2 explosive gas air mixture not likely to occur in normal operation, and if it does, it will only exist for a short time.

Zone 22 explosive dust air mixture not likely to occur in normal operation, and if it does, it will only exist for a short time.

May be used with gases in groups:

Group IIA	propane
Group IIB	ethylene
Group IIC	hydrogen / acetylene

Having a temperature classification (for Gas applications) of:

T1	450°C
T2	300°C
T3	200°C
T4	135°C

May be used with Dust types:

Group IIIA	combustible flyings
Group IIIB	non-conductive dust
Group IIIC	conductive dust

Maximum Surface Temperature for Dust Applications:

75°C

Installation must be carried out in compliance with the latest issue of the following standards:

EN60079-14 / IEC60079-14: Explosive atmospheres - Electrical installations design, selection and erection
EN60079-10-1 / IEC60079-10-1: Explosive atmospheres - Classification of areas. Explosive gas atmospheres
EN60079-10-2 / IEC60079-10-2: Explosive atmospheres – Classification of areas. Explosive dust atmospheres

2.7 Ingress Protection Ratings

The product is rated for ingress Protection as follows:

IP rating	IP66
Type rating per UL50E / NEMA250:	4 / 4X / 3R / 13

To maintain the ingress protection rating, the cable entries must be fitted with suitably rated, certified cable entry and/or blanking devices during installation.

2.8 Electrical Ratings

It is important that a suitable power supply is used to run the equipment. The power supply selected must have the necessary capacity to provide the input current to all the units.

The input current will vary according to the voltage input level. The current levels shown above are for the worst-case input voltage and flash setting resulting in max. current.

For detailed current ratings of the device please see Section 13.

3) Special Conditions for Safe Use

Special Condition for safe Use as stated on the Type Examination Certificate DEMKO 14 ATEX 4786493904X / CoC IECEx ULD 14.0004X:

When used for a Group III application, the surface of the enclosure may store electrostatic charge and become a source of ignition in applications with a low relative humidity <~30% relative humidity where the surface is relatively free of surface contamination such as dirt, dust, or oil.

Guidance on protection against the risk of ignition due to electrostatic discharge can be found in EN TR50404 and IEC TR60079-32.

End user shall adhere to the manufacturer's installation and instruction when performing housekeeping to avoid the potential for hazardous electrostatic charges during cleaning, by using a damp cloth.

To maintain the ingress protection rating and mode of protection, the cable entries must be fitted with suitably rated, certified cable entry and/or blanking devices during installation. If conduit is used for installation, seal conduit within 18 inches from the enclosure.

4) Location and Mounting

The location of the combined alarm horn and beacon should be made with due regard to the area over which the warning signal must be visible and audible. It should only be fixed to services that can carry the weight of the unit.

DxC2 Alarm Horn and Strobe to a flat surface via the two 9.7 x 6.7mm, 147mm pitch fixing holes in the mounting feet of the sounder section and the two 7mm fixing holes in the feet of the base.

The equipment is not to be mounted with the horn facing upwards.

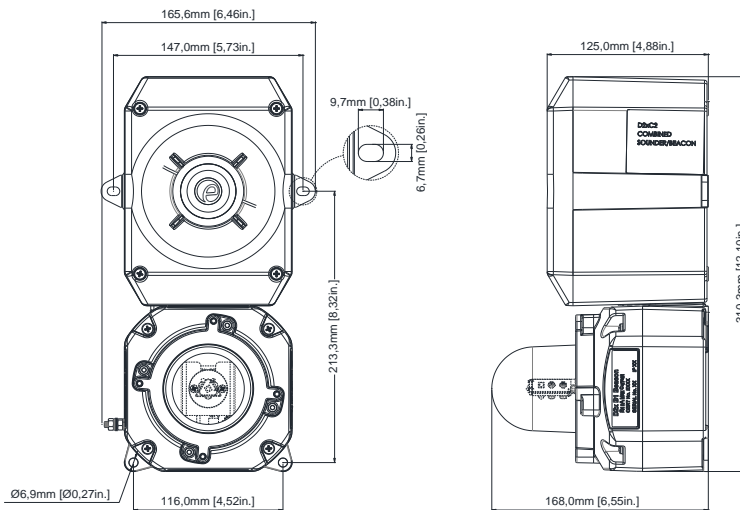


Fig. 1a Fixing locations Public Mode Alarm.

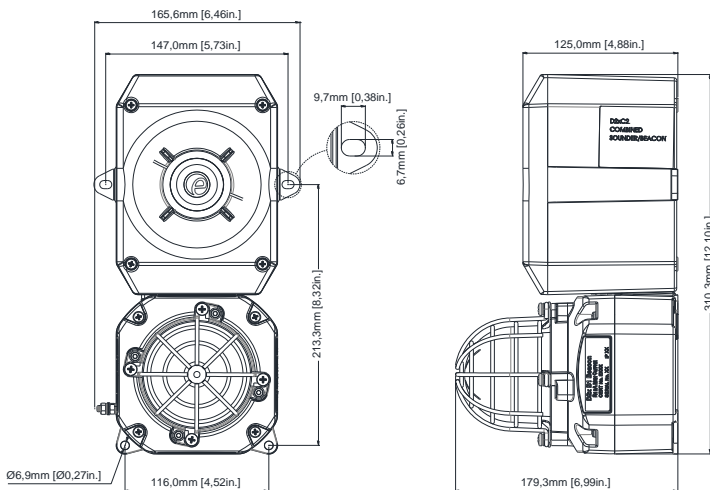


Fig. 1b Fixing locations Public Mode Alarm.

5) Access to the Enclosure

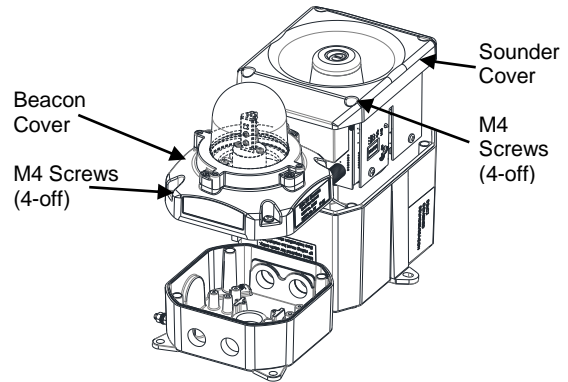


Warning – High voltage may be present, risk of electric shock. DO NOT open when energised, disconnect power before opening.



Warning – Hot surfaces. External surfaces and internal components may be hot after operation, take care when handling the equipment.

To access the enclosure, loosen the four M4 posi pan head screws and withdraw the cover



To replace cover, check that the 'O' ring seal is in place. Carefully push the cover in place. Insert and tighten down M4 screws, spring and plain washers in the order shown above and tighten down.

6) Selection of Cable, Cable Glands, Blanking Elements & Adapters

When selecting the cable size, consideration must be given to the input current that each unit draws (see Table 1), the number of beacons on the line and the length of the cable runs. The cable size selected must have the necessary capacity to provide the input current to all of the sounders connected to the line.

When selecting the cable size consideration must be given to the voltage drop over the length of the cable run to ensure the min. input voltage at the point of use (voltage range, see section 13)

The voltage drop depends on:

- The total current draw if the devices installed on this cable run
- The wire size and total length of the cable run, determining the total resistance of this cable run
- The minimum output voltage supplied by the power supply

The voltage drop and input voltage at the point of use can be calculated as follows (for guidance on the resistance of different wire sizes see section 14)

$$\text{Total Wire resistance} = \text{Wire resistance} / 1000\text{ft} \times \text{length of cable run} \times 2$$

(length of cable run needs to be multiplied by two to account for two wires going to and from the unit)

$$\text{Total current draw} = \text{Current draw per unit} \times \text{number of units}$$

$$\text{Voltage Drop} = \text{Total current draw} \times \text{Total wire resistance}$$

$$\text{Minimum output of power supply} = \text{Min. voltage at point of use} + \text{voltage drop}$$

For ambient temperatures over +45°C the cable entry temperature may exceed +70°C. Therefore suitable heat resisting cables and cable glands, rated to min. 75°C must be used.

If a high IP (Ingress Protection) rating is required then a suitable sealing washer must be fitted under the cable glands or blanking plugs.

For use in explosive dust atmospheres, a minimum ingress protection rating of IP6X must be maintained.

For use in explosive gas atmospheres, a minimum ingress protection rating of IP54 must be maintained.

NPT plugs should be greased before insertion.

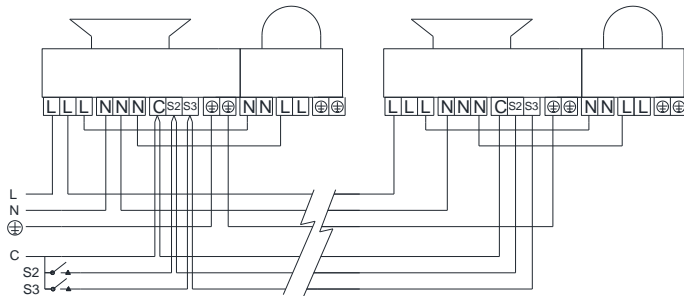
7) Cable Connections

Electrical connections are to be made into the terminal blocks on the PCBA located in the enclosure. See section 5 of this manual for access to the enclosure.

Wires having a cross sectional area between 0.5 mm² to 2.5mm² can be connected to each terminal way. If an input and output wire is required the 2-off Live/Neutral or +/- terminals can be used. If fitting 2-off wires to one terminal way the sum of the 2-off wires must be a maximum cross sectional area of 2.5mm². Strip wires to 8mm. Wires may also be fitted using ferrules. Terminal screws need to be tightened down with a tightening torque of 0.56 Nm / 5 Lb-in. When connecting wires to the terminals great care should be taken to dress the wires so that when the cover is inserted into the chamber the wires do not exert excess pressure on the terminal blocks. This is particularly important when using cables with large cross sectional areas such as 2.5mm².

8) AC Wiring

8.1 Wiring Diagram



STAGE 4 = S2 + S3
(Customer Supplied)

Fig 4. AC Simplified Block Diagram

8.2 First Stage Tones

Stage one (S1) operation: Simply connect the supply voltage to the L and N supply terminals, (see fig. 5). The Strobe is powered via factory installed wires connected to the sounder. The wires connecting the alarm horn and strobe can be removed if the user wishes to power the strobe separately.

8.3 Second, Third and Fourth Stage Tone Selection

To select the second, third and fourth stage tones on the D2xS1 AC alarm horns.

Stage two (S2) operation: Power L and N, link the common (C) and S2 terminal.

Stage three (S3) operation: Power L and N, link the common (C) and S3 terminals.

Stage four (S4) operation: Power L and N, link the common (C) and both the S2 and S3 terminals.

Strobe will continue to flash during alarm horn S2, S3 & S4 stages.

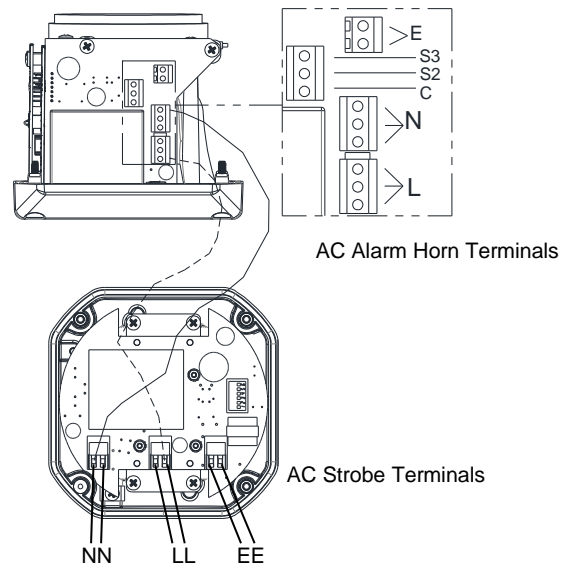


Fig. 5 AC Terminals

9) DC Wiring

9.2 Wiring Diagrams

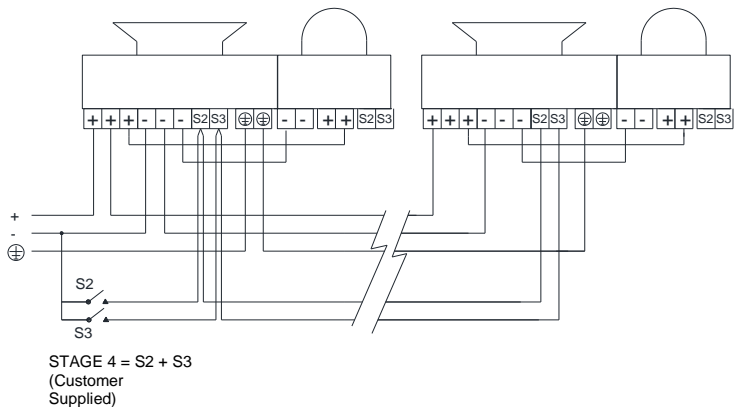


Fig. 6 DC Simplified Block Diagram

9.3 Units First Stage Tones

Stage one (S1) operation: Simply connect the supply voltage to the + and - supply terminals, (see fig. 8). The Strobe is powered via factory installed wires connected to the alarm horn. The wires connecting the alarm horn and strobe can be removed if the user wishes to power the strobe separately.

9.4 Second, Third and Fourth Stage Tone Selection

Stage two (S2) operation: Power +ve and -ve, link a -ve supply line to the S2 terminal.

Stage three (S3) operation: Power +ve and -ve, link a -ve supply line to the S3 terminal.

Stage four (S4) operation: Power +ve and -ve, link a -ve supply line to both the S2 & S3 terminals.

Strobe will continue to flash during alarm horn S2, S3 & S4 stages.

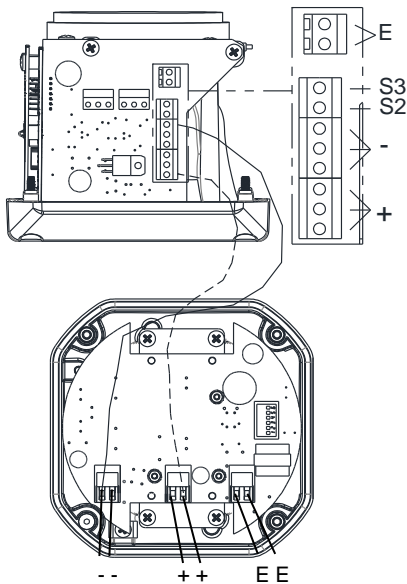


Fig. 7 DC Terminals

terminal plugs and fit the resistor across the two terminal plugs before refitting them to the PCBA as shown in Fig. 8b. A spacing of at least 1/16" (1.58mm) must be provided through air and over surfaces between uninsulated live parts.

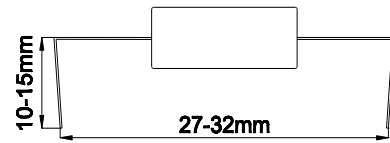


Fig. 7 End of Line Resistor Forming

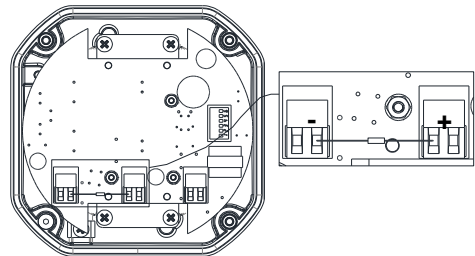


Fig. 8 End of Line Resistor Placement - Beacon

10) Earthing

The unit has both internal and external earth terminals, (please see fig 3). Internal earthing connections should be made to the internal earth terminal on the PCBA, (please see fig 5 for AC, fig 8 for DC). The earth conductor should be at least equal in size and rating to the incoming power conductors. The internal earth bonding wire connects the PCBA earth terminal to the internal earth terminal in the enclosure back box.

External earth connections should be made to the M5 earth stud, using a ring crimp terminal to secure the earth conductor to the earth stud. The external earth conductor should be at least 4mm² in size. The external earth crimp ring should be located between the two M5 plain washers provided and securely locked down with the M5 spring washer and M5 nut.

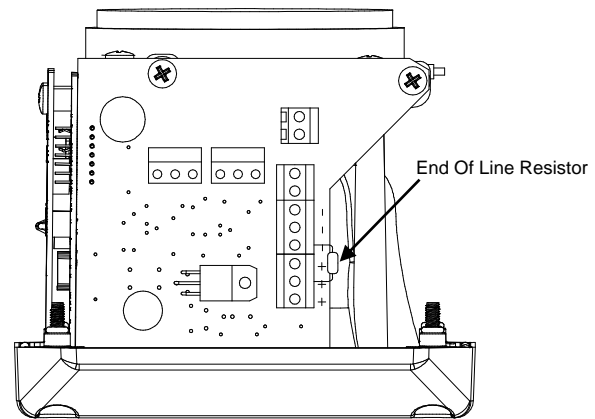


Fig. 9 End of Line Resistor Placement – Sounder

11) End Of Line Monitoring (DC Units Only)

On DxC2 DC units, dc reverse line monitoring can be used if required. All DC units have a blocking diode fitted in their supply input lines. An end of line monitoring resistor can be connected across the +ve and -ve terminals. If an end of line resistor is used it must have the following values:-

24V DC Alarm Horn and Strobe

Minimum Resistance 3k9 ohms	Minimum wattage 0.5W
Minimum Resistance 1k ohms	Minimum wattage 2.0W

48V DC Alarm Horn and Strobe

Minimum Resistance 15k ohms	Minimum wattage 0.5W
Minimum Resistance 3k9 ohms	Minimum wattage 2.0W

The resistor must be connected directly across the +ve and -ve terminals of the sounder board only, as shown in the following drawing. Whilst keeping its leads as short as possible, a spacing of at least 1/16 inch (1.58mm) must be provided through air and over surfaces between uninsulated live parts.

The resistor must be connected directly across the +ve and -ve terminals as shown in the following drawing. Form the resistor legs as shown in Fig. 8a, remove the +ve and -ve

12) Setting

12.1 Volume Control

The alarm horn output level of the DxC2 unit can be set by adjusting the volume control potentiometer (see Fig 2). For maximum output, set the potentiometer fully clockwise.

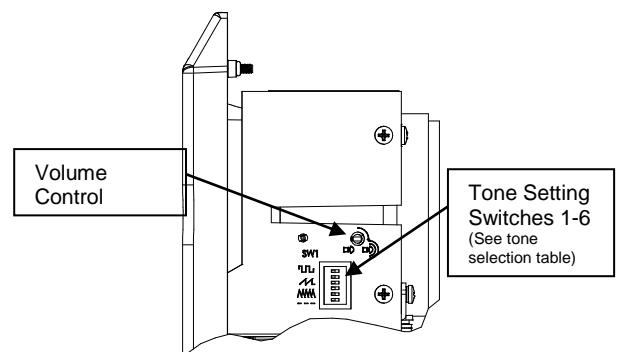


Fig. 2 Location of field controls

12.2 Tone Selection

The DxC2 alarm horns have 64 different tones. The tones are selected by operation of the tone setting DIP switches (see Fig. 2) on the PCB. The alarm horns can also be switched to sound the second, third and fourth stage alarm tones. The tone table (Table 1) shows the switch positions for the 64 tone and which tones are available for the second, third and fourth stages.

12.3 Flash Rate Setting



Warning – high-intensity light source. Avoid looking directly at the light source for extended periods of time.

The D2xC2LD2 beacons can produce different flash patterns as shown in Table 1. The flash patterns are selected by operation of the flash setting DIP switch on the PCB, Fig 6.

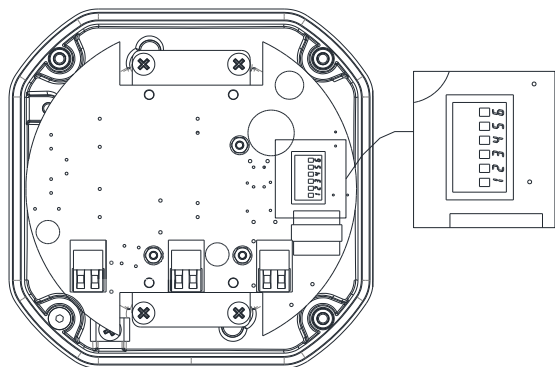


Fig. 9: DIP Switch Location

(*setting permitted for use as public mode fire alarm device)

Switch Setting	S1 Mode	S2 Mode	S3 Mode
(123456)	(DC & AC)	(DC Only)	(DC Only)
000000	Steady High Power	Flashing 1Hz*	Flashing Triple Strike
000001	Steady Low Power	Flashing 1Hz*	Flashing Triple Strike
100000	Flashing 1Hz*	Flashing Double Strike	Flashing Triple Strike
101000	Flashing 1.5Hz*	Flashing 2Hz*	Flashing Double Strike
010000	Flashing 2Hz*	Flashing Triple Strike	Flashing Triple Strike
110000	Flashing Double Strike	Steady High Power	Flashing Triple Strike
001000	Flashing Triple Strike	Flashing 2Hz*	Flashing Double Strike

Table 1: Switch Positions for Flash Patterns

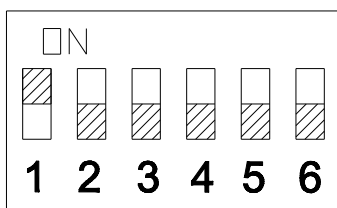


Fig. 10 Dip Switch

1=ON; 0=OFF

Example shown: 100000 = Flashing 1Hz (Default setting)

13) Interchangeable & Spare Parts



Warning – Hot surfaces. External surfaces and internal components may be hot after operation, take care when handling the equipment.

The Beacon lens cover is interchangeable, contact E2S Ltd for a replacement lens cover available in various colours. Please note that Private Mode Fire Alarm units can only be used with either clear or red lenses, Public Mode Fire Alarm units cannot be used with a lens or a guard.

To change the lens cover, unscrew the 4-off M5 posi pan head screws, spring and flat washers using a screwdriver. Remove the wire guard and replace the old lens cover with the new lens cover.

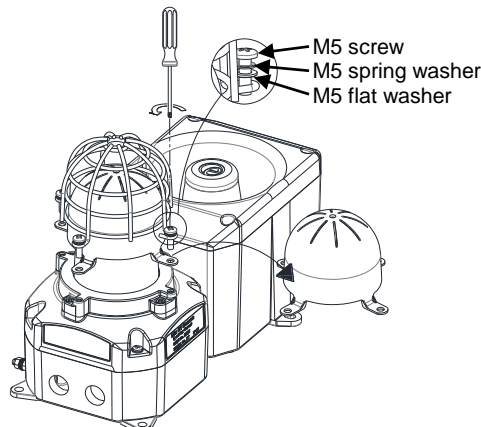


Fig. 11 Replacement of beacon lens cover

Fit the wire guard back onto the housing, over the new lens cover aligning the fixing holes of the guard, lens cover and housing. Refit the fixings to hold into place, the fixings MUST be fitted in the order shown above.

14) Maintenance, Overhaul & Repair

Maintenance, repair and overhaul of the equipment should only be carried out by suitably qualified personnel in accordance with the current relevant standards:

- EN60079-19 Explosive atmospheres - Equipment repair, overhaul and reclamation
- IEC60079-19
- EN 60079-17 Explosive atmospheres - Electrical installations inspection and maintenance
- IEC60079-17

To avoid a possible ELECTROSTATIC CHARGE the unit must only be cleaned with a damp cloth.

Units must not be opened while an explosive atmosphere is present.

If opening the unit during maintenance operations a clean environment must be maintained and any dust layer removed prior to opening the unit.

15) Light output for Fire alarm use

In order to meet the requirements for UL 1971, (D2xC2LD2DC024 when used with 1Hz, 1.5Hz or 2Hz Flash rates and without plastic lens cover and wire guard only), the installation must be carried out to the correct NFPA standards and guidelines.

15.1 Horizontal Light Output Dispersion for wall mounting – public mode

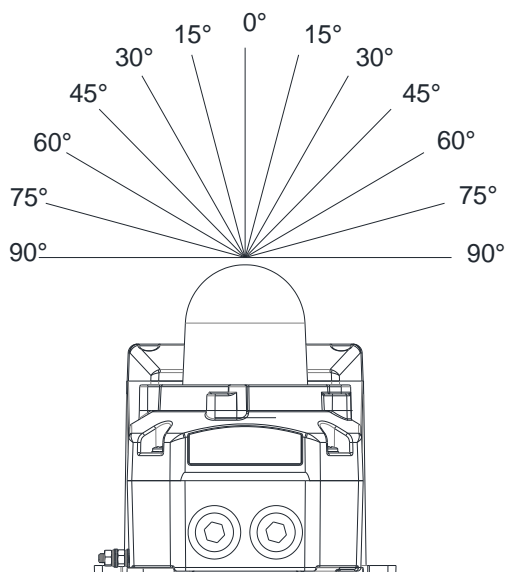


Fig. 11 – Horizontal dispersion angles for wall mounting

Table 3 - Horizontal Light Output Dispersion for Wall Mounting				
Viewing Angle	% Of Rating	Intensity (cd) at 1Hz flash rate	Intensity (cd) at 1.5Hz flash rate	Intensity (cd) at 2Hz flash rate
0°	100	38.38	35.87	25.97
5-25°	90	34.54	32.28	23.37
30-45°	75	28.79	26.90	19.48
50°	55	21.11	14.28	14.28
55°	45	17.27	11.69	11.69
60°	40	15.35	10.39	10.39
65°	35	13.43	9.09	9.09
70°	35	13.43	9.09	9.09
75°	30	11.51	7.79	7.79
80°	30	11.51	7.79	7.79
85°	25	9.60	6.49	6.49
90°	25	9.60	6.49	6.49
Compound 45° to Right	24	9.21	8.61	6.23
Compound 45° to Left	24	9.21	8.61	6.23

15.2 Vertical Light Output Dispersion for wall mounting – public mode

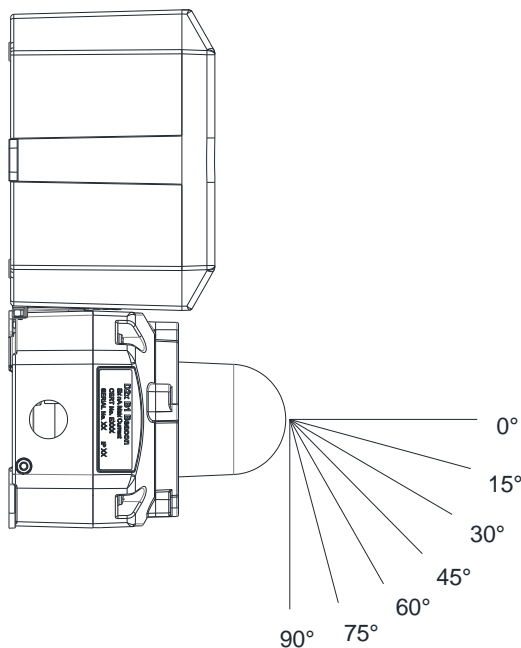


Fig. 12 – Vertical dispersion angles for wall mounting

Table 4 - Vertical Light Output Dispersion for Wall Mounting				
Viewing Angle	% Of Rating	Intensity (cd) at 1Hz flash rate	Intensity (cd) at 1.5Hz flash rate	Intensity (cd) at 2Hz flash rate
0°	100	38.38	35.87	25.97
5-30°	90	34.54	32.28	23.37
35°	65	24.95	23.32	16.88
40°	46	17.65	16.50	11.95
45°	34	13.05	12.20	8.83
50°	27	10.36	9.68	7.01
55°	22	8.44	7.89	5.71
60°	18	6.91	6.46	4.67
65°	16	6.14	5.74	4.16
70°	15	5.76	5.38	3.90
75°	13	4.99	4.66	3.38
80-90°	12	4.61	4.30	3.12

15.3 Vertical Light Output Dispersion for ceiling mounting – public mode

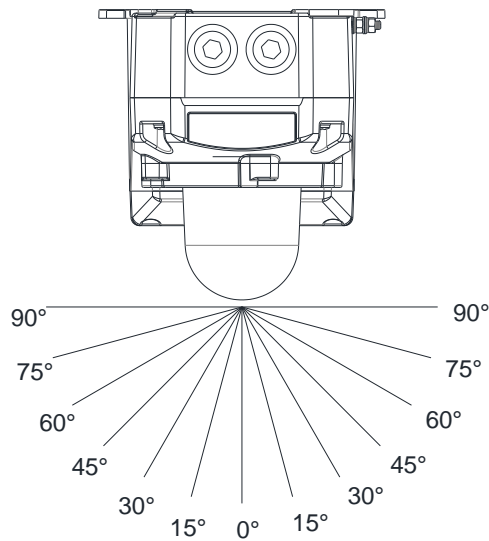


Fig. 13 – Vertical dispersion angles for ceiling mounting

Viewing Angle	% Of Rating	Intensity (cd) at 1Hz flash rate	Intensity (cd) at 1.5Hz flash rate	Intensity (cd) at 2Hz flash rate
0°	100	38.38	35.87	25.97
5-25°	90	34.54	32.28	23.37
30-45°	75	28.79	26.90	19.48
50°	55	21.11	19.73	14.28
55°	45	17.27	16.14	11.69
60°	40	15.35	14.35	10.39
65°	35	13.43	12.55	9.09
70°	35	13.43	12.55	9.09
75°	30	11.51	10.76	7.79
80°	30	11.51	10.76	7.79
85°	25	9.60	8.97	6.49
90°	25	9.60	8.97	6.49

All light output ratings min. values as per UL 1971 / UL1638 / CAN/ULC-S526 at worst-case (min.) input voltage.

15.4 On-axis light output rating – private mode

Model	Lens Cover Colour	Intensity (cd) at 1Hz flash rate
D2xC2LD2DC024	clear	73.4
	red	67.27

16) Electrical Ratings

16.1 Operating current Consumption

Table 6 – Electrical Ratings

Model	Nom. Voltage	Voltage Range	Flash Rate Setting	Nom. operating current [#]		Max. operating current ^{##}	
				Beacon	Sounder	Beacon	Sounder
D2xC2LD2DC024	24Vdc	Regulated 24 (16-33Vdc)	Steady High Power	242mA	313mA	346mA	313mA
			Steady Low Power	128mA		184mA	
			Flashing 1Hz	99.5mA		147mA	
			Flashing 1.5Hz	104mA		143mA	
			Flashing 2Hz	103mA		146mA	
			Flashing Double Strike	122.4mA		180mA	
			Flashing Triple Strike	144.8mA		211.2mA	
D2xC2LD2DC048	48Vdc	48Vdc	Steady High Power	115mA	181mA	115mA	218mA
			Steady Low Power	62.4mA		62.4mA	
			Flashing 1Hz	47.4mA		47.4mA	
			Flashing 1.5Hz	50.3mA		50.3mA	
			Flashing 2Hz	51.1mA		51.1mA	
			Flashing Double Strike	62.2mA		62.2mA	
			Flashing Triple Strike	69.2mA		69.2mA	
D2xC2LD2AC115	115Vac 60Hz	115-120Vac 50/60Hz	Steady High Power	83mA	89mA	102.4mA	91mA
			Steady Low Power	53mA		88.1mA	
			Flashing 1Hz	68mA		99.7mA	
			Flashing 1.5Hz	64.1mA		97.6mA	
			Flashing 2Hz	59.2mA		93.8mA	
			Flashing Double Strike	68.3mA		99.9mA	
			Flashing Triple Strike	72.8mA		102.3mA	
D2xC2LD2AC230	230Vac 50Hz	220-230Vac 50/60Hz	Steady High Power	52mA	52mA	52mA	72mA
			Steady Low Power	42mA		42mA	
			Flashing 1Hz	70mA		75mA	
			Flashing 1.5Hz	61mA		75mA	
			Flashing 2Hz	51mA		62mA	
			Flashing Double Strike	71mA		71mA	
			Flashing Triple Strike	66mA		69mA	

* For Public Mode Fire Alarm use

** For private mode Fire Alarm or General Signalling use

nominal rms current at nominal voltage

max. rms current at worst-case voltage in voltage range.

16.2 Surge current for Fire Alarm system use

Table 6 – Surge Currents

Model	Nom. Voltage	Voltage Range	Flash Rate Setting	Init. Peak Surge Current (A)	Init. RMS Surge Current (mA)
D2xC2LD2DC024	24Vdc	Regulated 24 (16-33Vdc)*	1Hz (60fpm)	2.73	240
			80 fpm	2.75	214
			2Hz (120fpm)	2.33	204

17) Tone Table

Tone Selection – To select the required first stage tone set the tone switches 1 to 6 (see Fig 2) to the tone setting shown in the table below. The table also shows which 2nd, 3rd and 4th stage tones are available for use with the selected first stage tone if more than one tone output stage is required.

Stage 1 Tone No	Tone Description	Tone Visual	Switch Settings 1 2 3 4 5 6	Stage 2 Tone (S2)	Stage 3 Tone (S3)	Stage 4 Tone (S2 + S3)
1	1000Hz PFEER Toxic Gas		0 0 0 0 0	3	2	44
2	1200/500Hz @ 1Hz DIN / PFEER P.T.A.P.		1 0 0 0 0	1	3	44
3	1000Hz @ 0.5Hz(1s on, 1s off) PFEER Gen. Alarm		0 1 0 0 0	1	2	44
4	1.4KHz-1.6KHz 1s, 1.6KHz-1.4KHz 0.5s NF C 48-265		1 1 0 0 0	44	24	1
5	544Hz(100mS)/440Hz (400mS) NF S 32-001		0 0 1 0 0	52	19	1
6	1500/500Hz - (0.5s on , 0.5s off) x3 + 1s gap AS4428		1 0 1 0 0	7	44	1
7	500-1500Hz Sweeping 2 sec on 1 sec off AS4428		0 1 1 0 0	6	44	1
8	500/1200Hz @ 0.26Hz(3.3s on, 0.5s off) Netherlands - NEN 2575		1 1 1 0 0	44	24	35
9	1000Hz (1s on, 1s off)x7 + (7s on, 1s off) IMO Code 1a		0 0 0 1 0 0	18	34	1
10	1000Hz (1s on, 1s off)x7 + (7s on, 1s off) IMO Code 1a		1 0 0 1 0 0	21	34	1
11	420Hz(0.5s on, 0.5s off)x3 + 1s gap ISO 8201 Temporal Pattern		0 1 0 1 0 0	44	1	8
12	1000Hz(0.5s on, 0.5s off)x3 + 1s gap ISO 8201 Temporal Pattern		1 1 0 1 0 0	44	1	8
13	422/775Hz - (0.85 on, 0.5 off) x3 + 1s gap NFPA - Temporal Coded		0 0 1 1 0 0	44	1	8
14	1000/2000Hz @ 1Hz Singapore		1 0 1 1 0 0	23	3	35
15	300Hz Continuous		0 1 1 1 0 0	44	24	35
16	440Hz Continuous		1 1 1 1 0 0	44	24	35
17	470Hz Continuous		0 0 0 0 1 0	44	24	35
18	500Hz Continuous IMO code 2 (Low)		1 0 0 0 1 0	44	24	35
19	554Hz Continuous		0 1 0 0 1 0	64	24	35
20	660Hz Continuous		1 1 0 0 1 0	44	24	35
21	800Hz IMO code 2 (High)		0 0 1 0 1 0	44	24	35
22	1200Hz Continuous		1 0 1 0 1 0	44	24	35
23	2000Hz Continuous		0 1 1 0 1 0	15	3	35
24	2400Hz Continuous		1 1 1 0 1 0	48	20	35
25	440 @ 0.83Hz (50 cycles/minute) Intermittent		0 0 0 1 1 0	1	44	8
26	470 @ 0.9Hz - 1.1s Intermittent		1 0 0 1 1 0	1	44	8
27	470Hz @ 5Hz - (5 cycles/second) Intermittent		0 1 0 1 1 0	1	44	8
28	544Hz @ 1.14Hz - 0.875s Intermittent		1 1 0 1 1 0	44	24	8
29	655Hz @ 0.875Hz Intermittent		0 0 1 1 1 0	1	44	8
30	660Hz @ 0.28Hz - 1.8sec on, 1.8sec off Intermittent		1 0 1 1 1 0	44	24	8
31	660Hz @ 3.34Hz - 150mS on, 150mS off Intermittent		0 1 1 1 1 0	30	24	8

32	745Hz @ 1Hz Intermittent		1 1 1 1 1 0	44	24	8
33	800Hz - 0.25sec on, 1 sec off Intermittent		0 0 0 0 0 1	53	24	8
34	800Hz @ 2Hz IMO code 3.a (High) Intermittent		1 0 0 0 0 1	56	24	8
35	1000Hz @ 1Hz Intermittent		0 1 0 0 0 1	44	24	8
36	2400Hz @ 1Hz Intermittent		1 1 0 0 0 1	21	24	8
37	2900Hz @ 5Hz Intermittent		0 0 1 0 0 1	53	24	8
38	363/518Hz @ 1Hz Alternating		1 0 1 0 0 1	1	8	19
39	450/500Hz @ 2Hz Alternating		0 1 1 0 0 1	1	8	19
40	554/440Hz @ 1Hz Alternating		1 1 1 0 0 1	44	24	19
41	554/440Hz @ 0.625Hz Alternating		0 0 0 1 0 1	1	8	19
42	561/760Hz @ 0.83Hz (50 cycles/minute) Alternating		1 0 0 1 0 1	1	8	19
43	780/600Hz @ 0.96Hz Alternating		0 1 0 1 0 1	1	8	19
44	800/1000Hz @ 2Hz Alternating		1 1 0 1 0 1	5	24	19
45	970/800Hz @ 2Hz Alternating		0 0 1 1 0 1	1	8	19
46	800/1000Hz @ 0.875Hz Alternating		1 0 1 1 0 1	53	24	19
47	2400/2900Hz @ 2Hz Alternating		0 1 1 1 0 1	57	24	19
48	500/1200Hz @ 0.3Hz Sweeping		1 1 1 1 0 1	44	24	12
49	560/1055Hz @ 0.18Hz Sweeping		0 0 0 0 1 1	44	24	12
50	560/1055Hz @ 3.3Hz Sweeping		1 0 0 0 1 1	44	24	12
51	600/1250Hz @ 0.125Hz Sweeping		0 1 0 0 1 1	44	24	12
52	660/1200Hz @ 1Hz Sweeping		1 1 0 0 1 1	64	24	12
53	800/1000Hz @ 1Hz Sweeping		0 0 1 0 1 1	56	24	12
54	800/1000Hz @ 7Hz Sweeping		1 0 1 0 1 1	57	24	12
55	800/1000Hz @ 50Hz Sweeping		0 1 1 0 1 1	54	24	12
56	2400/2900Hz @ 7Hz Sweeping		1 1 1 0 1 1	57	24	12
57	2400/2900Hz @ 1Hz Sweeping		0 0 0 1 1 1	47	24	12
58	2400/2900Hz @ 50Hz Sweeping		1 0 0 1 1 1	54	24	12
59	2500/3000Hz @ 2Hz Sweeping		0 1 0 1 1 1	44	24	12
60	2500/3000Hz @ 7.7Hz Sweeping		1 1 0 1 1 1	44	24	12
61	800Hz Motor Siren		0 0 1 1 1 1	44	24	12
62	1200Hz Motor Siren		1 0 1 1 1 1	44	24	12
63	2400Hz Motor Siren		0 1 1 1 1 1	44	24	12
64	Simulated Bell		1 1 1 1 1 1	44	21	12

EU Declaration of Conformity



Manufacturer: European Safety Systems Ltd.
Impress House, Mansell Road, Acton
London, W3 7QH, United Kingdom

Equipment Type: D2xS1, D2xC1X05, D2xC1X10
D2xB1X05, D2xB1X10, D2xB1LD2
D2xC2X05, D2xC2X10, D2xC2LD2
D2xJ1

Directive 2014/34/EU: Equipment and Protective Systems for use in Potentially Explosive Atmospheres (ATEX)

Notified Body for EU type Examination (Module B):	UL International Demko A/S Notified Body No.: 0539 Borupvang 5A, 2750 Ballerup, Denmark
EU-type Examination Certificate (Module B):	DEMKO 14 ATEX 4786493904X
Notified Body for Quality Assurance Notification / Conformity to EU-type based on quality assurance of the production process (Module D):	Sira Certification Service Notified Body No.: 0518 Rake Lane, Eccleston, Chester CH4 9JN, UK
Quality Assurance Notification (Module D):	SIRA 05 ATEX M342
Provisions fulfilled by the equipment:	II 3G Ex na IIC T6/T4/T3/T2/T1 Gc II 3D Ex tc IIIC T55/75/90/95/110°C Dc IP66 Ingress / Dust Protection to EN60079-0 / EN60079-31
Standards applied:	EN60079-0:2012+A11:2013 EN60079-15:2010 EN60079-31:2014

Directive 2014/30/EU: Electromagnetic Compatibility Directive (EMC)

Standards applied:	EN 61000-6-1:2007 EN 61000-6-2:2005 EN 61000-6-3:2007 / A1:2011 / AC: 2012 EN 61000-6-4:2007 / A1: 2011
--------------------	--

Directive 2011/65/EU: Restriction of the use of certain hazardous substances in electrical and electronic equipment (RoHS)

The product and all the components contained within it are in accordance with the restriction of the use of hazardous substances in electrical and electronic equipment.

Regulation (EC) 1907/2006: Registration, Evaluation, Authorisation and Restriction of Chemicals (REACH)

The product and all the components contained within it are free from substances of very high concern.

Other Standards and Regulations

EN 60529:1992+A2:2013 - Degrees of protection provided by enclosures (IP code) – enclosure rated IP66

On behalf of European Safety Systems Ltd., I declare that, on the date the equipment accompanied by this declaration is placed on the market, the equipment conforms with all technical and regulatory requirements of the above listed directives, regulations and standards.

This Declaration is issued under the sole responsibility of the manufacturer.


Martin Streetz
Quality Assurance Manager

Document No.: DC-061_Issue_D
Date and Place of Issue: London, 29/09/2017