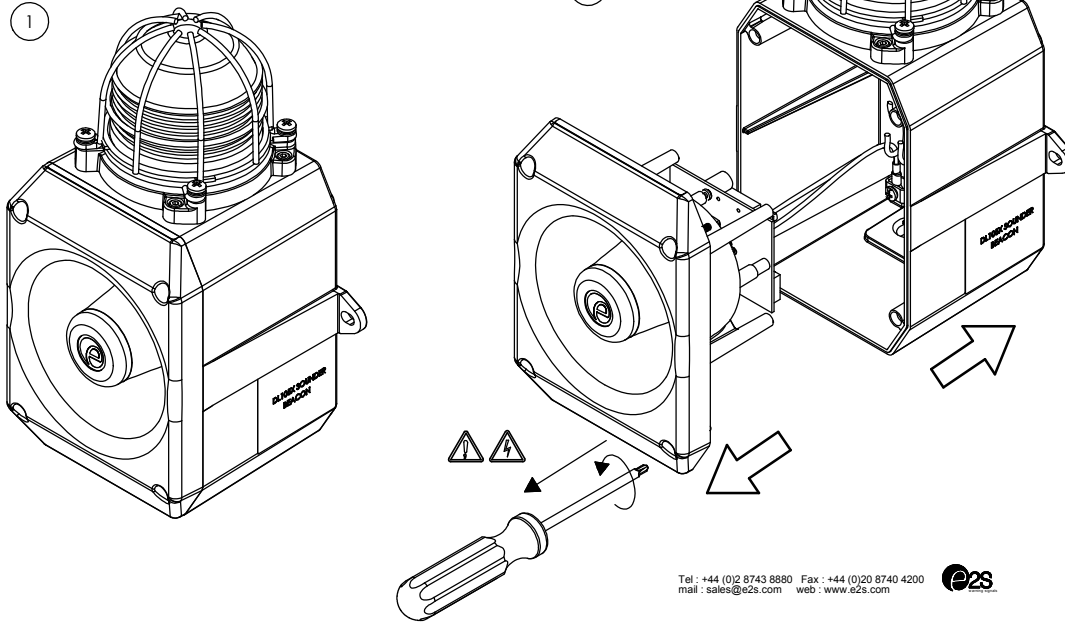


A Alert Alarm DL105X



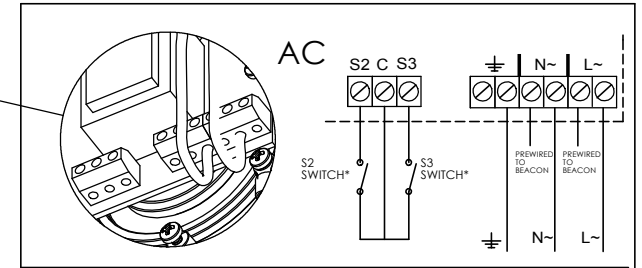
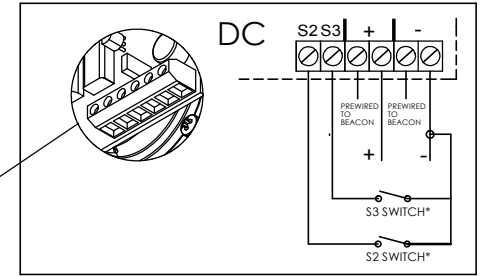
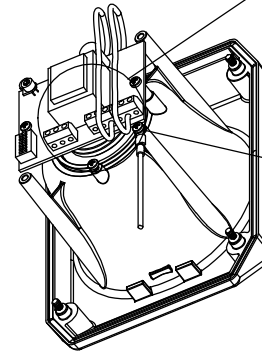
Tel : +44 (0)2 8743 8880 Fax : +44 (0)20 8740 4200
mail : sales@e2s.com web : www.e2s.com



C

TERMINAL BLOCK	A/C INPUT	D/C INPUT
N/-	N~	-
L/+	L~	+
S2	SWITCH TO C	SWITCH TO -
S3	SWITCH TO C	SWITCH TO -

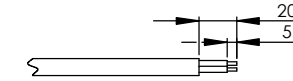
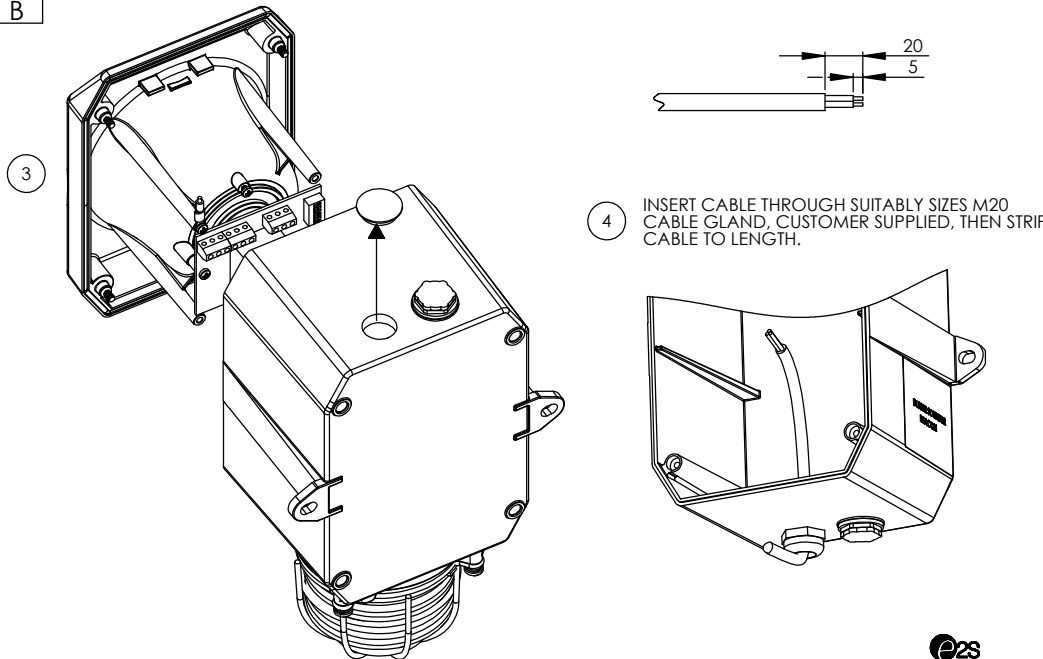
5 CONNECT CABLE AS SHOWN



*S2 & S3 Denote Stage 2 & Stage 3 respectively
Stage switches are customer supplied



B



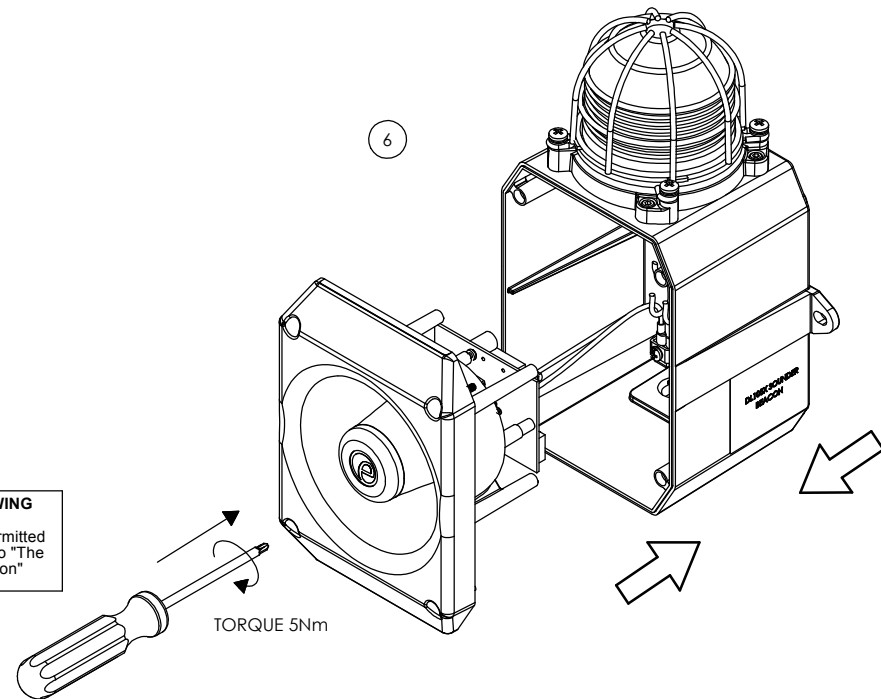
4 INSERT CABLE THROUGH SUITABLY SIZES M20 CABLE GLAND, CUSTOMER SUPPLIED, THEN STRIP CABLE TO LENGTH.

Dimensions in mm



D

RELATED DRAWING
No modification permitted without reference to "The Authorised Person"



TORQUE 5Nm

D172-00-101-45_SHT2_ISSUE_1



A

Alert Alarm

DL105X Metal Sounder Xenon Beacon
 32 Selectable Tones & 3 Stages
 5J Xenon Flash Tube
 Three Modes: Flashing 1Hz,
 Flashing 1.5Hz (DC units only),
 Double Strike (DC Units Only).

DL105X

Dimensions : 268 x 130 x 125mm
 1.5mm² terminals
 Cable entry: 2-off M20 x 1.5mm
 threaded holes.
 Temp: -25°C to +55°C
 Unit weight: 2.1Kg

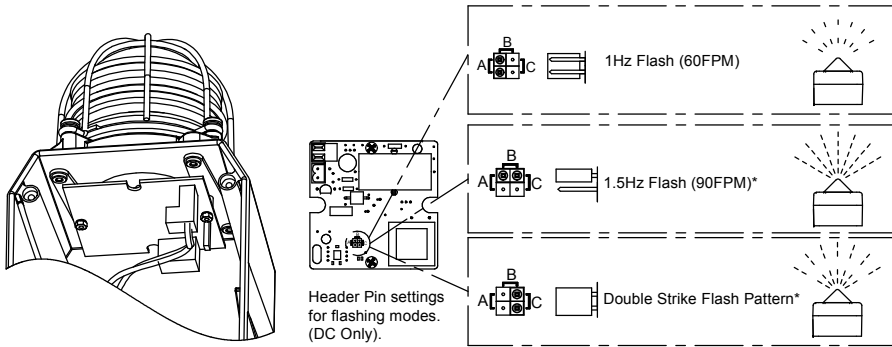
CE
 IP Rating: IP66

Order code	Voltage Range	Nominal Voltage	Sounder Current @Tone 2	Beacon Current
DL105XDC012[X][Y]	10-14 V dc	12 V dc	25mA	380mA
DL105XDC024[X][Y]	20-28V dc	24 V dc	25mA	250mA
DL105XDC048[X][Y]	42-54V dc	48 V dc	50mA	175mA
DL105XAC024[X][Y]	24 ±10% V ac	24 V ac	40mA	300mA
DL105XAC115[X][Y]	115 ±10% V ac	115 V ac	20mA	70mA
DL105XAC230[X][Y]	230 ±10% V ac	230 V ac	15mA	35mA

UL Approved Units
 IP Rating: Type 4 / 4X / 3R / 13, IP66

Order code	Voltage Range	Nominal Voltage	Sounder Current @Tone 2	Beacon Current
DL105XDC012[X][Y]-UL	10-14 V dc	12 V dc	25mA	380mA
DL105XDC024[X][Y]-UL	20-28V dc	24 V dc	25mA	250mA
DL105XDC048[X][Y]-UL	42-54V dc	48 V dc	50mA	175mA
DL105XAC024[X][Y]-UL	24 ±10% V ac	24 V ac	40mA	300mA
DL105XAC115[X][Y]-UL	115 ±10% V ac	115 V ac	20mA	70mA
DL105XAC230[X][Y]-UL	230 ±10% V ac	230 V ac	15mA	35mA

[X] Denotes Body Colour: R = Red; G = Grey; D = Dark Grey
 [Y] Denotes Lens Colour: A = Amber; B = Blue; C = Clear; G = Green; R = Red; Y = Yellow



*Flashing 1.5Hz and Double Strike modes are not available on the following units: DL105XAC024[X][Y]-UL; DL105XAC115[X][Y]-UL & DL105XAC230[X][Y]-UL.

Tel: +44 (0)2 8743 8880 Fax: +44 (0)20 8740 4200
 mail: sales@e2s.com web: www.e2s.com



B

- ATTENTION:** Installation must be carried out by an electrician in compliance with the latest codes and regulations.
- ATTENTION:** Disconnect from power source before installation or service to prevent electric shock.
- ATTENTION:** On strobe beacons allow a minimum of 2 minutes for hazardous high voltage to discharge from unit.



C

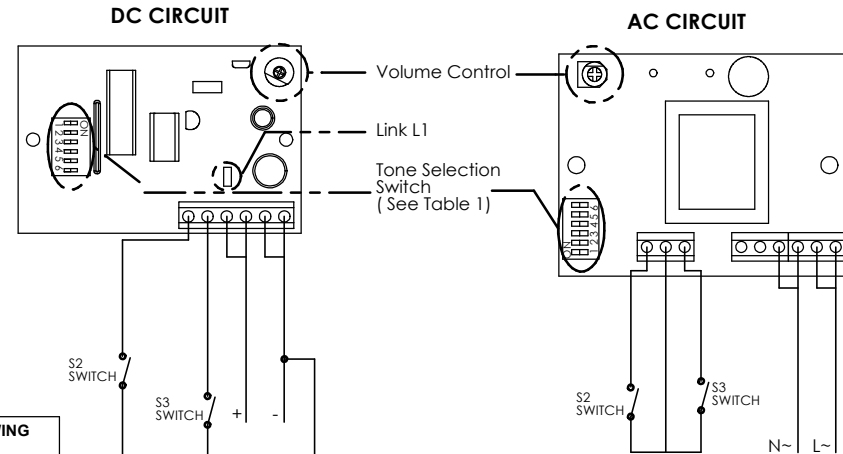
STAGE 1	FREQUENCY DESCRIPTION	dB(A)@ 1m	Switch	Stage 2	Stage 3
STONE 1	340 Hz Continuous	102	[Diagram]	STONE 2	STONE 5
STONE 2	800/1000Hz @ 0.25 sec Alternating	106	[Diagram]	STONE 17	STONE 5
STONE 3	500/1200Hz @ 0.3Hz 0.5 sec Slow Whoop	106	[Diagram]	STONE 2	STONE 5
STONE 4	800/1000Hz @ 1Hz Sw eeping	106	[Diagram]	STONE 6	STONE 5
STONE 5	2400Hz Continuous	112	[Diagram]	STONE 3	STONE 20
STONE 6	2400/2900Hz @ 7Hz Sw eeping	108	[Diagram]	STONE 7	STONE 5
STONE 7	2400/2900Hz @ 1Hz Sw eeping	108	[Diagram]	STONE 10	STONE 5
STONE 8	500/1200/500Hz @ 0.3Hz Sw eeping	106	[Diagram]	STONE 2	STONE 5
STONE 9	1200/500Hz @ 1Hz - DIN / PFEER P.T.A.P.	106	[Diagram]	STONE 15	STONE 2
STONE 10	2400/2900Hz @ 2Hz Alternating	110	[Diagram]	STONE 7	STONE 5
STONE 11	1000Hz @ 1Hz Intermittent	106	[Diagram]	STONE 2	STONE 5
STONE 12	800/1000Hz @ 0.875Hz Alternating	106	[Diagram]	STONE 4	STONE 5
STONE 13	2400Hz @ 1Hz Intermittent	112	[Diagram]	STONE 15	STONE 5
STONE 14	800Hz 0.25sec on, 1 sec off Intermittent	108	[Diagram]	STONE 15	STONE 5
STONE 15	800Hz Continuous	108	[Diagram]	STONE 2	STONE 5
STONE 16	660Hz 150mS on, 150mS off Intermittent	104	[Diagram]	STONE 18	STONE 5
STONE 17	544Hz (100mS)/440Hz (400mS) - NF S 32-001	104	[Diagram]	STONE 2	STONE 27
STONE 18	660Hz 1.8sec on, 1.8sec off Intermittent	104	[Diagram]	STONE 2	STONE 5
STONE 19	1.4KHz-1.6KHz 1s, 1.6KHz-1.4KHz 0.5s -NFC48-265	106	[Diagram]	STONE 2	STONE 5
STONE 20	660Hz Continuous	104	[Diagram]	STONE 2	STONE 5
STONE 21	554Hz/440Hz @ 1Hz Alternating	104	[Diagram]	STONE 2	STONE 5
STONE 22	544Hz @ 0.875 sec. Intermittent	104	[Diagram]	STONE 2	STONE 5
STONE 23	800Hz @ 2Hz Intermittent	108	[Diagram]	STONE 6	STONE 5
STONE 24	800/1000Hz @ 50Hz Sw eeping	108	[Diagram]	STONE 29	STONE 5
STONE 25	2400/2900Hz @ 50Hz Sw eeping	108	[Diagram]	STONE 29	STONE 5
STONE 26	Bell	100	[Diagram]	STONE 2	STONE 15
STONE 27	554Hz Continuous	104	[Diagram]	STONE 26	STONE 5
STONE 28	440Hz Continuous	103	[Diagram]	STONE 2	STONE 5
STONE 29	800/1000Hz @ 7Hz Sw eeping	105	[Diagram]	STONE 7	STONE 5
STONE 30	300Hz Continuous	100	[Diagram]	STONE 2	STONE 5
STONE 31	660/1200Hz @ 1Hz Sw eeping	105	[Diagram]	STONE 26	STONE 5
STONE 32	Two tone chime.	103	[Diagram]	STONE 26	STONE 15

NOTE: Please check factory settings and ensure the correct alarm tone is selected for your country or application

Tone Selection / Switch Setting - Switch settings are shown in the tone selection table. Black squares are the switch levers in the ON positions

Reverse Polarity Switching - On DC versions the second stage alarm tone can be selected by reversing the polarity of the supply voltage if switch 6 is in the ON position and Link L1 is made.

DC Line Monitoring - Remove Link L1 for line monitoring (DC units only).



RELATED DRAWING

No modification permitted without reference to "The Authorised Person"

