

GNExCP6B-BG Break Glass Call Point

The GNExCP6B manual call points are available as break glass, push button or tool reset versions. They are approved for Zone 1, 2, 21 and 22 hazardous areas for the control of fire and gas alarm systems.

All types are available with EOL or series resistors, diode or Zener diodes or an LED indicator and also with either single or double pole change over switches. All versions are certified to ATEX and IECEx standards. GNExCP6C versions are certified for ambient temperatures of +55°C.

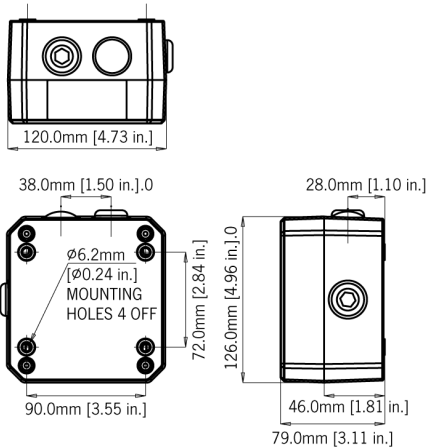
Options

- Alternative housing colours are available to meet specific requirements.
- Single or double pole c/o switch.
- DIN rail mounted terminal blocks: 8 × 2.5mm².
- Metalised polyester or stainless steel "Duty" label.
- Series and/or End of Line resistors, diodes & Zener diodes
- Indicator LED.

Approvals

- ATEX certificate: Sira 09ATEX3286X, IEC 60079-0:2007 Ed 5, EN 60079-1:2004, EN 60079-7:2007, IEC 60079-18:2009 Ed 3, EN 61241-1:2004
- IECEx certificate: IECEx SIR 09.0121X, IEC 60079-0:2007-10 Edition: 5, IEC 60079-1:2003 Edition: 5, IEC 60079-18:2009 Edition: 3, IEC 60079-7:2006-07 Edition: 4, IEC 61241-1:2004 Edition: 1
- SIL 2 certified to IEC 61508 (2010)





Specification

GNEExCP6B:	II 2G Ex d e mb IIC T4 Gb II 2D Ex t IIIC T80°C Db IP66
Ambient:	Ta = -40°C to +50°C/+55°C [-40° to +122°F/+131°F]
Ingress protection:	IP66
Housing material:	GRP - glass reinforced polyester (UV stable)
Colour:	RAL3000 Red (others available on request)
Cable entries:	2 x M20 clearance top and 1 x M20 clearance side. Back box can be rotated to give 2 x bottom and 1 x side entries.
Stopping plugs:	2 x Ex e nylon plugs as standard Brass and stainless steel plugs optional
Terminals:	6 × 4.0mm ² / 8 × 2.5mm ²
Test:	Test key facility
Weight:	1.2Kg/2.64lbs
Note:	For applications that do not require monitoring resistors, diodes or indicator LED's please see the GNEExCP6A-BG version. Data sheet reference: 1.3.04.
	The GNEExCP6B call point can contain a maximum of two resistor or diode E.O.L. or series modules. The LED indicator can be combined with an EOL resistor or diode.

Part Codes

Version:	Part code:	
Product type:	GNEExCP6B-BG	B type - choice of end of line devices
	GNEExCP6C-BG	C type - with +55C certified temperature
Switch Type: [s]	S	SPCO
	D	DPCO
Stopping plug material: [m]	N	Nylon
	B	Brass
	P	Nickel Plated
	S	Stainless Steel
Terminals: [t]	S	Standard 6 × 4mm ²
	D	DIN Rail 8 × 2.5mm ²
Lift flap: [l]	L	Lift flap
	N	No lift flap
Duty label [d]:	N	No duty label
	P	Metalised Polyester
	S	Stainless Steel
Enclosure colour: [x]	RD, BL, GN, YW	Red, Blue, Green, Yellow
	RW, YB, BK	Red/White, Yellow/Black, Black
Voltage: [v]	48, 24, 12, 06	48V, 24V, 12V, 6V System voltage
E.O.L. Module: [Exxx]	ExxxR	Resistor value in Ohms e.g. E470R = 470 Ohm
	ED1	Diode IN4007 = ED1
	ExxxZ	Zener diode e.g. E5V1Z = 5.1V
Series Module: [Sxxx]	SxxxR	Resistor value in Ohms e.g. S1K5R = 1.5K Ohm
	SD1	Diode IN4007 = SD1
	SxxxZ	Zener diode e.g. S5V1Z = 5.1V
	LED	LED = LED indicator
Accessories:	SP65-0001-A2	Pole Mount Bracket Kit 2" St/St A2 (304)
	SP65-0001-A4	Pole Mount Bracket Kit 2" St/St A4 (316)
	SP65-0002-A2	Sunshade - St/St A2 (304)
	SP65-0002-A4	Sunshade - St/St A4 (316)

Versions

Resistors:	Zener Diodes: [CP6B only]			Diodes: [CP6B only]			
	Min. Resistor Value	Min. Resistor Value	Max. Resistor Current (if EOL only):	Zener Voltage:	Max. Input Current:	Max. Voltage:	Max. Current:
56V / 48V	1K8	3K3	0.75A	3.3V	56V 230mA	<56V	0.75A
28V / 24V	470R	820R	1.00A	4.7V	56V 162mA	dc	1.00A
15V / 12V	120R	240R	1.00A	5.1V	56V 149mA	≤50V	300mA
9V / 6V	47R	91R	1.00A	5.6V	56V 136mA	dc	500mA
				6.2V	56V 122mA		
				6.8V	56V 112mA		
				7.5V	56V 100mA		