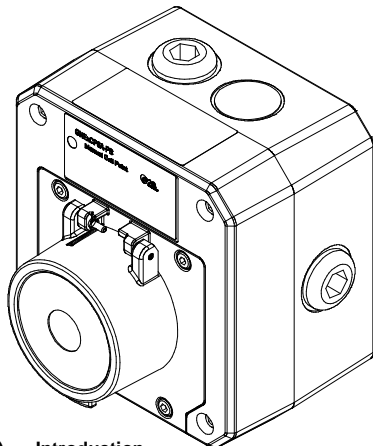


### GNExCP6B-PB Manual Call Point – Push Button With Resistor Modules For use in Flammable Gas and Combustible Dust Atmospheres.



#### 1) Introduction

The GNExCP6B-PB is a push button manual call point which is certified to the European and International Gas and Dust standards. The unit meets the requirements of the ATEX directive 94/9/EC and IECEx scheme.

The call point can be used in hazardous areas where potentially flammable gas and dust atmospheres may be present.

The GNExCP6B-PB has up to two of the following monitoring resistors/diodes/zeners/LEDs. The units are Group II, EPL (equipment protection level) Gb. The equipment is certified 'Ex e d mb IIC T4 Gb' and as such may be used in Zones 1 and 2 with flammable gases and vapours with gas groups IIA, IIB & IIC and temperature classes T1, T2, T3 and T4.

These units are also Group III, EPL Db. The equipment is certified 'Ex t IIIC T80°C Db' and as such may be used in Zones 21 and 22 for combustible dusts groups IIIA, IIIB & IIIC.

#### 2) Marking

All units have a rating label, which carries the following important information:-

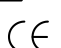

Unit Type No.:  
GNExCP6B-PB Manual Call Point

Input Voltages:  
48VDC nominal 56VDC Max 0.75Amax  
24VDC nominal 28VDC Max 1.0A Max  
12VDC nominal 15VDC Max 1.0A Max  
6VDC nominal 9VDC Max 1.0A Max

Code:  
Ex e d mb IIC T4 Gb  
Ex t IIIC T80 °C Db  
IP66  
-40°C ≤ Ta ≤ +50°C

Certificate No.:  
SIRA 09ATEX3286X  
IECEX SIR 09.0121X

Epsilon x:  II 2GD

CE Marking  0518  
Notified body No. 

Year/Serial No. i.e. 12/1CP6BPB000001

**WARNING - DO NOT OPEN WHEN AN  
EXPLOSIVE ATMOSPHERE MAY BE PRESENT,  
ELECTROSTATIC HAZARD – CLEAN ONLY  
WITH A DAMP CLOTH**

#### 3) Type Approval Standards

The call point has an EC Type examination certificate issued by SIRA and have been approved to the following standards:-

IEC 60079-0:2007  
EN 60079-1:2004 / IEC 60079-1:2003  
EN 60079-7:2007 / IEC 60079-7:2006  
IEC 60079-18:2009

EN 61241-1:2004 / IEC 61241-1:2004

The equipment is certified for use in ambient temperatures in the range -40°C to +50°C and shall not be used outside this range.

#### 4) Installation Requirements

Installation of this equipment shall only be carried out by suitably trained personnel in accordance with the applicable code of practice e.g. IEC 60079-14/EN 60079-14

Repair of this equipment shall only be carried out by the manufacturer or in accordance with the applicable code of practice e.g. IEC 60079-19/EN 60079-19.

The certification of this equipment relies on the following materials used in its construction:

Enclosure: GRP - Glass Reinforced Polyester

Through enclosure mechanism: Plastic Nylon Zytel Injection Moulded

Sealing of enclosure and mechanism: O-ring Acrylonitrile-Butadiene Rubber

Potting Compound of resistors where used: Epoxy Resin

If the equipment is likely to come into contact with aggressive substances, then it is the responsibility of the user to take suitable precautions that prevent it from being adversely affected, thus ensuring that the type of protection is not compromised.

"Aggressive substances" - e.g. acidic liquids, gases or solvents that may affect polymeric materials.

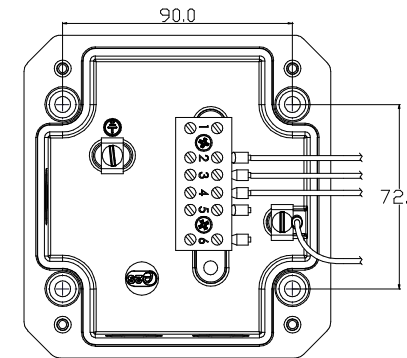
"Suitable precautions" - e.g. regular checks as part of routine inspections or establishing from the material's data sheet that it is resistant to specific chemicals.

Refer to certificates SIRA 09ATEX3286X and IECEX SIR 09.0121X for special conditions of safe use.

Under extreme conditions the unit may generate an ignition-capable level of electrostatic charges. The unit must not be installed in a location where it may be subjected to external conditions (such as high pressure steam) which may cause a build-up of electrostatic charges on non-conducting surfaces. Cleaning of the unit must only be carried out with a damp cloth.

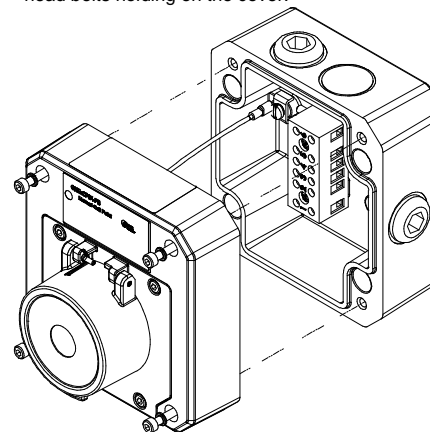
#### 5) Call Point Location and Mounting

The location of the call point should enable ease of access for operation and testing. The unit should be mounted using the 4 off fixing holes which will accept up to M4 sized fixings.



View of base unit showing fixing centres (in mm).

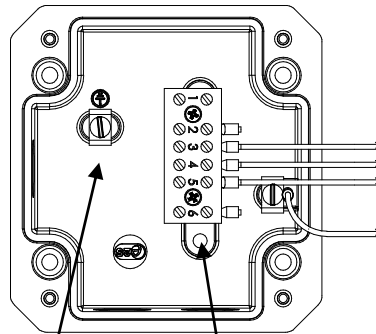
To gain access to the mounting holes in the base the front cover must be removed. This is achieved by removing the 4 off M4 cap head bolts holding on the cover.



Once the screws are removed the cover will hang down out of the way to gain access to the Ex e terminal block, the internal earth terminal and mounting hole recesses.

## 6) Earthing

The unit has an internal earth terminal. It is recommended that a cable crimp lug is used on the earth wires. The internal earth wire is placed under an earth clamp which will stop the cable twisting. This is secured by an M4 screw and spring washer.



Internal Earth terminal  
Ex e terminal block

## 7) Cable connections

There are 3 off cable entries for M20x1.5 Ex e approved cable glands or stopping plugs with a minimum ingress protection of IP66

The unit can be wired in a number of different ways depending on the device combination selected.

EOL (End of line) device; resistor – ExxxR / diode – ED1 / zener – ExxxZ  
Series (In line) device; resistor – SxxxR / diode – SD1 / zener – SxxxZ / LED  
Microswitch 1 = M/S 1  
Microswitch 2 = M/S 2

The unit can be wired with a maximum of 2 module devices – see wiring diagrams.

Note:- The maximum voltage stated must not be exceeded, as the internal resistor modules are rated as compliant with Ex mb according to the units voltage

Please refer to wiring diagrams on sheets 3 & 4.

When wiring to Increased Safety terminal enclosures, you are only permitted to connect one wire into each way on the terminal block, unless a pair of wires are crimped into a suitable ferrule. Wire sizes allowable are 0.5sqmm to 4.0sqmm

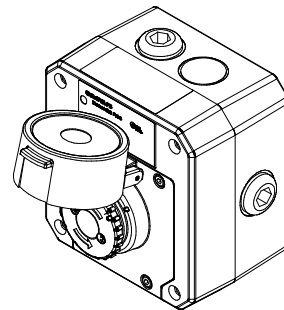
The terminals are only permitted to be wired with cable in an ambient temperature range of between -10°C to 80°C. All terminal screws, used or unused, must be fully tightened down.

Leads connected to the terminals must be insulated for the appropriate voltage and this insulation must extend to within 1mm of the metal of the terminal throat.

## 8) Testing unit operation

The push button unit can be tested without the need to replace any element.

To test, lift the cover lift flap to reveal the push button. The button should be pressed into the body to activate the unit and place it into the operated condition.

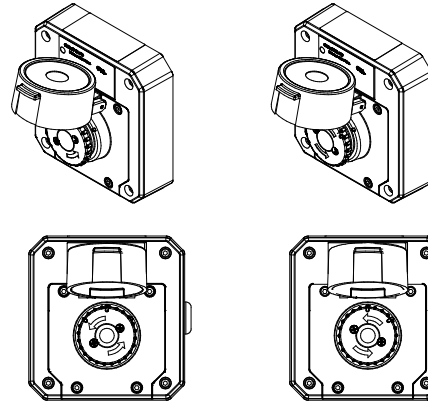


The call point switch will now change over its contacts to operate the alarm.

Once testing is complete the unit needs to be reset from the operated condition.

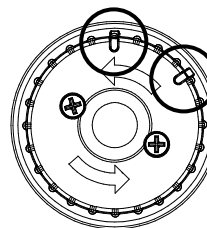
Rotate the push button anticlockwise by an angle of 55°, see guide alignment marks on the button and cover, shown below (1). The push button should pop back up to its original position. Ensure that the push button has also twisted back clockwise by 55° to its original position see guide

marks on button and cover, shown below (2). The unit is now reset



1. On operated unit twist push button anticlockwise 55° to reset

2. Button should pop up and twist back to original position



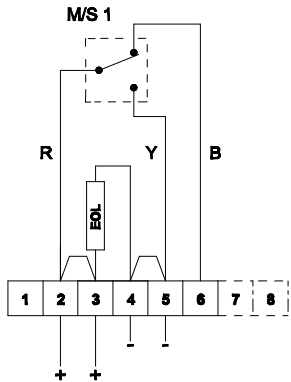
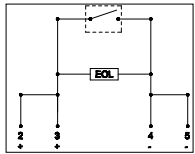
Note: use alignment marks circled to indicate the push buttons status/position

Unit currently shown as 'standby condition'

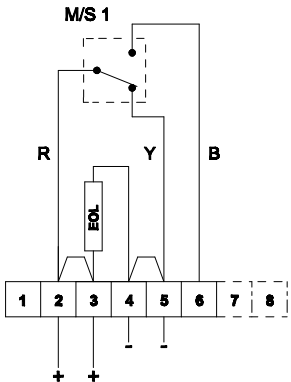
Resetting an operated unit is the same as resetting a tested unit.

### Single Microswitch with EOL (End Of Line ) Device

Resistor: - ExxxR  
 Diode: - ED1  
 Zener Diode: - ExxxZ



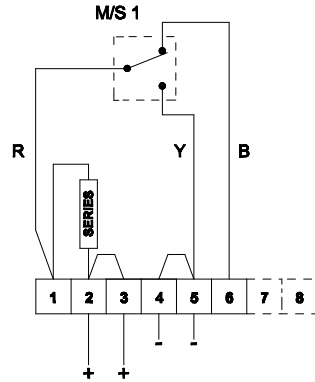
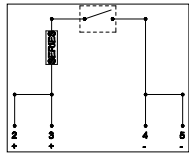
**1A - Circuit shown in Unoperated condition**  
 Terminals +(2,3) & -(4,5) open  
 Terminals +(2,3) & (6) closed



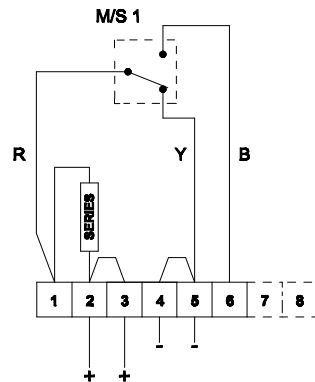
**1B - Circuit shown in Operated condition (Button pressed In)**  
 Terminals +(2,3) & -(4,5) closed  
 Terminals +(2,3) & (6) open

### Single Microswitch with Series Device

Resistor: - SxxxR  
 Diode: - SD1  
 Zener Diode: - SxxxZ  
 LED: - LED



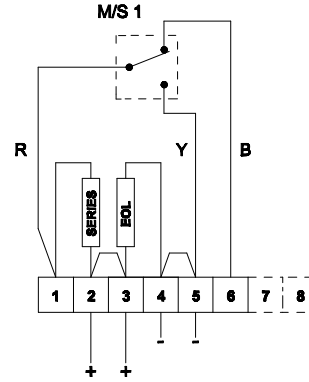
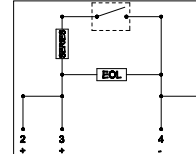
**2A - Circuit shown in Unoperated condition**  
 Terminals +(2,3) & -(4,5) open  
 Terminals +(2,3) & (6) closed



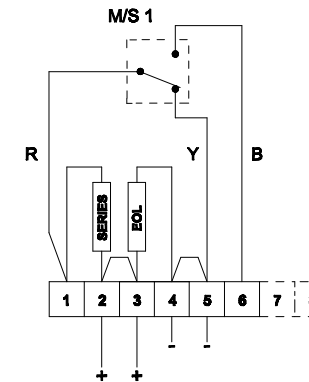
**2B - Circuit shown in Operated condition (Button pressed In)**  
 Terminals +(2,3) & -(4,5) closed  
 Terminals +(2,3) & (6) open

### Single Microswitch with EOL & Series Device

Resistor: - EOL Series  
 Diode: - ExxxR SxxxR  
 Zener Diode: - ED1 SD1  
 LED: - ExxxZ SxxxZ  
 LED: - N/A LED



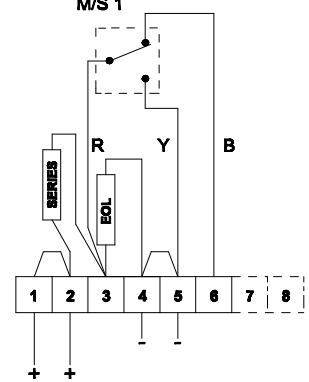
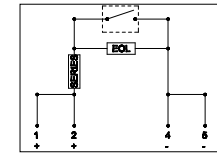
**3A - Circuit shown in Unoperated condition**  
 Terminals +(2,3) & -(4,5) open  
 Terminals +(2,3) & (6) closed



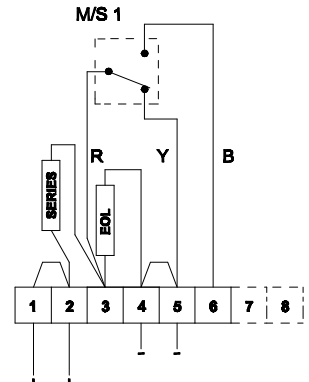
**3B - Circuit shown in Operated condition (Button pressed In)**  
 Terminals +(1,2) & -(4,5) closed  
 Terminals +(2,3) & (6) open

### Single Microswitch with EOL & Series Device Wiring Option 2 -W2

Resistor: - EOL Series  
 Diode: - ExxxR SxxxR  
 Zener Diode: - ED1 SD1  
 LED: - ExxxZ SxxxZ  
 LED: - N/A LED



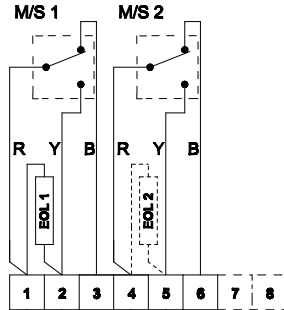
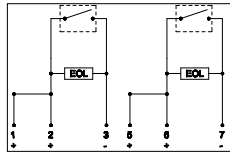
**4A - Circuit shown in Unoperated condition**  
 Terminals +(1,2) & -(4,5) M/S 1 open  
 Terminals +(1,2) & (6) M/S 1 closed



**4B - Circuit shown in Operated condition (Button pressed In)**  
 Terminals +(1,2) & -(4,5) M/S 1 closed  
 Terminals +(1,2) & (6) M/S 1 open

**Dual Microswitch with EOL (End Of Line ) Device/s**

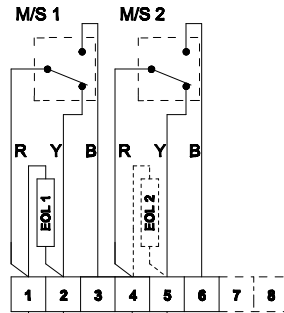
Resistor: - ExxxR  
 Diode: - ED1  
 Zener Diode: - ExxxZ



M/S 1 M/S 2

**4A - Circuit shown in Unoperated condition**

Terminals + (1) & -(2) M/S 1 open and +(4) & -(5) M/S 2 open  
 Terminals +(1) & (3) M/S 1 and +(4) & (6) M/S 2 closed



M/S 1 M/S 2

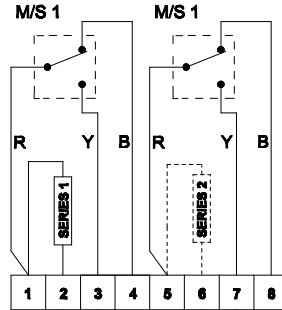
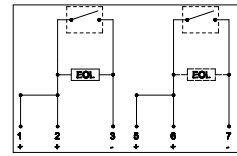
**4B - Circuit shown in Operated condition (Button pressed In)**

Terminals + (1) & -(2) M/S 1 open and +(4) & -(5) M/S 2 closed  
 Terminals +(1) & (3) M/S 1 and +(4) & (6) M/S 2 open

**(DIN RAIL ONLY)**

**Dual Microswitch with Series Device/s**

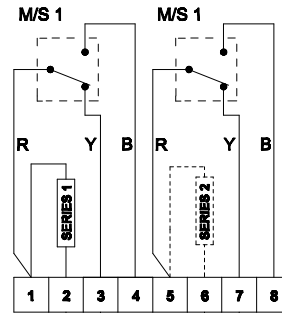
Resistor: - SxxxR  
 Diode: - SD1  
 Zener Diode: - SxxxZ  
 LED: - LED



M/S 1 M/S 2

**5A - Circuit shown in Unoperated condition**

Terminals +(2) & -(3) M/S 1 and +(6) & -(7) M/S 2 open  
 Terminals +(2) & (4) M/S 1 and +(6) & (8) M/S 2 closed



M/S 1 M/S 2

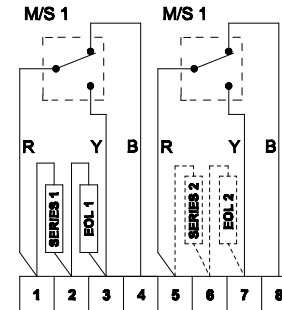
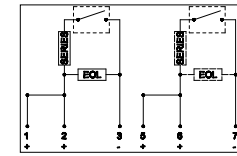
**5B - Circuit shown in Operated condition (Button pressed In)**

Terminals +(2) & -(3) M/S 1 and +(6) & -(7) M/S 2 closed  
 Terminals +(2) & (4) M/S 1 and +(6) & (8) M/S 2 open

**(DIN RAIL ONLY)**

**Dual Microswitch with EOL & Series Device/s**

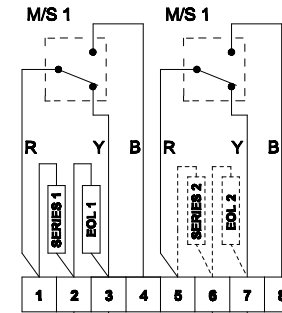
Resistor: - ExxxR SxxxR  
 Diode: - ED1 SD1  
 Zener Diode: - ExxxZ SxxxZ  
 LED: - N/A LED



M/S 1 M/S 2

**6A - Circuit shown in Unoperated condition**

Terminals +(2) & -(3) M/S 1 and +(6) & -(7) M/S 2 open  
 Terminals +(2) & (4) M/S 1 and +(6) & (8) M/S 2 closed



M/S 1 M/S 2

**6B - Circuit shown in Operated condition (Button pressed In)**

Terminals +(2) & -(3) M/S 1 and +(6) & -(7) M/S 2 closed  
 Terminals +(2) & (4) M/S 1 and +(6) & (8) M/S 2 open