

# STExJ2 Ex d Junction Box

The STExJ2 is an IECEx & ATEX approved explosion proof junction box. The robust IP66 corrosion proof 316L stainless steel enclosure and extended temperature range ensures the STExJ2 is suitable for all Zone 1, 2, 21 & 22 hazardous location applications.

The 316L enclosure is chromated with a powder coated surface finish and features a threaded flame path, four cable entries and a large termination area - all of which significantly reduce installation time.

## Features

- Robust, corrosion proof 316L stainless steel enclosure
- Ingress protection IP66
- Threaded flame path simplifies installation and inspection
- 316 Stainless steel stopping plugs included
- 4 x M20 cable entries

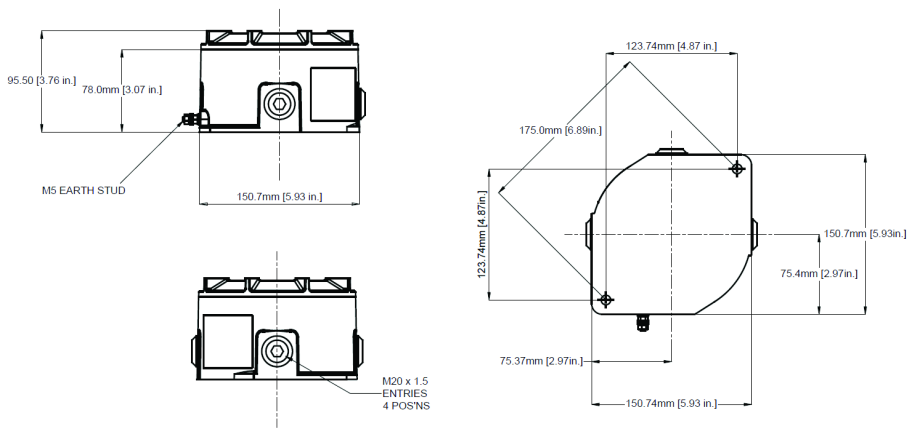
## Approvals

- IECEx ULD 16.0017X  
IEC 60079-0 : 2011  
IEC 60079-1 : 2014  
IEC 60079-31 : 2013
- ATEX DEMKO 16 ATEX 1466X  
EN 60079-0 : 2012 + A11 : 2013  
EN 60079-1 : 2014  
EN 60079-31 : 2014
- TR-CU Ex EAC certificate: RU C-GB.AA71.B.00109

## Coding

- II 2G Ex db IIC T6 Gb Ta. -50° to +65°C
- II 2G Ex db IIC T5 Gb Ta. -50° to +70°C
- II 2D Ex tb IIIC T85°C Db Ta. -50° to +70°C





## Specification

Terminals:	DIN Rail 12 x AKZ 2.5 Earth 4 x AKE 2.5
Voltages DC:	60Vdc max.
Voltages AC:	2 60Vac 50/60Hz max.
Power:	5W max.
Ingress protection:	EN60529: IP66
Enclosure material:	316L Stainless Steel
Colour:	Red - can be provided in alternative colours
Finish:	Chromate & powder coat finish
Cable entries:	4 x M20 ISO (3 x stopping plugs included as standard) Adaptors to M25, 1/2" & 3/4" NPT can be specified
Enclosure volume:	<2 litres
Grounding stud:	M5
Temperature range:	-50° to +70°C (-58°F to +158°F)
Relative humidity:	95%
Weight:	5.0kg/11.02lbs

## Part Codes

Version:	Part code:
Product type:	STExJ2
Terminal configuration:	D01 DIN Rail 12 x AKZ 2.5 + 4 x AKE 2.5 T01 12 way Terminal Block
Cable Entry Type: [e]	A 4 x M20x1.5mm B 2 x 1/2" NPT - adaptors C 2 x 3/4" NPT - adaptors D 2 x M25x1.5mm - adaptors E 1 x 1/2" NPT - adaptor F 1 x 3/4" NPT - adaptor G 1 x M25x1.5mm - adaptor H 3 x 1/2" NPT - adaptors I 3 x 3/4" NPT - adaptors J 3 x M25x1.5mm - adaptors K 4 x 1/2" NPT - adaptors L 4 x 3/4" NPT - adaptors M 4 x M25x1.5mm - adaptors
Note: 4 x M20 supplied with 3 x M20 stopping plugs. 2 x adaptors supplied with 2 x M20 stopping plugs. 3 x adaptors supplied with 1 x M20 stopping plug.	
Adaptor/Stopping plug material: [m]	B Brass N Nickel Plated S Stainless Steel (standard)
Equipment Tag: [s]	1 No equipment tag 2 Equipment tag (304/A2)
Product version: [v]	A1 IECEx & ATEX Group II 2G/D Zone 1, 2, 21 & 22
Enclosure colour: [x]	R Red RAL3000 S Special - contact E2S for alternative enclosure colours
Example:	STExJ2D01 [e][m][s][v][x] STExJ2D01AS1A1R