



# Electronic Horn/Strobe Signal Appliance Installation Sheet

## Description

The horn/strobes are high quality signals intended for use in cUL general signaling applications. The strobes flash at 1 fps across their full operating voltage range. See Table 1 for model numbers and "Specifications" for details.

Table 1: Models

Number	Description
867STR(*)-**	Horn/Strobe, Surface Mount Indoor, Gray
868STR(*)-**	Horn/Strobe, Surface Mount Outdoor, Gray
869STR(*)-**	Horn/Strobe, Flush or Panel Mount Indoor, Gray

\* Insert lens color: C = Clear, R = Red, G = Green, B = Blue, A = Amber.

\*\* The horns are available in two voltages. Insert suffix as required: N5 = 120 VAC, AQ = 24 V AC/DC

## Installation

Install and wire this device in accordance with applicable national and local codes, ordinances, and regulations, and in a manner acceptable to the local authority having jurisdiction.

### WARNINGS

- To reduce the risk of shock, do not connect AC or battery power to the horn until directed in these instructions.
- To reduce the risk of shock, do not tamper with this device when the signal circuit is energized. Disconnect all power and wait 5 minutes for stored energy to dissipate before handling.

- Select a mounting method as detailed in Figure 1 and install the electrical box using suitable hardware.

For outdoor applications, install the weatherproof box using four #10 x 1-1/4 (32 mm) screws and caplugs provided in the enclosed parts bag. Carefully adhere the gasket, part number P-007549-0082 (provided in the enclosed parts bag) to the box as shown in Figure 1.

### Notes

- Be sure that the hook flange is facing outward as shown in Figure 1 (item 10).
- The designation "TOP" on boxes denotes orientation of box after installation.

- Attach the mounting plate using two #8-32 screws provided with the surface box or four #8-32 screws provided with weatherproof box. The flush box uses two #8-32 screws (not provided).
- Bring the signaling circuit field wiring into the electrical box.
- Connect signaling circuit field wires to terminals on horn/strobe assembly (Figure 2 through Figure 4).
- Ground in accordance with national and local electrical codes. A green ground screw is provided with both the indoor and outdoor surface boxes.

- Mount the horn/strobe on the mounting plate (Figure 1).
  - The inside of the top of the grille has hinges that pass through cutouts and engage with tabs on the mounting plate. With the bottom of the grille lifted out slightly, place the grille over the mounting plate so that the hinges of the grille are in the mounting cutouts.
  - Properly seat the grille by pressing the bottom in.
  - Fasten the bottom of the grille to the mounting plate by installing the captive combination drive screw.
- Apply power and activate the horn/strobe unit to verify that it is operating properly.

## Maintenance

**Caution:** Should the unit fail to operate properly, do not attempt repair. Contact the supplier for replacement.

Perform a visual inspection and an operational test twice a year.

## Specifications

	N5 model	AQ model	
Operating voltage*	120 VAC 50/60 Hz	24 VAC 50/60 Hz	24 VDC
Operating current, horn**	33 mA	72 mA	22 mA
Operating current, strobe**	115 mA	390 mA	390 mA
Flash rate (per second)	Approximately 1 fps		
Sound level output at 10 ft. (3.05 m) anechoic chamber	90 dBA nominal		
Operating environment	Indoor: 93% at 90°F (32°C) relative humidity; 32 to 120°F (0 to 49°C) variable ambient temperature Outdoor: 98% at 104°F (40°C) relative humidity; -31 to 150°F (-35°F to 66°C) variable ambient temperature		

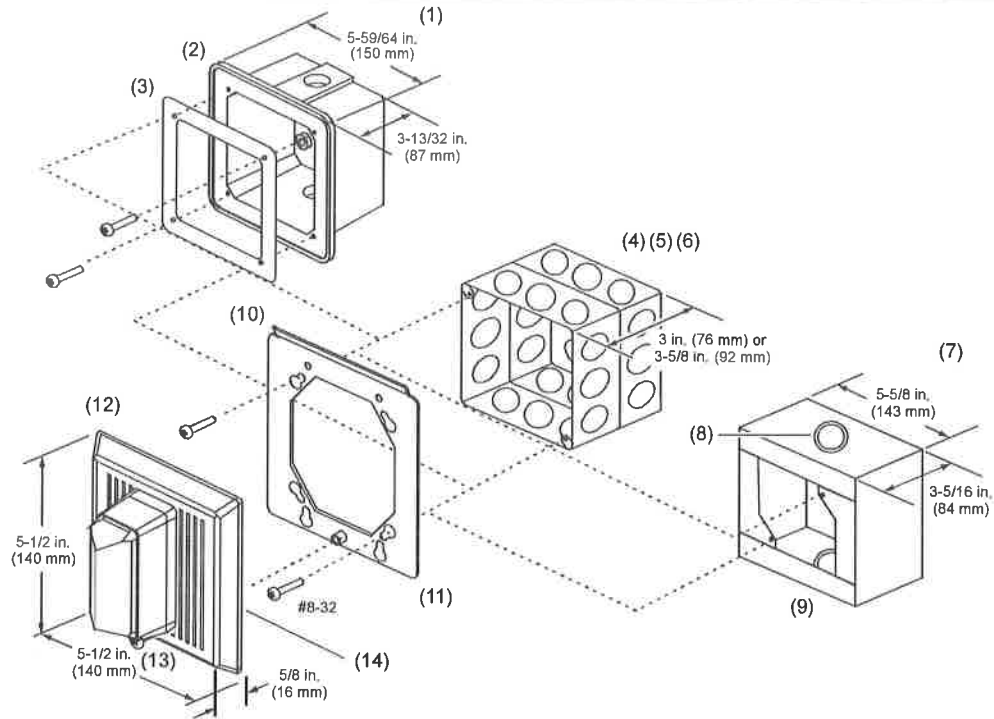
\* The operating voltage to the horn may be continuous or coded such as march time or a temporal pattern meeting ISO8201 (ANSI S3.41) Audible Emergency Evacuation Signal.

\*\* Horn and strobe currents are additive when connected in parallel.

Models 867STR(\*)-AQ, 868STR(\*)-AQ and 869STR(\*)-AQ potentially generate timing signals or pulses above 9 kHz and therefore have been tested and found to comply with the limits for a Class A digital device, pursuant to Part 15 of the FCC Rules. These limits are designed to provide reasonable protection against harmful interference when the equipment is operated in a commercial environment. This equipment generates, uses and can radiate radio frequency energy and, if not installed and used in accordance with the instruction manual, may cause harmful interference to radio communications. Operation of this equipment in a residential area is likely to cause harmful interference in which case the user will be required to correct the interference at his own expense.

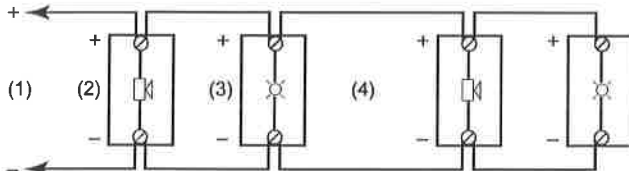
**Caution:** Changes or modifications to this equipment not expressly approved by the party responsible for compliance could void the user's authority to operate the equipment.

Figure 1: Detailed view



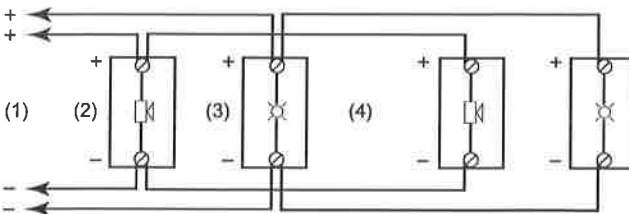
- (1) Surface (outdoor)
- (2) Weatherproof box
- (3) Gasket
- (4) Flush/Panel
- (5) Standard North American 4 in. sq. x 1-1/2 in. deep electrical box (Universal #52171) with 1-1/2 in. (38 mm) deep extension ring (Universal #53151 or equivalent)
- (6) CAUTION CANADA: If using Iberville (Commander) extension ring, use standard North American box with 2-1/8 in. (54 mm) deep extension ring (Universal #53171)
- (7) Surface (indoor)
- (8) Knockouts for 1/2 in. (13 mm) or 3/4 in. (19 mm) conduit; top, bottom, back
- (9) Surface box
- (10) Hook flange
- (11) Mounting plate (supplied)
- (12) Electronic horn/strobe
- (13) Captive combination drive screw
- (14) Terminal block (see Figure 4)

Figure 2: Wiring the horn and strobe on the same circuit



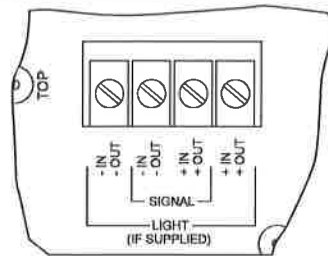
- (1) Applicable voltage source
- (2) Horn
- (3) Strobe
- (4) Polarity must be observed for units operating on VDC

Figure 3: Wiring the horn and strobe on different circuits



- (1) Applicable voltage source
- (2) Horn
- (3) Strobe
- (4) Polarity must be observed for units operating on VDC

Figure 4: Terminals



Regulatory information

Ratings CAN/CSA C22.2 No. 205  
UL 464

Contact information

For contact information, see [www.edwardsfiresafety.com](http://www.edwardsfiresafety.com)

© 2015 Walter Kidde Portable Equipment, Inc.  
All rights reserved.