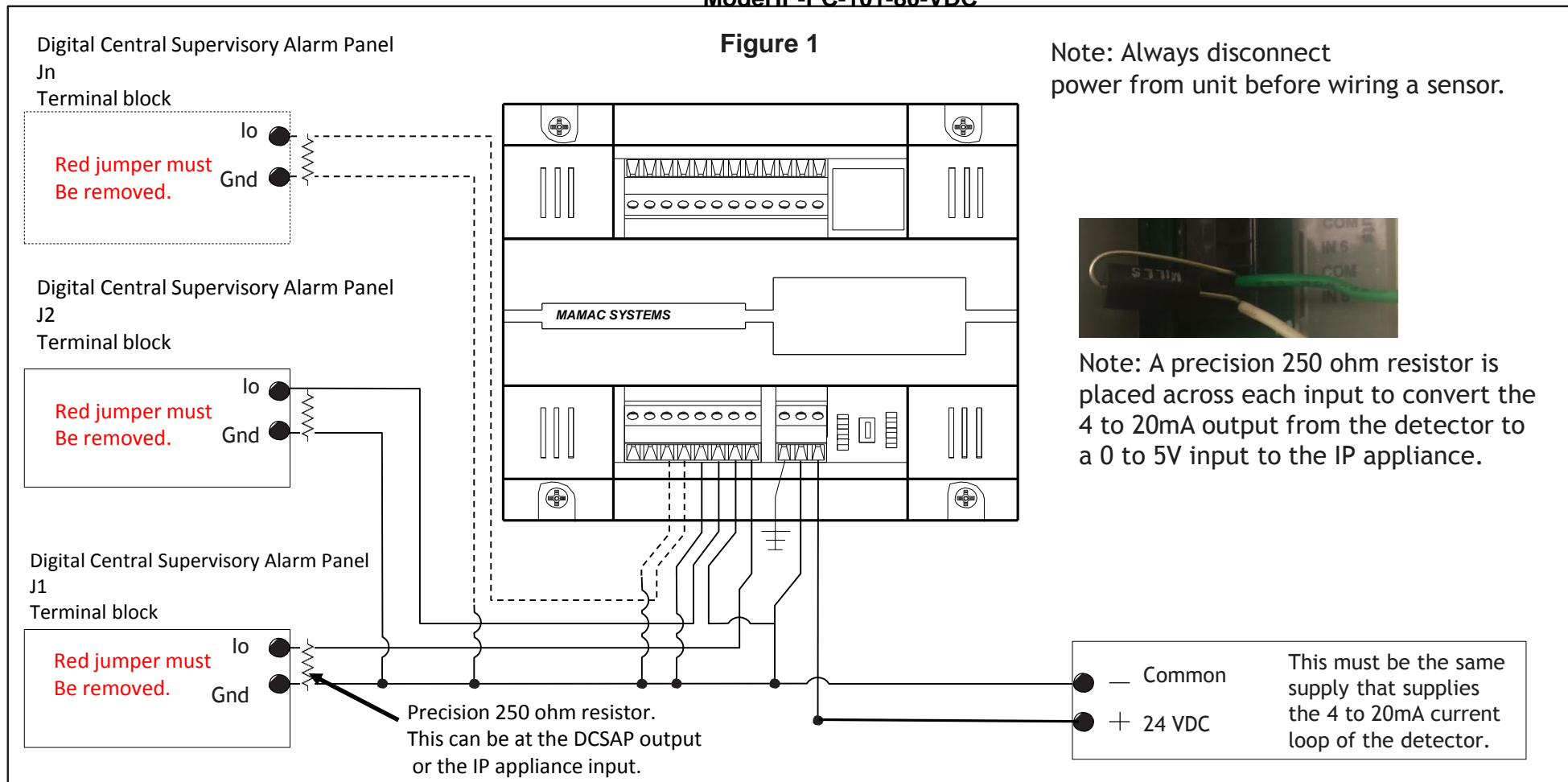


Cool Air Inc. Wiring Instructions

Maverick IP Sensor Appliance to Digital Central Supervisory Alarm (DCSAP) Panel for Ammonia

4 to 20mA output.

Model IP-PC-101-80-VDC



This is the input configuration screen.

15:53:45 February 17, 2016

IP-PC-101-80-VDC

Configuration | Inputs | Input 1

MAMAC SYSTEMS

Main
Data Logging
Configuration

Input 1

Name:

Real Value Limits and Units

Min Value	Max Value	Units
<input type="text" value="-100.0"/>	<input type="text" value="400.0"/>	<input type="text" value="PPM"/>

Email Alert Configuration

Alert Enable On Off

Lower Value
Alert Disable ▾

Upper Value
Alert Disable ▾

Alert Wait ▾

Attach Log On Off

© Copyright 2008-11 www.mamacsys.com © Registered trademark MAMAC SYSTEMS, Inc.

This is where you name the input to identify the detector it corresponds to.

Input scaling. SEE Page \$.

After naming and scaling the input be sure to click this button.

This is the input List screen with input type selection.

The screenshot shows a web browser window with the URL <http://192.168.1.10/setchan.html>. The page title is "IP-PC-101-80-VDC" and the device is identified as "IP Maverick Sensor Appliance". The date is February 17, 2016, and the time is 15:52:52. The interface includes a navigation menu on the left with "Main", "Data Logging", and "Configuration" options. The main content area has a "CONFIGURATION (1-8)" section with radio buttons for "0-10V", "0-5V" (selected), and "Digital Input". A note states "Be sure the 0-5V is selected." Below this is a "SETUP" button and a table of input configurations. The table has columns for "Input", "Input Name", "IO Type", "Min Value", "Max Value", and "Unit". All inputs are configured with "0-5V" type and "PPM" units. A "Save" button is located below the table.

15:52:52 February 17, 2016

IP-PC-101-80-VDC Configuration | Inputs

MAMAC SYSTEMS

Main
Data Logging
Configuration

CONFIGURATION (1-8)

0-10V 0-5V Digital Input Be sure the 0-5V is selected.

SETUP

Input Description			Analog Values		
Input	Input Name	IO Type	Min Value	Max Value	Unit
Input 1	xxxx	0-5V	-100.0	400.0	PPM
Input 2	xxxx	0-5V	-100.0	400.0	PPM
Input 3	xxxx	0-5V	-100.0	400.0	PPM
Input 4	xxxx	0-5V	-100.0	400.0	PPM
Input 5	xxxx	0-5V	-100.0	400.0	PPM
Input 6	xxxx	0-5V	-100.0	400.0	PPM
Input 7	xxxx	0-5V	-100.0	400.0	PPM
Input 8	xxxx	0-5V	-100.0	400.0	PPM

Save This is the input list. It shows input name, type and scaling.

© Copyright 2008-11 www.mamacsys.com © Registered trademark MAMAC SYSTEMS, Inc.

To scale the MAMAC inputs to match your LBW-420

Because the MAMAC is a voltage input IP appliance we must convert the 4 to 20mA to 0 to 5Vdc by adding a precision 250 resistor across each MAMAC input. 4mA will be 1Vdc and 20mA will be 5Vdc. Therefor the following will be true.

Range (in PPM)	OPPM (in Vdc)	MAX Range PPM (in Vdc)	PPM / Vdc	MAMAC input max value	MAMAC input Min Value
0 – 100	1Vdc	5Vdc	25	100	-25
0 – 250	1Vdc	5Vdc	62.5	250	-62.5
0 – 400	1Vdc	5Vdc	100	400	-100
0 – 500	1Vdc	5Vdc	125	500	-125
0 – 800	1Vdc	5Vdc	200	800	-200
0 – 1000 (1E3)	1Vdc	5Vdc	250	1000	-250

This is the screen that monitors the inputs.

15:51:38 February 17, 2016

IP-PC-101-80-VDC Main

MAMAC SYSTEMS

- Main
- Data Logging
- Configuration

INPUT VALUES	EMAIL ALERT STATUS
Sensor 1: xxxx : -100.0 PPM	Sensor 1: Normal
Sensor 2: xxxx : -100.0 PPM	Sensor 2: Normal
Sensor 3: xxxx : -100.0 PPM	Sensor 3: Normal
Sensor 4: xxxx : -100.0 PPM	Sensor 4: Normal
Sensor 5: xxxx : -100.0 PPM	Sensor 5: Normal
Sensor 6: xxxx : -100.0 PPM	Sensor 6: Normal
Sensor 7: xxxx : -100.0 PPM	Sensor 7: Normal
Sensor 8: xxxx : -100.0 PPM	Sensor 8: Normal

© Copyright 2008-11 www.mamacsys.com © Registered trademark MAMAC SYSTEMS, Inc.

2:51 PM
2/17/2016