

Spectral Arm AB105LDA

Sounder unit A105N

Maximum output: 112 dB(A) @ 1 m

Nominal output: 106 dB(A) @ 1 m - tone 2

32 alarm tones

L.E.D. Array Beacon

16 x High powered L.E.D.'s

9 Selectable user modes

2 Stages on DC units only

IP Rating: IP65

Temp: -25°C to +50°C

Unit weight: 1.15kg DC 1.30kg AC

CE

Dimensions : 130mm(w) x 250mm(h)
1.5mm² terminals

For Lens colour options

x = in order code to be replaced with required lens colour

R = Red A = Amber

B = Blue G = Green

Y = Yellow

Y = in order code to be replaced with required housing colour

R = Red

G = Grey

Order code Nominal voltage & range

AB105LDADC24y/x 24VDC (10-30VDC)

Beacon 250mA Sounder 25mA @ 24VDC

AB105LDADC48y/x 48V DC (35-50VDC)

Beacon 250mA Sounder 50mA @ 48VDC

AB105LDADC115y/x 115VDC (100-135VDC)

Beacon 32mA Sounder 38mA @ 115VAC

AB105LDAAC115y/x 115VAC (103-127VAC)

Beacon 50mA Sounder 20mA @ 115VAC

AB105LDAAC230y/x 230VAC (207-253VAC)

Beacon 50mA Sounder 15mA @ 230VAC

Example:- AB105LDADC24G/R

This example is for a

A105N sounder with L.E.D. Array beacon

running on 24VDC

the housing is grey with a red lens.

ATTENTION: Installation must be carried out by an electrician in compliance with the latest codes and regulations.

ATTENTION: Disconnect from power source before installation or service to prevent electric shock.

ATTENTION: On strobe beacons allow a minimum of 2 minutes for hazardous high voltage to discharge from unit.

ATTENTION: Lens on unit will be hot allow to cool prior to removal.

Tel : +44(0)20 8743 8880 Fax : +44(0)20 8740 4200
mail : sales@e2s.com Web : www.e2s.com



2

AB105LDA Sounder Tone Settings Table

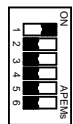
For switch settings please note:-

Where 1 is indicated the switch position is on.

Where 0 is indicated the switch position is off.

Example:-

Table shows 1 0 0 0 0 0 0
Switch setting On Off Off Off Off



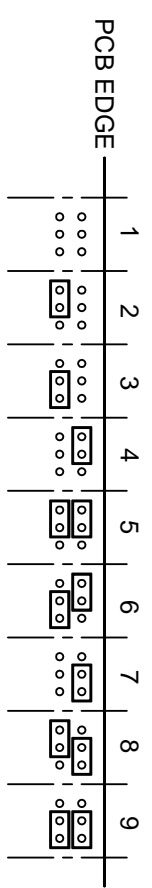
Stage 1	Frequency Description	Switch 1 2 3 4 5 6	Stage 2	Stage 3
1	340Hz Continuous	0 0 0 0 0 0	Tone 2	Tone 5
2	800/1000Hz @ 0.25 sec Alternating	1 0 0 0 0 0	Tone 17	Tone 5
3	500/1200Hz @ 0.3Hz sec Slow Whoop	0 1 0 0 0 0	Tone 2	Tone 5
4	800/1000Hz @ 1Hz Sweeping	1 1 0 0 0 0	Tone 6	Tone 5
5	2400Hz Continuous	0 0 1 0 0 0	Tone 3	Tone 20
6	2400/2900Hz @ 1Hz Sweeping	0 1 0 1 0 0	Tone 7	Tone 5
7	2400/2900Hz @ 1Hz Sweeping	0 1 1 0 0 0	Tone 10	Tone 5
8	500/1200/500Hz @ 0.3Hz Sweeping	1 1 1 0 0 0	Tone 2	Tone 5
9	1200/500Hz @ 1Hz - DIN P/P/E/R F,1,A,P	0 0 0 1 0 0	Tone 15	Tone 2
10	2400/2900Hz @ 2Hz Alternating	1 0 0 1 0 0	Tone 7	Tone 5
11	1000Hz @ 1Hz Intermitent	0 1 0 1 0 0	Tone 2	Tone 5
12	800/1000Hz @ 0.875Hz Alternating	1 1 0 1 0 0	Tone 4	Tone 5
13	2400Hz @ 1Hz Intermitent	0 0 1 1 0 0	Tone 15	Tone 5
14	800Hz 0.25 sec on, 1 sec off Intermitent	1 0 1 1 0 0	Tone 4	Tone 5
15	800Hz Continuous	0 1 1 1 0 0	Tone 2	Tone 5
16	660Hz 150ms on, 150ms off Intermitent	1 1 1 1 0 0	Tone 18	Tone 5
17	544Hz (100ms)/440 Hz (400ms) - NF S 32-00T	0 0 0 0 1 0	Tone 2	Tone 27
18	660Hz 1.8 sec on, 1.8 sec off Intermitent	1 0 0 0 1 0	Tone 2	Tone 5
19	1.4kHz - 1.6kHz 1s, 1.6kHz - 1.4 kHz 0.3s - NF C8-285	0 1 0 0 1 0	Tone 2	Tone 5
20	660Hz Continuous	1 1 0 0 1 0	Tone 2	Tone 5
21	554Hz/440Hz @ 1Hz Alternating	0 0 1 0 1 0	Tone 2	Tone 5
22	544Hz @ 0.875 sec Intermitent	1 0 1 0 1 0	Tone 2	Tone 5
23	800Hz @ 2Hz Intermitent	0 1 1 0 1 0	Tone 6	Tone 5
24	800/1000Hz @ 50Hz Sweeping	1 1 1 0 1 0	Tone 6	Tone 5
25	2400/2900Hz @ 50Hz Sweeping	0 0 0 1 1 0	Tone 29	Tone 5
26	Bell	1 0 0 1 1 0	Tone 2	Tone 15
27	554Hz Continuous	0 1 0 1 1 0	Tone 26	Tone 5
28	440Hz Continuous	1 1 0 1 1 0	Tone 2	Tone 5
29	800/1000Hz @ 7Hz Sweeping	0 0 1 1 1 0	Tone 7	Tone 5
30	300Hz Continuous	1 0 1 1 1 0	Tone 2	Tone 5
31	660/1200Hz @ 1Hz Sweeping	0 1 1 1 1 0	Tone 26	Tone 5
32	Two tone chime	1 1 1 1 1 0	Tone 25	Tone 15

AB105LDA L.E.D. Array Option Settings Table

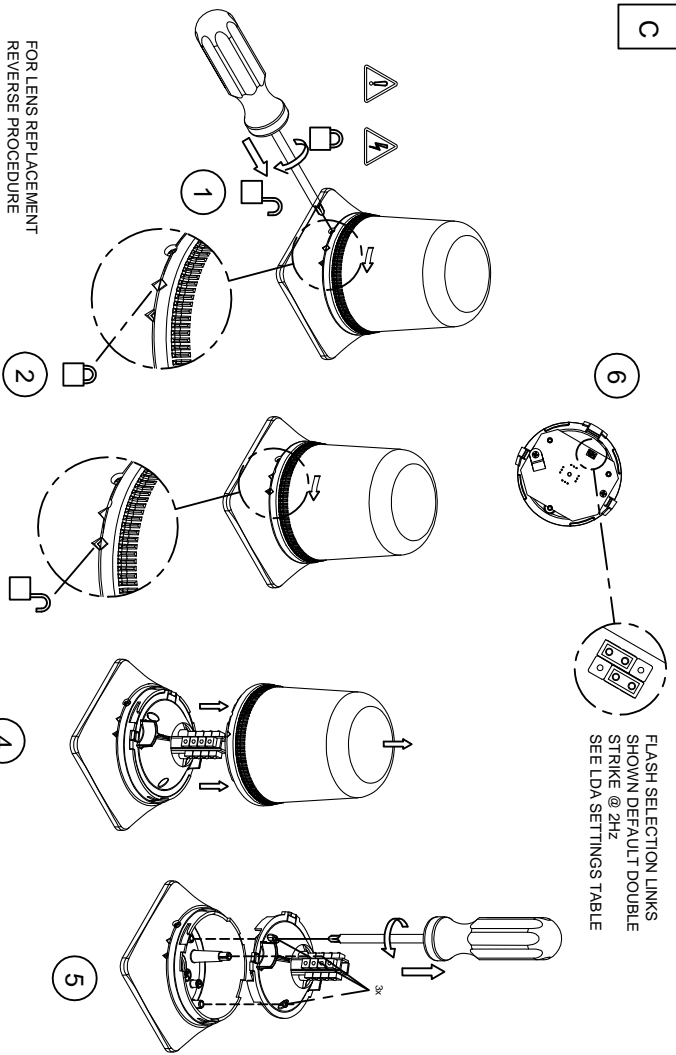
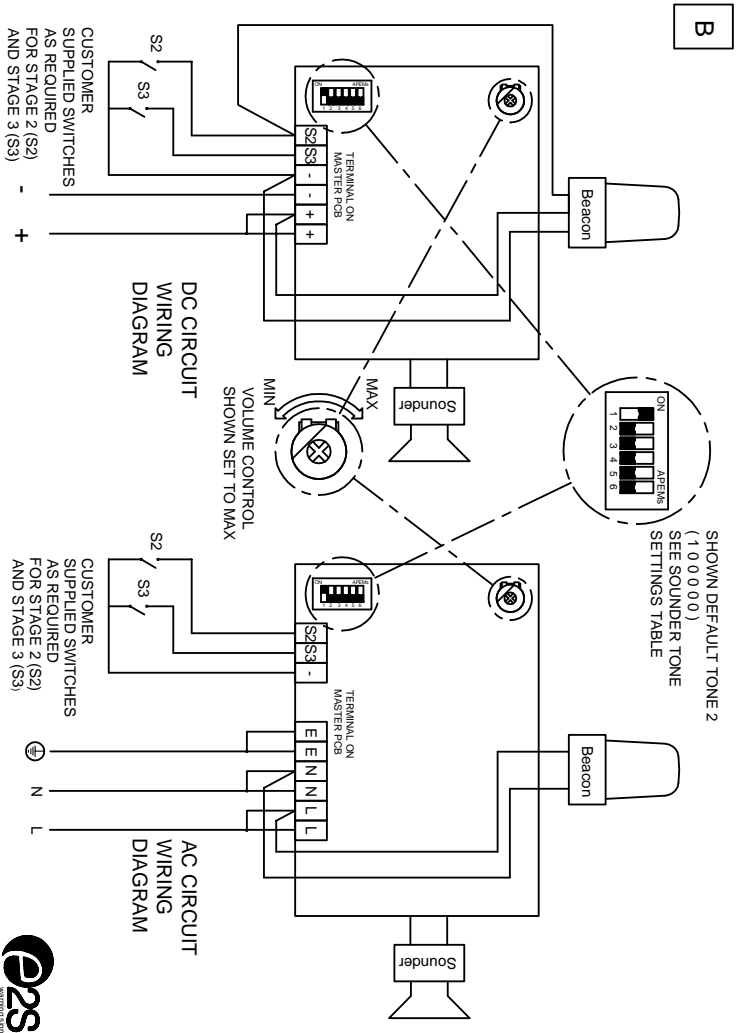
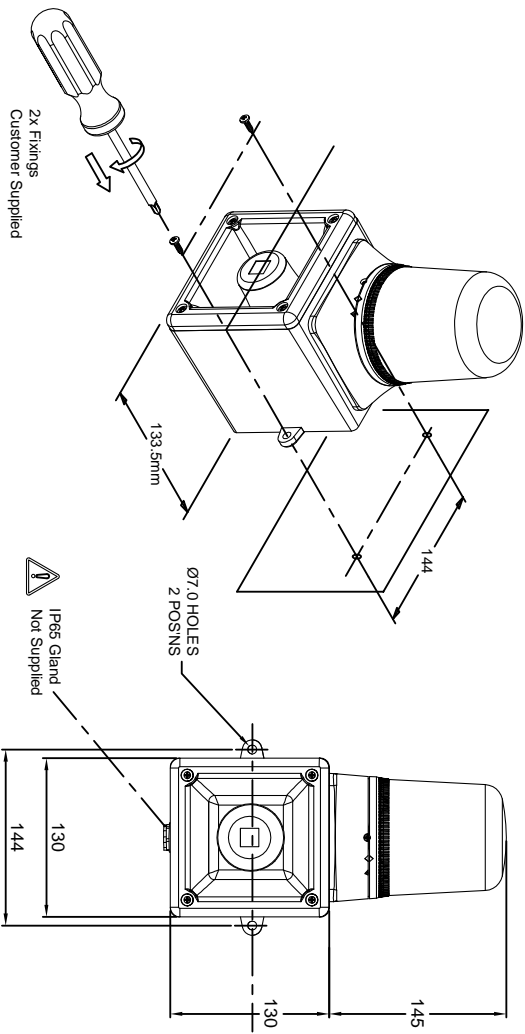
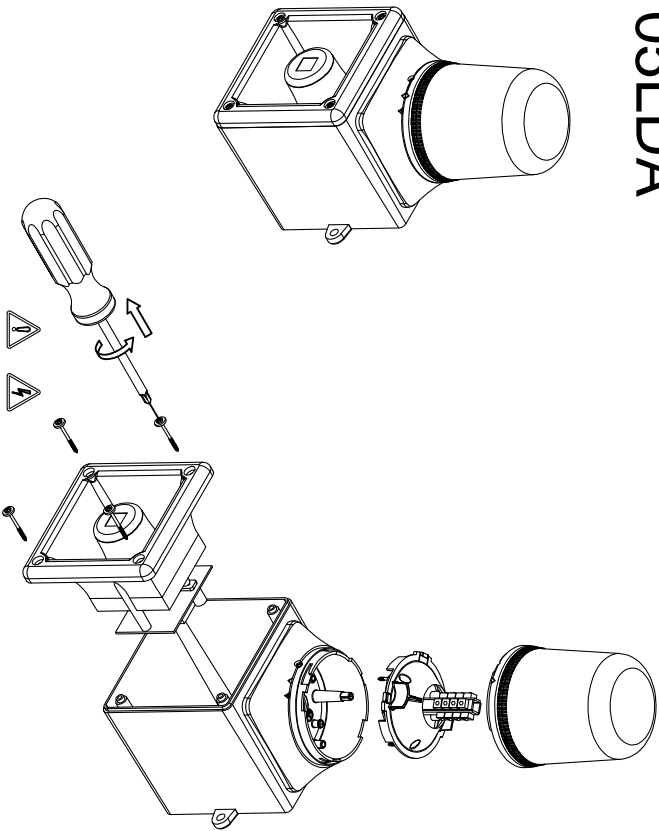
Example:- Default setting is 6



Stage 1	Frequency Description:	Stage 2 (DC unit only)
1	All L.E.D's on	Alternate Side Flash 2Hz
2	Rotating Slow 1	Alternate Side Flash 2Hz
3	Single Strike Flash 2Hz	Rotating Fast 2
4	Rotating Fast 1	Single Strike Flash 2Hz
5	Rotating Slow 2	Double Strike Flash 1Hz
6	Double Strike Flash 2Hz	Rotating Fast 2
7	Rotating Fast 2	Double Strike Flash 2Hz
8	Double Strike Flash 1Hz	Alternate Side Flash 2Hz
9	Alternate Side Flash 2Hz	Rotating Fast 2



A Spectra Alarm AB105LDA



Dimensions in mm

Tel : +44(0)20 8743 8980 Fax : +44(0)2 8740 4200
mail : sales@e2s.com Web : www.e2s.com

