

SPECTRA B450TDB

Traffic Light Static T win E14 Beacon
Twin E14 Filament bulbs
IP Rating: IP65
Temp: -25°C to +50°C
Unit weight: 395g
CE

Dimensions : Ø140 x 177mm
1.5mm² terminals
Cable entry: 1 x 5-7mm push through
grommet
2 x M20 cable entry (IP65)

Order code Voltage
B450TDB250B/x 12-250V DC/AC

x = Lens colour
R = Red A = Amber
B = Blue C = Clear
G = Green Y = Yellow

Multi-unit connection possible using
connector supplied
B450 and B350 units are interconnectable
B450TDB unit is supplied without a bulb.
Please order the correct voltage and
wattage.

Bulbs E14	Version
E2S Part No.	
BR261215E	24V 15W 1.25A
BR262415E	24V 15W 625mA
BR264815E	24V 15W 312mA
BR2613015E	115V 15W 130mA
BR2623515E	230V 15W 65mA

Tel : +44 (0)20 8743 8880 Fax : +44 (0)20 8740 4200
Email : sales@e2s.com Web : www.e2s.com



ATTENTION: Installation must be carried out by an electrician in compliance with the latest codes and regulations.



ATTENTION: Disconnect from power source before installation or service to prevent electric shock.

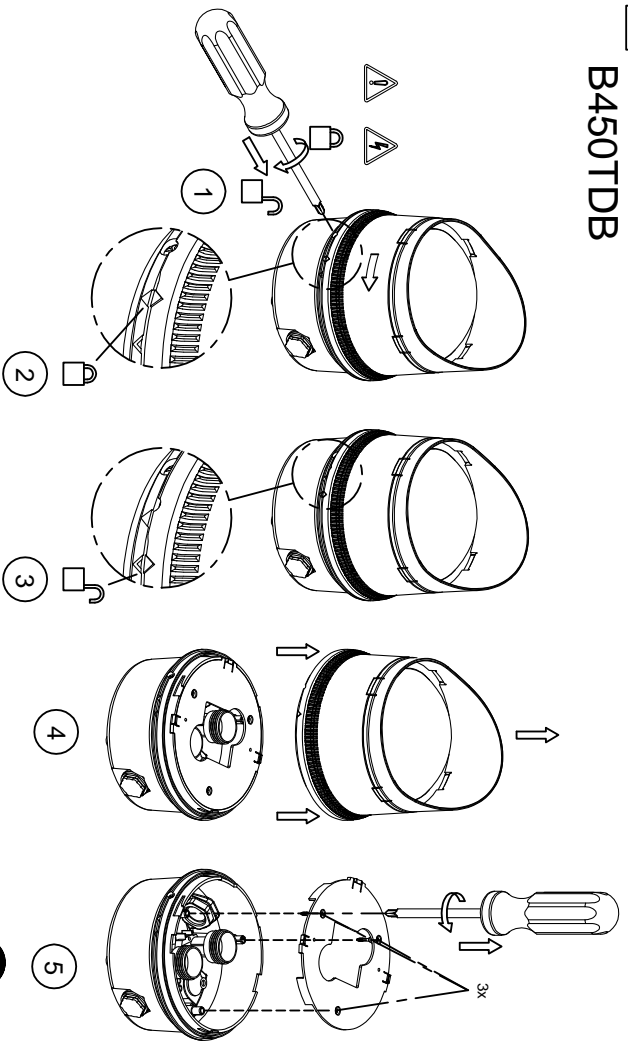


ATTENTION: Lens on unit will be hot allow to cool prior to removal.



A SPECIRA

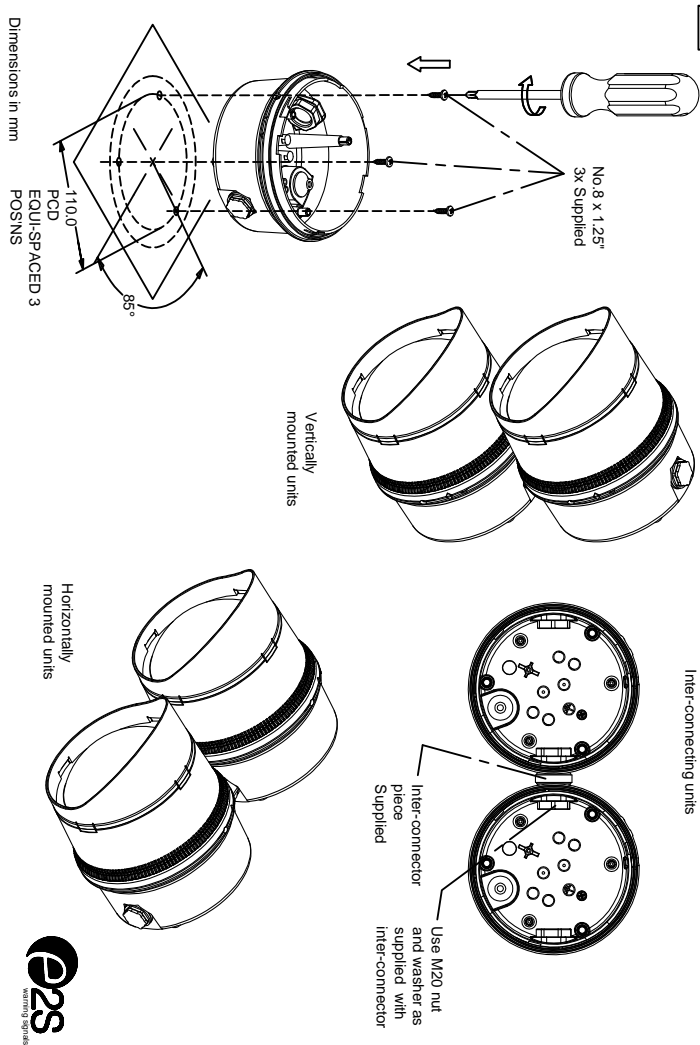
B450TDB



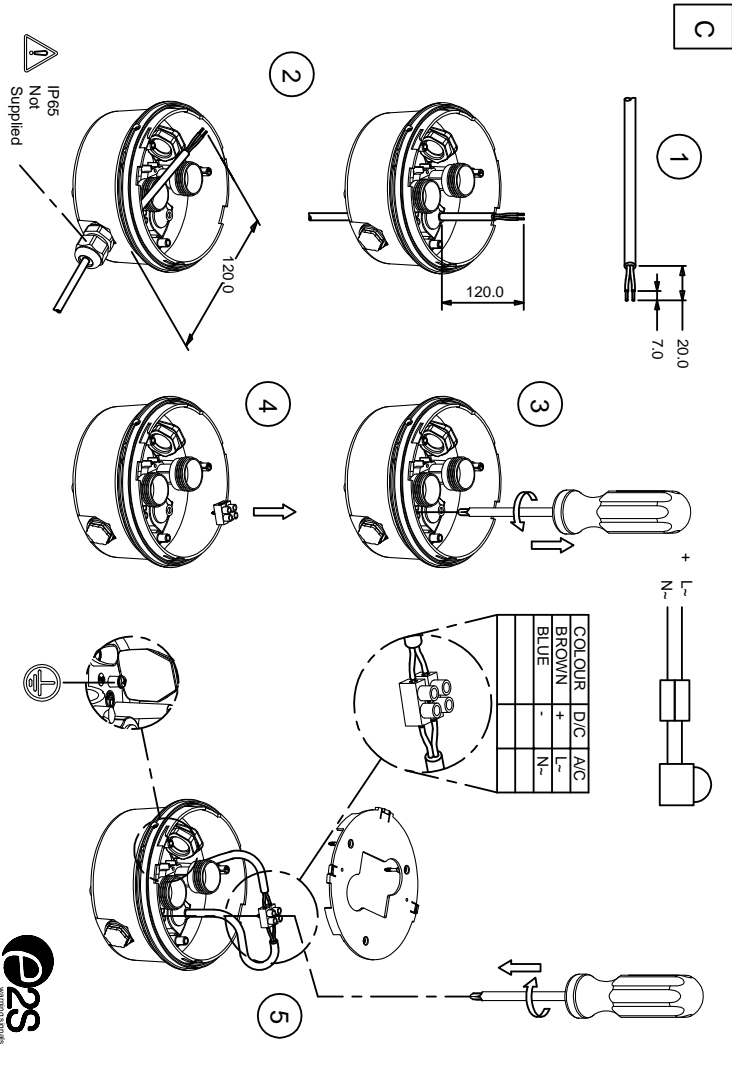
Tel : +44 (0)20 8743 8880 Fax : +44 (0)2 8740 4200
 Mail : sales@e2s.com Web : www.e2s.com



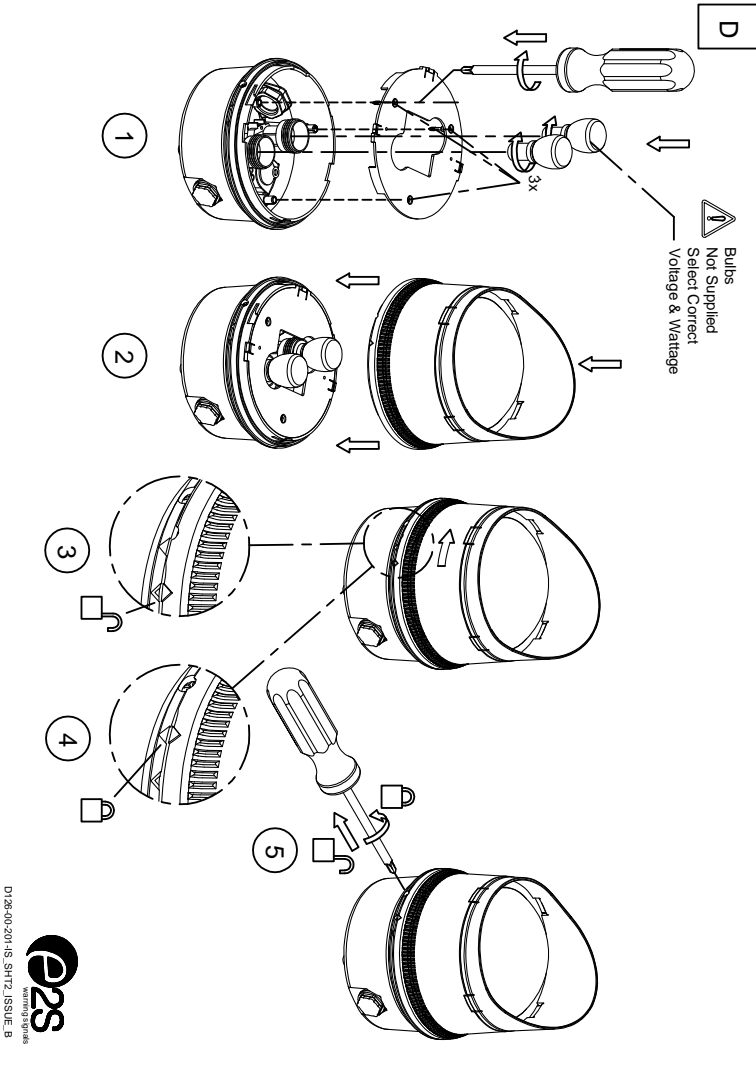
B



C



D



0128-00-201-15-SHTZ-ISSUE_B