

SPECTRA B450TSB

Traffic Light Static E27 Beacon
25W E27 Filament bulb
IP Rating: IP65
Temp: -25°C to +50°C
Unit weight: 380g
CE

Dimensions : Ø140 x 177mm
1.5mm² terminals
Cable entry: 1 x 5-7mm push through
grommet
2 x M20 cable entry (IP65)

Order code Voltage
B450TSB250B/x 12-250V DC/AC

X = Lens colour
R = Red A = Amber
B = Blue C = Clear
G = Green Y = Yellow


Multi-unit connection possible using
connector supplied
B450 and B350 units are interconnectable
B450TSB unit is supplied without a bulb.
Please order the correct voltage and
wattage.


Bulbs E27
BGS2525C27 24V 25W 1.04A
BGS11025C27 115V 25W 217mA
BGS24025C27 230V 25W 108mA

Tel : +44 (0)20 8743 8880 Fax : +44 (0)20 8740 4200
Email : sales@e2s.com Web : www.e2s.com



 **ATTENTION:** Installation must be carried out by an electrician in compliance with the latest codes and regulations.

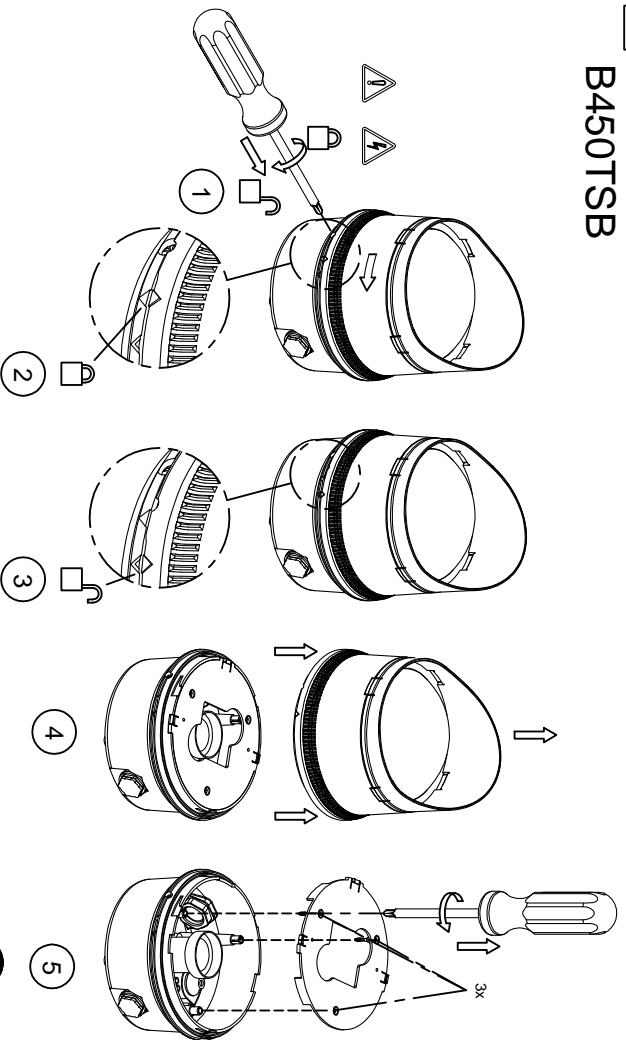
 **ATTENTION:** Disconnect from power source before installation or service to prevent electric shock.

 **ATTENTION:** Lens on unit will be hot allow to cool prior to removal.



A SPECIIRA

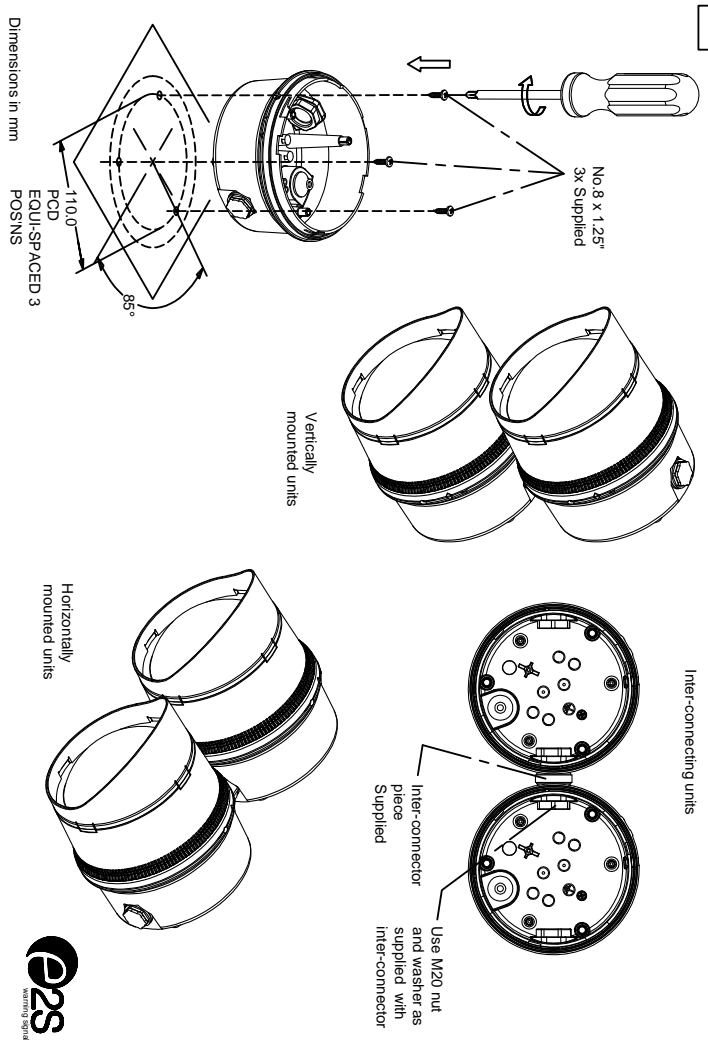
B450TSB



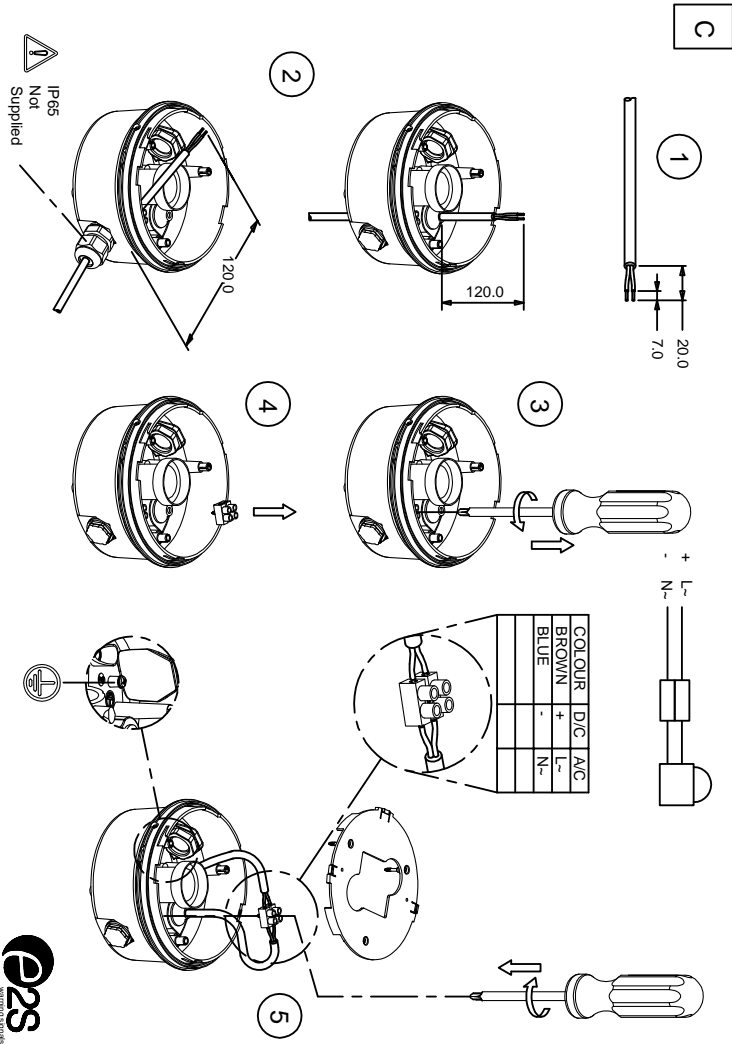
Tel: +44 (0)20 8743 8880 Fax: +44 (0)20 8740 4200
 Mail: sales@e2s.com Web: www.e2s.com



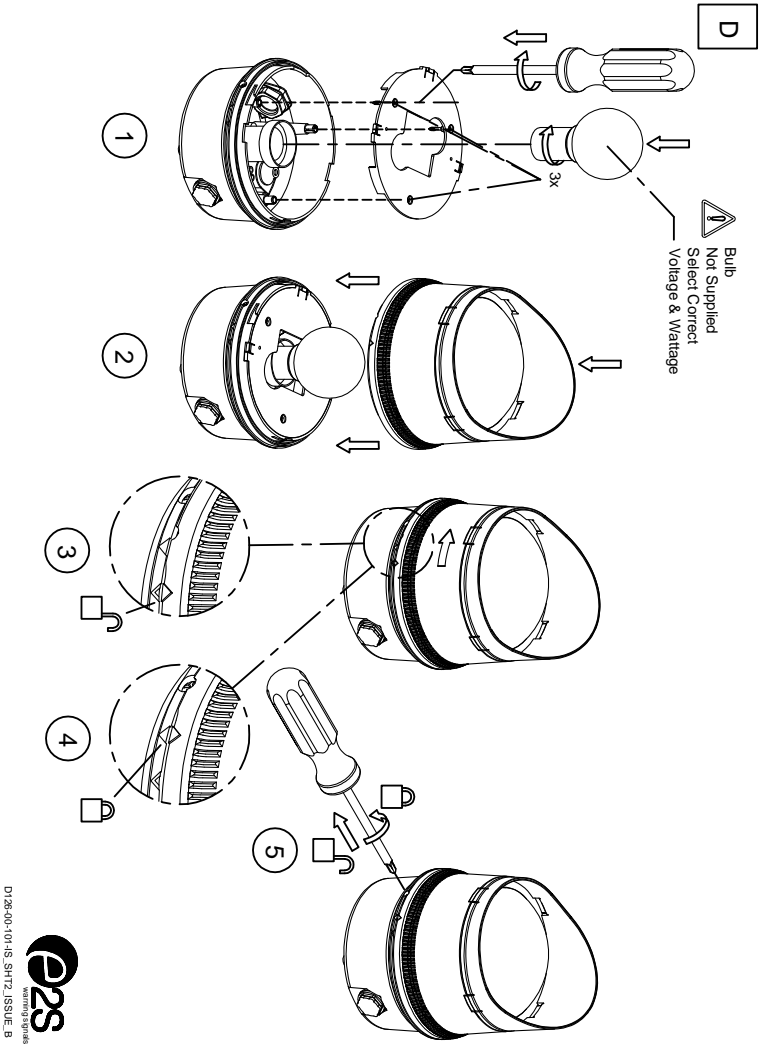
B



C



D



0128-00-10145-SHTZ-ISSUE_B