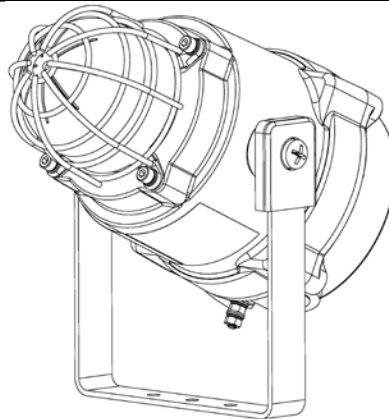


# INSTRUCTION MANUAL (ATEX / IECEx)

## BExBG21D-P

### Flameproof Xenon Beacons

*For use in Flammable Gas and Dust Atmospheres*



BExBG21D-P

### 1) Warnings



- DO NOT OPEN WHEN AN EXPLOSIVE ATMOSPHERE IS PRESENT
- DO NOT OPEN WHEN ENERGIZED
- POTENTIAL ELECTROSTATIC CHARGING HAZARD
- COVER BOLTS CLASS A4-80
- USE HEAT RESISTING CABLES AND CABLE GLANDS (RATED 110°C) AT AMB. TEMPERATURES OVER 40°C

### 2) Rating & Marking Information

All units have a rating label, which carries the following important information:-

**Model No.:** BExBG21D-P

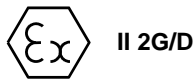
**Input Voltage:** DC Units 24V or 48V  
AC Units 115V or 230V

**BExBG21D-P Codes:**

- Ex d IIC T3 Gb Ta. -50°C to +70°C
- Ex tb IIIC T150°C Db Ta. -50°C to +40°C
- Ex tb IIIC T165°C Db Ta. -50°C to +55°C
- Ex tb IIIC T180°C Db Ta. -50°C to +70°C

**Certificate No.** KEMA 00ATEX2006X  
IECEx KEM 10.0002X

Epsilon x:  
Equipment Group and  
Category:



CE Marking  
Notified Body No.



The BExBG21D-P beacons have been certified for use in locations with the following conditions:

**Area Classification Gas:**

Zone 1	Explosive gas atmosphere likely to occur in normal operation.
Zone 2	Explosive gas atmosphere not likely to occur in normal operation but may be present for short periods.

**Gas Groupings:**

Group IIA	Propane
Group IIB	Ethylene
Group IIC	Hydrogen and Acetylene

**Temperature Classification:**

T1	400°C
T2	300°C
T3	200°C

**Area Classification Dust:**

Zone 21	Explosive dust atmosphere likely to occur in normal operation.
Zone 22	Explosive dust atmosphere not likely to occur in normal operation but may be present for short periods.

**Dust Groups:**

Group IIIA	Combustible Dust
Group IIIB	Non-Conductive Dust
Group IIIC	Conductive Dust

**Maximum Surface Temperature for Dust Applications:**

- 150°C at +40°C ambient
- 165°C at +55°C ambient
- 180°C at +70°C ambient

**IP Rating:** IP66/67 to EN/IEC60529 and IP6X to EN/IEC60079-0, EN/IEC60079-31

**Equipment Category:** 2G/D

**Equipment Protection Level:** Gb / Db

**Ambient Temperature Range:**

- 50°C to +70°C Gas Groups IIA, IIB and IIC
- 50°C to +70°C Dust Groups IIIA, IIIB and IIIC

### 3) Type Approval Standards

The beacons have an EC Type examination certificate and IECex Certificate of Conformity issued by Dekra and have been approved to the following standards:

EN60079-0:2012+A11:2013 / IEC60079-0:2011 (Ed6):  
Explosive Atmospheres - Equipment. General requirements

EN60079-1:2007 / IEC60079-1:2007 (Ed6):  
Explosive Atmospheres - Equipment protection by flameproof enclosures "d"

EN60079-31:2014 / IEC60079-31:2013 (Ed2):  
Explosive Atmospheres - Equipment dust ignition protection by enclosure "t"

### 4) Installation Requirements

The beacons must only be installed by suitably qualified personnel in accordance with the latest issues of the relevant standards:

EN60079-14 / IEC60079-14: Explosive atmospheres - Electrical installations design, selection and erection

EN60079-10-1 / IEC60079-10-1: Explosive atmospheres - Classification of areas. Explosive gas atmospheres

EN60079-10-2 / IEC60079-10-2: Explosive atmospheres - Classification of areas. Explosive dust atmospheres

The installation of the units must also be in accordance with any local codes that may apply and should only be carried out by a competent electrical engineer who has the necessary training.

### 5) Special Conditions of Use

Repair of the flamepath / flameproof joints is not permitted.

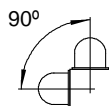
The enclosure is non-conducting and may generate an ignition-capable level of electrostatic charges under certain extreme conditions (such as high-pressure steam). The user should ensure that the equipment is not installed in a location where it may be subjected to external conditions that might cause a build-up of electrostatic charges on non-conducting surfaces.

Additionally, cleaning of the equipment should be done only with a damp cloth.

### 6) Beacon Location and Mounting

The location of the beacons should be made with due regard to the area over which the warning signal must be visible. They should only be fixed to services that can carry the weight of the unit.

**SAFETY WARNING:** The BExBG21D-P 21 joule beacons must be mounted with their flashdome in a position between upright and 90° as shown.



The beacons should be securely bolted to a suitable surface using the 7mm diameter boltholes in the stainless steel U shaped mounting bracket (see figure 1). The angle can then be adjusted as required but the mounting restrictions must be observed (see above). This can be achieved by loosening the two large bracket screws in the side of the unit, which allow adjustment in steps of 18°. On completion of the installation the two large bracket adjustment screws on the side of the unit must be fully tightened to ensure that the unit cannot move in service.

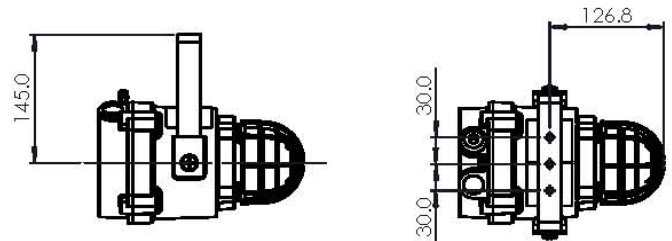


Fig 1. Fixing Location for Beacon

### 7) Access to the Flameproof Enclosure



Warning – High voltage may be present, risk of electric shock. DO NOT open when energised, disconnect power before opening.



Warning – Hot surfaces. External surfaces and internal components may be hot after operation, take care when handling the equipment.

To access the Ex d chamber, remove the four M6 hexagon socket head screws and withdraw the flameproof cover taking extreme care not to damage the flameproof joints in the process. M6 cover screws are Class A4-80 stainless steel and only screws of this category can be used for the enclosure.

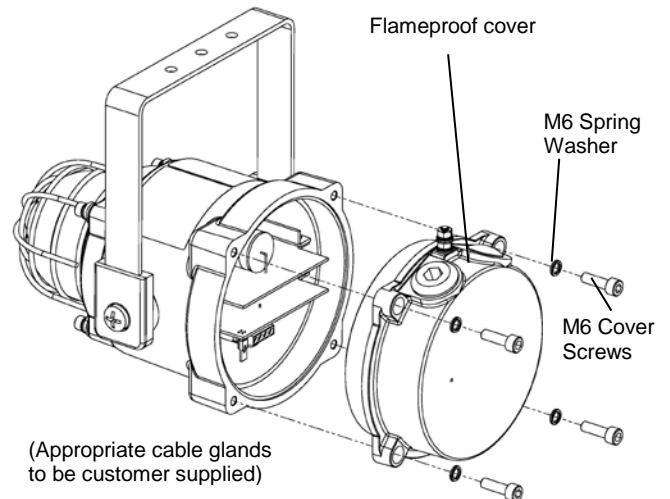


Fig. 2 Accessing the Explosion proof Enclosure.

On completion of the cable wiring installation the flameproof joints should be inspected to ensure that they are clean and that they have not been damaged during installation.

Check that the earth bonding wire between the two casting sections is secure and the 'O' ring seal is in place. When replacing the flameproof cover casting ensure that it is square with the flameproof chamber casting before inserting. Carefully push the cover in place allowing time for the air to be expelled. Only after the cover is fully in place should the

four M6 Stainless Steel A4-80 cover bolts and their spring washer be inserted and tightened down. If the cover jams while it is being inserted, carefully remove it and try again. Never use the cover bolts to force the cover into position.

## 8) Power Supply Selection

It is important that a suitable power supply is used to run the beacons. The power supply selected must have the necessary capacity to provide the input current to all of the beacons connected to the system.

The following table shows the input current taken by the various beacons and shows the maximum voltage at which the beacons can be operated:

Model No.	Nominal I/P Voltage	Input Current	Max. I/P Volts
BExBG21DPDC024	24Vdc	1.2A	28V
BExBG21DPDC248	48Vdc	600mA	54V
BExBG21DPAC115	115V ac	560mA	126V
BExBG21DPAC230	230Vac	280mA	253V

The input current will vary according to the voltage input level. The current levels shown above are for nominal input voltage.

## 9) Selection of Cable, Cable Glands and Blanking elements

When selecting the cable size, consideration must be given to the input current that each unit draws (see table above), the number of beacons on the line and the length of the cable runs. The cable size selected must have the necessary capacity to provide the input current to all of the beacons connected to the line.

For ambient temperatures over +40°C the cable entry temperature may exceed +70°C and therefore suitable heat resisting cables and cable glands must be used, with a rated service temperature of at least 110°C

The BExBG21D-P beacons have dual cable gland entries which have an M20 x1.5. The dual cable gland entries have an M20 x 1.5 entry thread. To maintain the ingress protection rating and mode of protection, the cable entries must be fitted with suitably rated ATEX / IECEx certified cable glands and/or suitably rated ATEX / IECEx certified blanking devices during installation according to EN / IEC60079-14.

If a high IP (Ingress Protection) rating is required then a suitable sealing washer must be fitted under the cable glands or blanking plugs.

For use in explosive dust atmospheres, a minimum ingress protection rating of IP6X must be maintained.

The BEx beacon range can be supplied with the following types of adapters:

M20 to ½" NPT  
M20 to ¾" NPT  
M20 to M25

It is important to note that stopping plugs cannot be fitted onto adapters, only directly onto the M20 entries.

Any other adapters used must be suitably rated and ATEX / IECEx certified adapters.

## 10) Earthing

Both AC and DC beacon units must be connected to an earth. The units are provided with internal and external earthing terminals which are both located on the terminal chamber section of the unit.

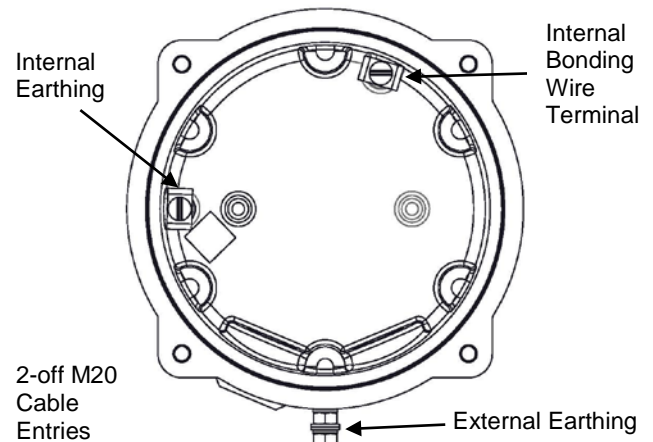


Fig 3. Internal View of Cover

When using the internal earth terminal ensure that the stainless steel M4 flat washer is between the incoming earth wire and the enclosure.

Internal earthing connections should be made to the Internal Earth terminal in the base of the housing using a ring crimp terminal to secure the earth conductor under the earth clamp. The earth conductor should be at least equal in size and rating to the incoming power conductors.

External earthing connections should be made to the M5 earth stud, using a ring crimp terminal to secure the earth conductor to the earth stud. The external earth conductor should be at least 4mm<sup>2</sup> in size.

## 11) Cable Connections

Electrical connections are to be made into the terminal blocks on the PCBA located in the flameproof enclosure. See section 7 of this manual for access to the flameproof enclosure.

Wires having a cross sectional area between 0.5 mm<sup>2</sup> to 2.5mm<sup>2</sup> can be connected to each terminal way. If an input and output wire is required the 2-off Live/Neutral or +/- terminals can be used. If fitting 2-off wires to one terminal way the sum of the 2-off wires must be a maximum cross sectional area of 2.5mm<sup>2</sup>. Strip wires to 8mm. Wires may also be fitted using ferrules. Terminal screws need to be tightened down with a tightening torque of 0.45 Nm / 5 Lb-in. When connecting wires to the terminals great care should be taken to dress the wires so that when the cover is inserted into the chamber the wires do not exert excess pressure on the terminal blocks. This is particularly important when using cables with large cross sectional areas such as 2.5mm<sup>2</sup>.

## 12) AC Wiring

A 4-way terminal block is provided on the AC beacon. There are 2-off Live and 2-off Neutral terminals in total.

### 12.1.1 Wiring Diagram

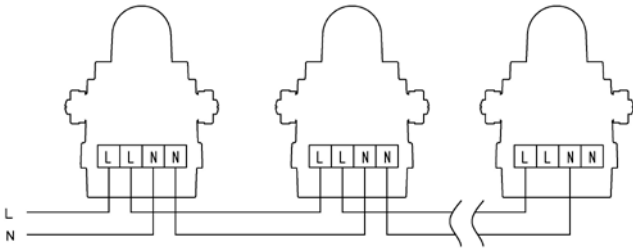


Fig. 4 AC Simplified Block Diagram

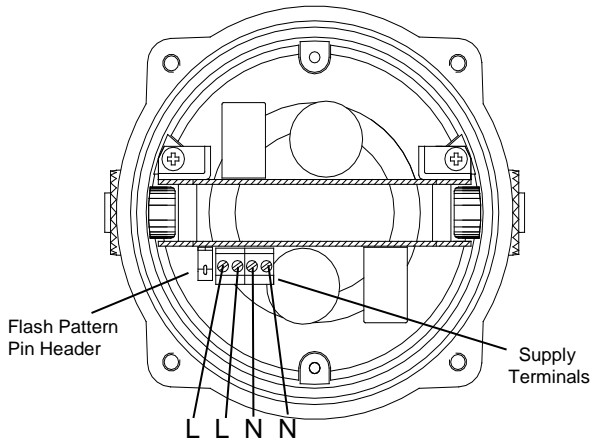


Fig. 5 AC Terminals

## 13) DC Wiring

A 4-way terminal block is provided on the AC beacon. There are 2-off +ve and 2-off -ve terminals in total.

### 13.1.1 Wiring Diagram

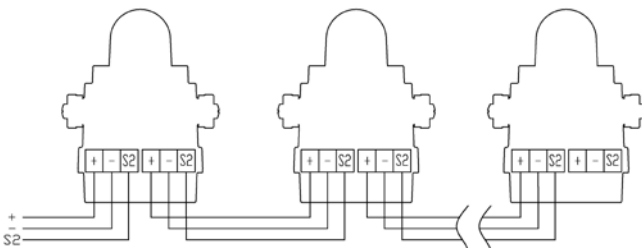


Fig. 6 DC Simplified Block Diagram

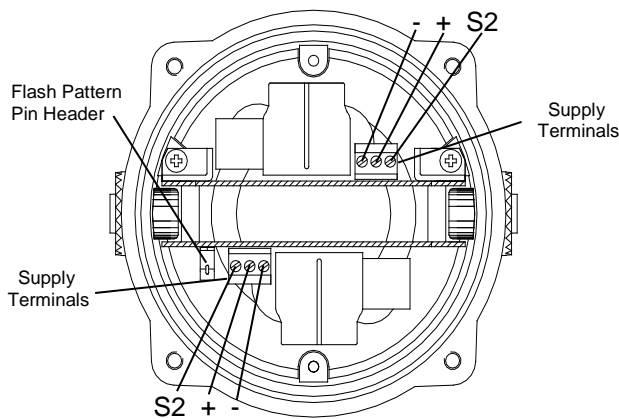
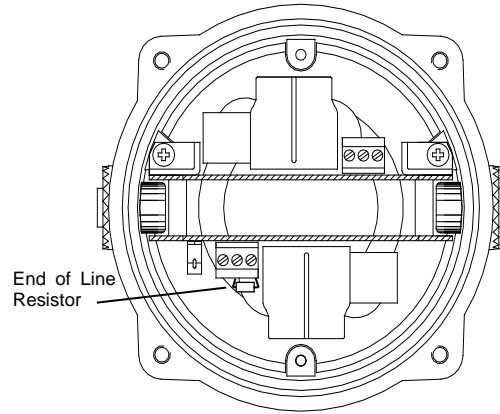


Fig. 7 DC Terminals

## 13.1.2 Line Monitoring

On the BExBG21D-P DC beacon, dc reverse line monitoring can be used if required. All DC beacons have a blocking diode fitted in their supply input lines. An end of line monitoring diode or an end of line monitoring resistor can be connected across the +ve and -ve terminals. It can be fitted on either terminal. If an end of line resistor is used it must have a minimum resistance value of 3k3 ohms and a minimum wattage of 0.5 watts or a minimum resistance value of 500 ohms and a minimum wattage of 2 watts.



## 14) Settings

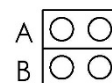
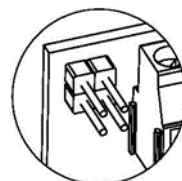
### 14.1 Synchronised Operation

All BExBG21D-P beacons that are connected to the same supply line will have a synchronised flash patterns provided that they are set to the same flash pattern.

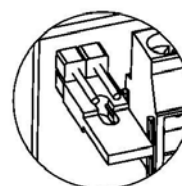
### 14.2 Flip-Flop Operation

The BExBG21D-P beacons have two xenon tubes and can produce three different flash patterns as listed below. The flash patterns are set internally by the selection of pin headers. On the DC beacons the flash pattern set can be changed externally to produce a second stage by connecting terminal S2 to -ve supply line. The AC beacons do not have a second stage.

DC Beacons	Stage 2
Single Flash @ 1Hz (Both tubes flashing together)	AF
Alternate Flash @ 2Hz (Tubes flashing alternately)	SF
Double Strike @ 1Hz (One Tube flashing immediately after the other)	SF



Single Flash



Alternate Flash

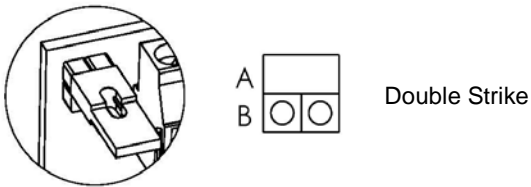


Fig. 8 Header Pin Positions

**AC Beacons**

- Single Flash @ 1Hz (Both tubes flashing together)
- Alternate Flash @ 2Hz (Tubes flashing alternately)
- Double Strike @ 1Hz (One Tube flashing immediately after the other)

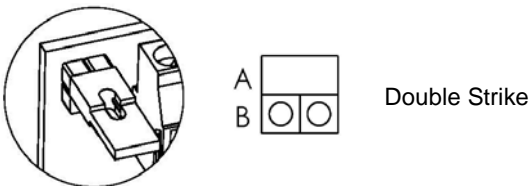
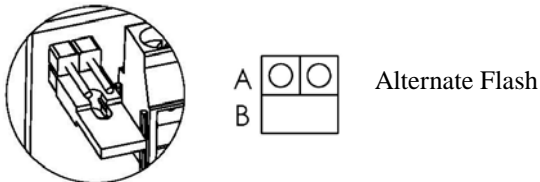
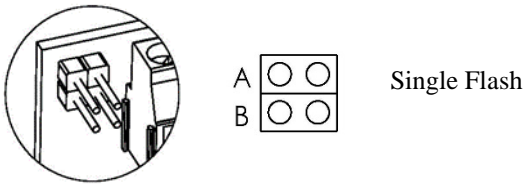


Fig. 9 Header Pin Positions

**15) Interchangeable & Spare Parts**



Warning – Hot surfaces. External surfaces and internal components may be hot after operation, take care when handling the equipment.

The beacon cover is interchangeable, contact E2S Ltd for a replacement cover available in various colours.

To change the cover, unscrew the M5 socket head screws and remove the M5 screws, M5 spring & flat washers.

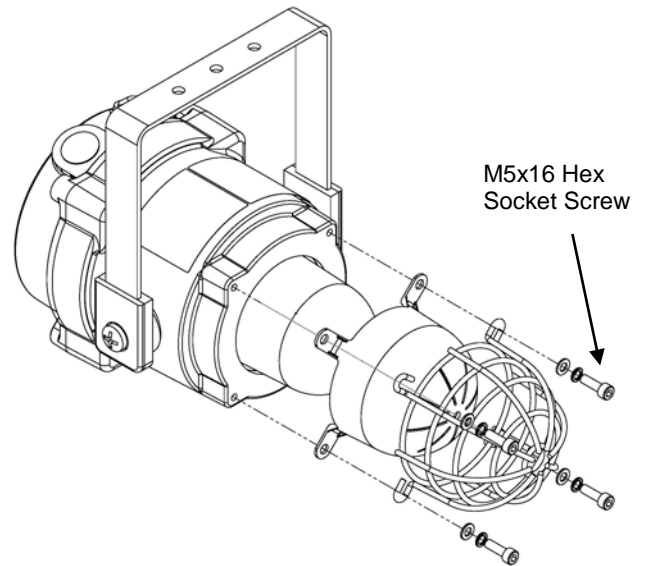


Fig. 11 Removal of cover

Remove the guard and replace the old cover with the new cover.

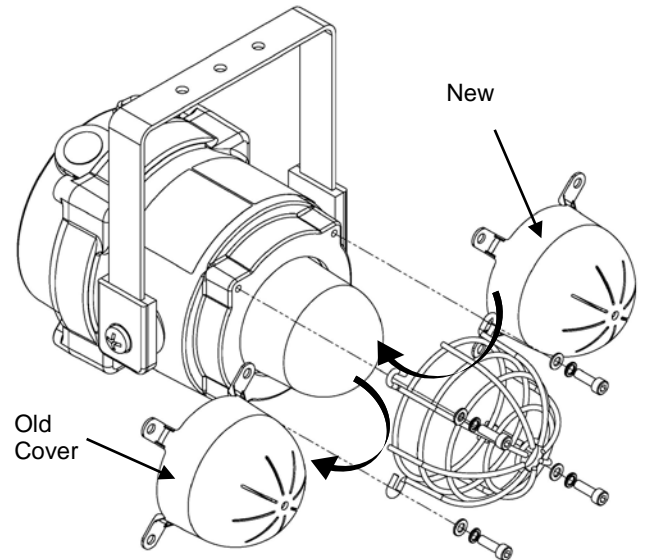


Fig. 12 Changing of cover

Fit the guard back on to the cover and casting, align the holes of the guard, cover and casting. To reattach the cover, the fixings **MUST** be in the order shown in figure 12.

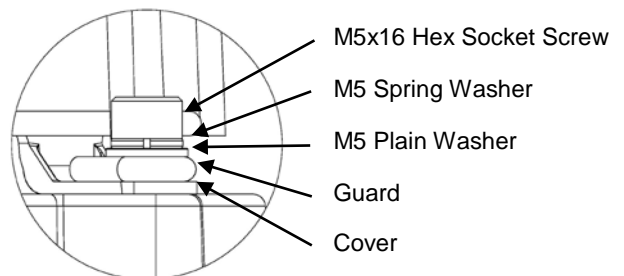


Fig. 13 Cover and Guard Fixtures

## 16) Maintenance, Overhaul and Repair

Maintenance, repair and overhaul of the equipment should only be carried out by suitably qualified personnel in accordance with the current relevant standards:

EN60079-19 Explosive atmospheres - Equipment repair, overhaul and reclamation  
IEC60079-19

EN 60079-17 Explosive atmospheres - Electrical installations inspection and maintenance  
IEC60079-17

The acoustic horn section is made of ABS Plastic, therefore to avoid a possible ELECTROSTATIC CHARGE the unit must only be cleaned with a damp cloth.

Units must not be opened while an explosive atmosphere is present.

If opening the unit during maintenance operations a clean environment must be maintained and any dust layer removed prior to opening the unit.

Flameproof threaded joints and cemented joints are not intended to be repaired.