

BExCBG05-05 Explosion Proof Dual Xenon Beacon 5 Joule

The flameproof BExCBG05-05 dual Xenon beacons are suitable for Zone 1, 2, 21 & 22 applications. Approved to IECEx, ATEX and Ex EAC standards.

The BExCBG05-05D dual 5 Joule beacons robust construction enables installation in the harshest of environments. The beacons may be connected from a single supply for simultaneous operation or from separate supplies for independent operation. Additional features include automatic synchronisation on multi-beacon systems and stainless steel guard and mounting bracket as standard.

The BEx range features enclosures manufactured from corrosion proof, marine grade copper free LM6 aluminium with a chromate and powder coat finish. All models have two M20 cable entries, large termination areas containing in & out terminals and an ingress protection of IP66/67.

Features

- Marine grade, corrosion proof, LM6 aluminium enclosure
- Automatic synchronisation on multi-beacon system.
- Beacons can be set to 'flip-flop' alternating mode with other units on multi-beacon systems.
- Xenon tubes mechanically secured against shock & vibration
- Glass lens & Stainless Steel guard
- Very large termination area.
- Dual M20 cable entries – adaptors available.
- Stopping plug included.
- Ratchet adjustable stainless steel 'U' bracket.
- Reverse polarity diode fitted.
- IP66/67 ingress protection.
- 120+120 candela effective light intensity.
- UV stable PC, field replaceable, colour lens filters.

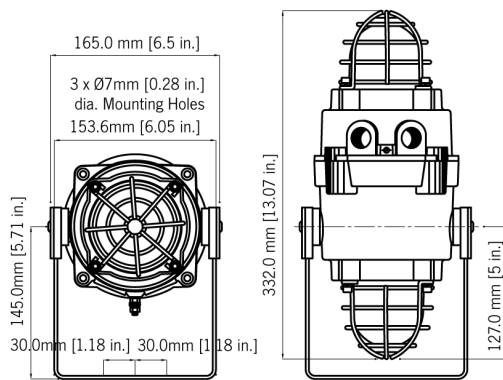
Approvals

- IECEx KEM 10.0024X
IEC 60079-0 : 2011
IEC 60079-1 : 2007-4
IEC 60079-31 : 2013
- ATEX KEMA 00ATEX2222X
EN 60079-0 : 2012 + A11
EN 60079-1 : 2007
EN 60079-31 : 2014
- TR-CU Ex EAC certificate: RU C-GB.AA71.B.00109
- INMETRO certificate: IEx 19.0092X

Coding

- II 2G Ex d IIB T4 Gb Ta. -50°C to +70°C
- II 2D Ex tb IIIC T115°C Db Ta. -50°C to +55°C
- II 2D Ex tb IIIC T130°C Db Ta. -50°C to +70°C





Specification

Energy:	5 Joules x 2 (5Ws)
Flash rate:	1Hz (60 fpm)
Peak Candela:	500,000 cd x2 – calculated from energy (J)
Eff. Intensity cd:	250 cd x2 – calculated from energy (J)
Peak Candela:	39,463 cd* x2 – measured ref. to I.E.S.
Eff. Intensity cd:	120 cd* x2 – measured ref. to I.E.S.
Lens colours:	Amber, Blue, Clear, Green, Magenta, Red & Yellow
Voltages DC:	12vdc; 24vdc; 48vdc
Voltages AC:	115vac; 230vac
Ingress protection:	IP66/67
Enclosure matl:	Marine grade copper free LM6 Aluminium
Enclosure finish:	Chromate & powder coated finish – anti-corrosion.
Colour:	RAL3000 Red (others available on request)
Cable entries:	Dual M20 ISO (one stopping plug inc)
Terminals:	0.5 – 2.5mm ² (20-14 AWG)
Enclosure volume:	<2 litres
Line monitoring:	Blocking diode included EOL Min. 500 Ohm 2w, or 3k3 Ohm 0.5w resistor or diode (DC versions) can be fitted
Grounding stud:	M5
Temperature range:	-50° to +70°C (-58°F to +158°F)
Relative humidity:	95% – Additional tropicalisation is recommended for applications where both high relative humidity and high ambient temperatures exist
Tube life:	Emissions are reduced to 70% after 8 million flashes
Weight:	DC: 4.00kg/8.8lbs AC: 4.35kg/9.57lbs

*All candela data is representative of performance with clear lens at optimum voltage.

Part Codes

Version:	Part code:		
Product type:	BEExCBG0505 Explosion proof Dual 5J Xenon Beacon		
Type:	DP	Ex d, UV stable PC Colour Lenses	
Voltage:	DC024	24V dc	
	AC115	115V ac	
	AC230	240V ac	
Cable Entry Type: [e]	A	2 x M20x1.5mm	
	B	2 x 1/2" NPT – adaptors	
	C	2 x 3/4" NPT – adaptors	
	D	2 x M25x1.5mm – adaptors	
	E	1 x 1/2" NPT – adaptor	
	F	1 x 3/4" NPT – adaptor	
	G	1 x M25x1.5mm – adaptor	
Adaptor/Stopping plug material: [m]	B	Brass	
	N	Nickel Plated	
	S	Stainless Steel	
Bracket/guard matl & tag: [s]	1	A2 304 Stainless Steel	
	2	A4 316 Stainless Steel	
	3	A2 304 St/St with Equip. Tag	
	4	A4 316 St/St with Equip. Tag	
Product version: [v]A1	Default – IECEx, ATEX		
Enclosure colour: [x]	R	Red RAL3000	
	S	Special – contact E2S	
1st Xenon lens colour: [y]	A	Amber	A Amber
	B	Blue	B Blue
	C	Clear	C Clear
2nd Xenon lens colour: [y]	G	Green	G Green
	M	Magenta	MMagenta
	R	Red	R Red
	Y	Yellow	Y Yellow

Current Consumption

Version:	Voltage:	Current (per beacon):
12V dc	10-14V dc	750mA
24V dc	20-28V dc	300mA
48V dc	42-54V dc	180mA
115V ac	50Hz/60Hz +/-10%	140mA
230V ac	50Hz/60Hz +/-10%	55mA