

# D2xB1LD2 Haz Loc LED Beacon Warning Light

The hazardous location UL1638 D2xB1LD2 LED beacon and status light is UL/cULs approved for Class I Div 2, Class II Div 2, Class I Zone 2/22 as well as IECEx and ATEX certified for Zone 2 and 22 applications.

The D2xB1LD2 utilises an array of high power Cree® LED's, orientated to optimise visibility in any direction. The beacon can be configured as a steady light for status indicator use, with a light output of up to 87 candela. Alternatively one of the five flashing modes, with a effective output of up to 180 candela, may be used for warning applications. DC voltage versions feature three remotely selectable stages enabling multiple warnings to be signalled from one device. The UV stable colour filter enhances the light output and is field replaceable. The 24Vdc version is UL and cUL approved to UL1638 for private mode fire alarm use.

## Features

- Private mode fire use & General signaling UL1638
- Synchronized 1Hz, 1.3Hz and 2Hz flash rates
- 73.4 eff. candela – UL1638 Private mode fire
- 180 eff. candela – UL1638 general signaling
- Ultra low operating current of 99.5mA
- In rush limiting circuit <2A
- Five flash rates: 60, 80, 120fpm, double and triple flash.
- Two steady mode intensities for status indication
- Marine grade aluminium enclosure
- Ingress protection Type 4/4X/3R/13, IP66
- High impact resitant Borisilicate glass lens
- Stainless steel lens guard as standard
- Field changeable lens colour filter
- Large termination area
- Duplicate, pluggable cable terminations
- Conduit mounting via integral 3/4" NPT entry
- Surface mounting via user installed lugs
- Dual 1/2"NPT and dual M20 conduit/gland entries
- Supplied with haz loc rated stopping plugs
- Compact footprint



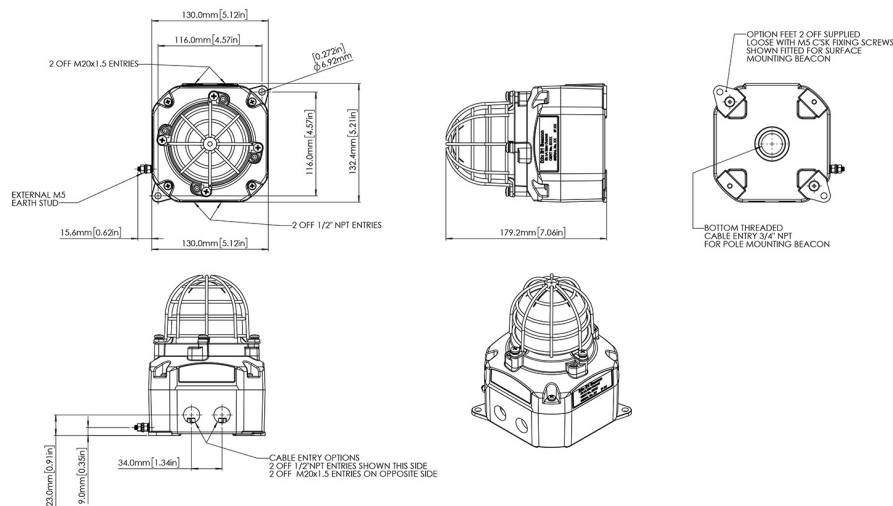
## Approvals

- UL/cUL File ref: E245313
- IECEx certificate: IECEx ULD 14.0004X
- ATEX certificate: DEMKO 14 ATEX 4786493904X
- CSFM listing: 7300-2279:0500

## Coding

- NEC / CEC:
  - Class I Div 2 ABCD T4 Ta -40°C to +50°C
  - Class I Div 2 ABCD T4A Ta -40°C to +40°C
  - Class II Div 2 EFG T6 Ta -40°C to +50°C
  - Class III Div 1&2 Ta -40°C to +50°C
- NEC:
  - Class I Zone 2 AEx nA IIC T4 Gc (Ta -40°C to +50°C)
  - Zone 22 AEx tc IIIC 75°C Dc (Ta -40°C to +50°C)





## Specification

Source:	Array of 4 x High Power Cree® LED's
Eff. Intensity cd:	73.4 cd UL1638 Private mode fire
Eff. Intensity cd:	180 cd UL1638 General signaling
Peak Intensity cd:	300,000 cd
Eff. Intensity cd:	87 cd High power steady
Lens colours:	Amber, Blue, Clear, Green, Magenta, Red & Yellow
LED life:	>60,000 hours
Synchronization:	Synchronized 1Hz, 1.3Hz and 2Hz flash rates
Voltages DC:	24V dc (18-54V dc)
In-rush:	1.88A for 2ms @ 24V dc
Voltages AC:	115V ac; 230V ac
Ingress protection:	IP rating per EN60529:IP66 Type rating per UL50E/NEMA250:4/4X/3R/13
Enclosure material:	Marine grade LM6 aluminum alloy
Enclosure colour:	Red (RAL3000), Grey (RAL7038)
Lens material:	Borosilicate glass dome with PC prismatic lens cover
Guard:	Stainless Steel dome guard as standard
Cable entries:	2 x M20x1.5, 2 x 1/2"NPT, 1 x 3/4"NPT
Stopping plugs:	Nickel Plated Brass plugs included Optional Brass or Stainless Steel
Ground/Earth stud:	M5
Terminals:	0.5 - 2.5mm <sup>2</sup> (20-14 AWG)
Line monitoring:	Blocking diode included EOL can be factory fitted
Operating temp:	-40 to +50°C [-40° to +122°F]
Storage temp:	-40 to +70°C [-40° to +158°F]
Relative humidity:	95%
Weight:	DC: 1.5kg/3.31lbs AC: 1.75kg/3.86lbs
* All candela data is representative of performance with clear lens at optimum voltage.	

## Part Codes

<b>Part Code:</b>	<b>Ident.:</b>	<b>Description:</b>
Product type:	D2xB1LD2	LED Beacon
Voltage:	AC115 AC230 DC024	115-120Vac 50/60Hz 220-230Vac 50/60Hz 24V dc (18-54Vdc)
Cable entries: [e]	M	2 x 1/2" NPT, 2 x M20x1.5, 1 x 3/4" NPT
Stopping plug material: [m]	B N S	Brass Nickel plated brass Stainless Steel
Lens guard matl. & tag: [s]	1 2 3 4	A2 304 Stainless Steel A4 316 Stainless Steel A2 304 St/St with Equip. Tag A4 316 St/St with Equip. Tag
Version: [v]	A1	UL, cUL, IECEx & ATEX
Enclosure: [x]	G R	Grey RAL7038 Red RAL3000
Lens colour: [y]	A, B, C G, M, R, Y	Amber, Blue, Clear Green, Magenta, Red, Yellow
Accessories:	SP65-0001-A2 SP65-0001-A4 SP65-0002-A2 SP65-0002-A4	Pole Mount Bracket Kit 2" St/St A2 (304) Pole Mount Bracket Kit 2" St/St A4 (316) Sunshade - St/St A2 (304) Sunshade - St/St A4 (316)

## Current Consumption

Nominal Voltage:	In rush:	Voltage range:	Nominal operating current: @ 1Hz
24V dc	1.88A	18-54V dc	99.5mA
115V ac		115-120Vac 50/60Hz	68mA
230V ac		220-230Vac 50/60Hz	70mA

## Multi-function patterns

Stage 1: [On board]	Stage 2: DC only [Remote]	Stage 3: DC only [Remote]
Steady High Power	Flashing 1Hz	Triple Strike
Steady Low Power	Flashing 1Hz	Triple Strike
Flashing 1Hz	2x Flash 2Hz	Triple Strike
Flashing 1.3Hz	Flashing 2Hz	Double Strike
Flashing 2Hz	Triple Strike	Triple Strike
Double Strike	Steady High Power	Triple Strike
Triple Strike	Flashing 2Hz	Double Strike