

D2xB1X05 Haz Loc Xenon Strobe 5J Warning Light

The D2xB1X05 features a high output 94.78cd, 5 Joule Xenon strobe beacon. Globally approved, the robust Type 4/4X, IP66 enclosure ensures suitability for all haz loc fire alarm and general signalling applications.

The corrosion proof, marine grade aluminium die cast enclosure is phosphated and powder coated providing resilience in the harshest of hazardous location environments. One device, globally certified: ATEX, IECEx Zone 2 & 22; NEC/CEC CI D2 and CII D2; NEC CI Zone 2 and Zone 22; CEC Zone 2 & 22 and CII D2. UL & cUL approved 24Vdc version is UL1638 compliant for private mode fire alarm use.

Features

- Private mode fire use & General signaling UL1638
- 22.2 eff. candela - UL1638 Private mode fire
- 94.78 eff. candela - UL1638 general signaling
- Xenon tube mechanically secured against vibration & shock
- User replaceable Xenon tube assembly
- Duplicate cable terminations (in & out for daisy-chain installations)
- Large termination area
- Marine grade aluminium enclosure
- Ingress protection Type 4/4X/3R/13, IP66
- High impact resistant Borosilicate glass lens
- Stainless steel lens guard as standard
- Field replaceable lens colour filter
- Stainless steel external and internal fixings
- Duplicate, pluggable cable terminations
- Conduit mounting via integral 3/4" NPT entry
- Surface mounting via user installed lugs
- Dual 1/2"NPT and dual M20 entries
- Supplied with haz loc rated stopping plugs
- Compact footprint



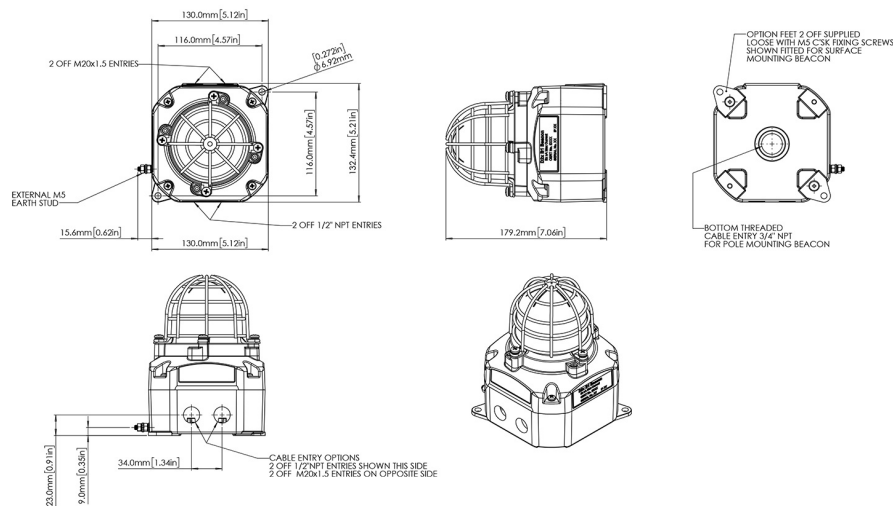
Approvals

- UL/cUL File ref: E245313
- IECEx certificate: IECEx ULD 14.0004X
- ATEX certificate: DEMKO 14 ATEX 4786493904X
- CSFM listing: 7300-2279:0500

Coding

- NEC / CEC:
 - Class I Div 2 ABCD T3 Ta -40°C to +50°C
 - Class II Div 2 EFG T5 Ta -40°C to +50°C
 - Class II Div 2 EFG T6 Ta -40°C to +40°C
 - Class III Div 1&2 Ta -40°C to +50°C
- NEC:
 - Class I Zone 2 AEx nA IIC T3 Gc (Ta -40°C to +50°C)
 - Zone 22 AEx tc IIIC 95°C Dc (Ta -40°C to +50°C)
- CEC:
 - Class I Zone 2 EFG T3 Gc Yc (Ta -40°C to +50°C)





Specification

Energy:	5 Joules (5Ws)
Flash rate:	1Hz (60 fpm)
Peak Candela:	500,000 cd – calculated from energy (J)
Effective Intensity cd:	250 cd – calculated from energy (J)
Peak Candela:	33,410 cd* – measured ref. to I.E.S.
Effective Intensity cd:	94.78 cd* – measured ref. to I.E.S.
Lens colours:	Amber, Blue, Clear, Green, Magenta, Red & Yellow
Voltages DC:	24Vdc; 48Vdc
Voltages AC:	115Vac; 230Vac
Ingress protection:	IP rating per EN60529:IP66 Type rating per UL50E/NEMA250:4/4X/3R/13
Enclosure material:	Marine grade LM6 aluminum alloy
Colour:	Red (RAL3000), Grey (RAL7038)
Lens material:	Borosilicate glass dome with PC prismatic lens cover
Guard:	Stainless Steel dome guard as standard
Cable entries:	2 x M20x1.5, 2 x 1/2"NPT, 1 x 3/4"NPT
Stopping plugs:	Nickel Plated Brass plugs included
Ground/Earth stud:	M5
Terminals:	0.5 – 2.5mm ² (20-14 AWG)
Line monitoring:	Blocking diode included EOL can be factory fitted
Operating temp:	-40 to +50°C [-40° to +122°F]
Storage temp:	-40 to +70°C [-40° to +158°F]
Relative humidity:	95%
Weight:	DC: 1.5kg/3.31lbs AC: 1.75kg/3.86lbs

* All candela data is representative of performance with clear lens at optimum voltage.

Part Codes

Part Code:	Ident.:	Description:
Product type:	D2xB1X05	5 Joule Xenon Strobe Beacon
Voltage:	AC115 AC230 DC024 DC048	115-120V ac 50/60Hz 220-230V ac 50/60Hz 24V dc (20-28Vdc) 48V dc (42-54V dc)
Cable entries: [e]	M	2 x 1/2" NPT, 2 x M20x1.5, 1 x 3/4"NPT
Stopping plug material: [m]	B N S	Brass Nickel Plated Stainless Steel
Lens guard matl. & tag: [s]	&1 2 3 4	A2 304 Stainless Steel A4 316 Stainless Steel A2 304 St/St with Equip. Tag A4 316 St/St with Equip. Tag
Version: [v]	A1	UL, cUL, IECEx & ATEX
Enclosure: [x]	G R	Grey RAL7038 Red RAL3000
Lens colour: [y]	A B C G M R Y	Amber Blue Clear Green Magenta Red Yellow
Accessories:	SP65-0001-A2 SP65-0001-A4 SP65-0002-A2 SP65-0002-A4	Pole Mount Bracket Kit 2" St/St A2 (304) Pole Mount Bracket Kit 2" St/St A4 (316) Sunshade – St/St A2 (304) Sunshade – St/St A4 (316)

Current Consumption

Nominal Voltage:	Voltage range:	Nominal operating current:
24V dc	24V dc	275mA
48V dc	48V dc	145mA
115V ac	115-120Vac 50/60Hz	80mA
230V ac	220-230Vac 50/60Hz	30mA