

DL105H Alarm Sounder & L.E.D. Beacon

The DL105H is a high output, 112dB(A) alarm sounder with integrated L.E.D. beacon.

Low current consumption and high SPL in a robust IP66 enclosure ensure the DL105H is suitable for all general signalling applications including fire, security and process control. The corrosion proof, marine grade aluminium die cast enclosure is chromated and powder coated providing resilience in the harshest of industrial environments.

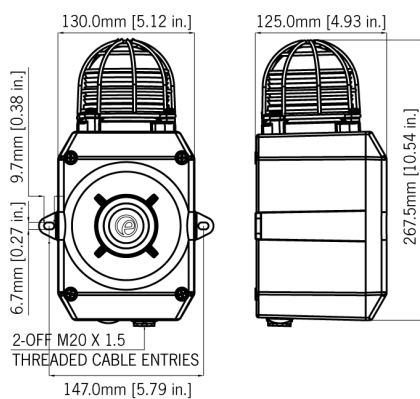
Features

- High output, up to 112dB(A) SPL.
- 3 remotely selectable alarm stages.
- Choice of 32 alarm tone frequencies.
- Automatic synchronisation on multi-sounder system.
- High intensity 120 candela L.E.D. array .
- Continuously rated.
- Stainless steel fixings.
- Duplicate cable terminations (in & out for daisy-chain installations).
- Tropicalisation available on request.
- Available with custom tone configurations and frequencies.
- Stage Programmable 4 stage/channel version available:
 - 45 alarm tones
 - 4 remotely selectable stages
 - Any tone can be assigned to any stage
 - User configurable continuous frequency tone

Coding

- UL & cULs approved: General signalling use.





Specification

Sounder:

Maximum output:	112dB(A) @ 1 metre [103dB(A) @ 10ft/3m]
Nominal output:	105dB(A) @ 1m +/- 3dB - Tone 2 [96dB(A) @ 10ft/3m]
No. of tones:	32 (UK00A / PFEER compliant)
No. of stages:	3
Volume control:	Max. 105dB(A); Min. 96dB(A) - Tone 2
Effective range:	60m/197ft @ 1KHz
Stage switching:	Negative Reverse polarity stage switching on DC units.

Beacon:

Light source:	High intensity L.E.D. array 24 x Superflux type high output L.E.D.'s
Flash options:	Steady or 2Hz flash mode (on board select)
Peak/Effective Intensity cd:	Green L.E.D: 176cd - measured ref. to I.E.S.
L.E.D. colours:	Amber, Blue, White, Green & Red
Lens colour:	All L.E.D. colours use a Clear lens to maximise output and to ensure the signal is most effective in high ambient light levels.

General:

Voltages DC:	24V dc (12-30V dc); 48V dc (35-60V dc) [DC units can use 24V ac for single stage applications.]
Voltages AC:	115V ac; 230V ac
Ingress protection:	IP66, Type 4 / 4X / 3R
Enclosure material:	Marine grade aluminium A1 Si 12 Cu
Enclosure colour:	Red (RAL3000), Grey (RAL7038)
Cable entries:	2 x M20 x 1.5mm threaded gland entries supplied with one stoppoing plug
Terminals:	0.5 to 1.5mm ² cables.
Operating temp:	-25 to +55°C [-13° to +131°F]
Storage temp:	-40 to +70°C [-40° to +158°F]
Relative humidity:	90% at 20°C [68°F]
Weight:	DC: 2.10kg/4.62lbs AC:2.35kg/5.17lbs

Part Codes

Version:	Part code:
24V dc	DL105HDC024[x]/[y]
48V dc	DL105HDC048[x]/[y]
115V ac	DL105HAC115[x]/[y]
230V ac	DL105HAC230[x]/[y]

[x] = Enclosure colour: G: Grey R: Red

[y] - L.E.D. colour: A: Amber, B: Blue, W: White, G: Green, R: Red

Suffix part number with 'P' for stage programmable, 4 stage, 45 tone version (not available with UL approval).

Suffix part number with 'UL' for UL approved version.

Note: All L.E.D. colours use a Clear lens to maximise output and to ensure the signal is most effective in high ambient light levels.

Alarm Sounder

Version:	Voltage:	Current:
24V dc	12-30V dc	25mA*
48V dc	35-60V dc	50mA*
115V ac	50/60Hz +/-10%	20mA
230V ac	50/60Hz +/-10%	15mA

* current at nominal voltage on Tone 2

L.E.D. Beacon

Version:	Voltage:	Current:
24V dc	12-30V dc	157mA
48V dc	35-60V dc	55mA
115V ac	50/60Hz +/-10%	60mA
230V ac	50/60Hz +/-10%	35mA

Tone table

S 1	Description	S 2	S 3
T 2	800/1000Hz @ 0.25 sec Alternating	T 17	T 5
T 3	500/1200Hz @ 0.3Hz 0.5 sec Slow Whoop	T 2	T 5
T 4	800/1000Hz @ 1Hz Sweeping	T 6	T 5
T 5	2400Hz Continuous	T 3	T 20
T 6	2400/2900Hz @ 7Hz Sweeping	T 7	T 5
T 7	2400/2900Hz @ 1Hz Sweeping	T 10	T 5
T 8	500/1200/500Hz @ 0.3Hz Sweeping	T 2	T 5
T 9	1200/500Hz @ 1Hz - DIN / PFEER P.T.A.P.	T 15	T 2
T 10	2400/2900Hz @ 2Hz Alternating	T 7	T 5
T 11	1000Hz @ 1Hz Intermittent	T 2	T 5
T 12	800/1000Hz @ 0.875Hz Alternating	T 4	T 5
T 13	2400Hz @ 1Hz Intermittent	T 15	T 5
T 14	800Hz 0.25sec on, 1 sec off Intermittent	T 4	T 5
T 15	800Hz Continuous	T 2	T 5
T 16	660Hz 150mS on, 150mS off Intermittent	T 18	T 5
T 17	544Hz (100mS)/440Hz (400mS) - NF S 32-001	T 2	T 27
T 18	660Hz 1.8sec on, 1.8sec off Intermittent	T 2	T 5
T 19	1.4KHz-1.6KHz 1s, 1.6KHz-1.4KHz 0.5s -NFC48-265	T 2	T 5
T 20	660Hz Continuous	T 2	T 5
T 21	554Hz/440Hz @ 1Hz Alternating	T 2	T 5
T 22	544Hz @ 0.875 sec. Intermittent	T 2	T 5
T 23	800Hz @ 2Hz Intermittent	T 6	T 5
T 24	800/1000Hz @ 50Hz Sweeping	T 29	T 5
T 25	2400/2900Hz @ 50Hz Sweeping	T 29	T 5
T 26	Bell	T 2	T 15
T 27	554Hz Continuous	T 26	T 5
T 28	440Hz Continuous	T 2	T 5
T 29	800/1000Hz @ 7Hz Sweeping	T 7	T 5
T 30	300Hz Continuous	T 2	T 5
T 31	660/1200Hz @ 1Hz Sweeping	T 26	T 5
T 32	Two T chime.	T 26	T 15