

E2xC1LD2R Combination Radial Horn & LED

The hazardous location E2xC1LD2R combined alarm sounder and LED beacon/status light is UL/cULs approved for Class I Div 2 and Class II Div 2 as well as IECEx and ATEX certified for Zone 2 and 22 applications.

The unique radial horn on the compact E2xC1LD2R distributes the audible warning signal omnidirectionally allowing the visual signal to be orientated optimally. The alarm horn offers a choice of 45 alarm tones and 3 remotely selectable stages. The LED beacon contains an array of 4 high output, multi-function L.E.D.s. with a total of 7 modes of operation – 5 flashing modes and 2 steady modes for use in indicator / status applications. The E2x range features enclosures manufactured from lightweight, corrosion proof PPS and high impact, fire retardant ABS re-entrant flare horns; both of which are suitable for the harshest of environments.

Features

- Corrosion proof PPS enclosure
- Ingress protection IP66/67, Type 4/4X
- Automatic synchronisation on multi-sounder systems
- Choice of five flash rates: 1Hz, 1.5Hz, 2Hz, double and triple flash.
- High and low power Steady modes
- Three remotely selectable stages/channels on DC versions.
- Glass lens & Stainless Steel guard
- UV stable PC field replaceable lens colour filter
- Stainless steel fixings
- Dual cable entries – stopping plug included.
- Duplicate cable terminations (in & out for daisy-chain installations)
- Ratchet adjustable stainless steel 'U' bracket.
- IP66/67 ingress protection.

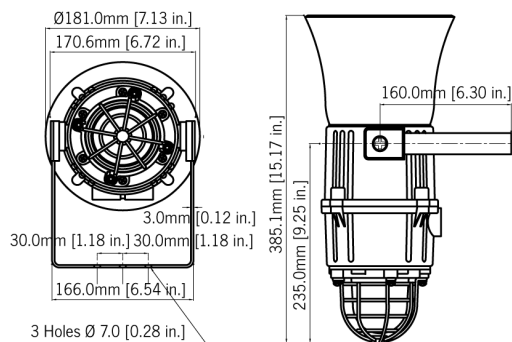
Approvals

- ATEX certificate: DEMKO 06 ATEX 0421554X
- IECEx certificate: IECEx ULD 14.0012X
- UL/cUL File ref: E230764

Coding

- ATEX / IECEx certification
 - II 3G Ex nA IIC Gc T3 Ta -20°C to +55°C
 - II 3D Ex tc IIIC Dc T105°C Ta -20°C to +55°C
 - II 3D Ex tc IIIC Dc T90°C Ta -20°C to +40°C
- NEC Class / Zone ratings US
 - Class I Zone 2 AEx nA IIC Gc T3 Ta -20°C to +55°C
 - Zone 22 AEx tc IIIC Dc T105°C Ta -20°C to +55°C
 - Zone 22 AEx tc IIIC Dc T90°C Ta -20°C to +55°C
- CEC Class / Zone ratings Canada
 - Ex nA IIC Gc T3B Ta -20°C to +55°C
 - Ex nA IIC Gc T3C Ta -20°C to +40°C
 - Ex tc IIIC Dc T105°C Ta -20°C to +55°C
 - Ex tc IIIC Dc T90°C Ta -20°C to +40°C
- NEC & CEC Class / Division Ratings for US / Canada
 - Class I, Div 2, ABCD T3C Ta -20°C to +55°C
 - Class II, Div 2, FG T4A Ta -20°C to +55°C
 - Class II, Div 2, FG T5 Ta -20°C to +40°C





Specification

Alarm Horn

Sounder:

Maximum output: 114dB(A) @ 1 metre [107dB(A) @ 10ft/3m]

Nominal output: 110dB(A) @ 1m +/- 3dB - Tone 2 [104dB(A) @ 10ft/3m]

No. of tones: 45 (UKOOA/PFEER compliant)

No. of stages: 3

Volume control: Max. 113dB(A) Min. 105dB(A) - Tone 2

Effective range: 100m/328ft @ 1KHz

LED Beacon / Status Light:

Source: Array of 4 x High Power Cree® LED's

Modes:
 1Hz flash (60 fpm)
 1.5Hz flash (90 fpm)
 2Hz flash (120 fpm)
 Double strike flash
 Triple strike flash
 High Power Steady
 Low Power Steady

Eff. Intensity cd: 87 cd - High Power Steady

Eff. Intensity cd: 160 cd - 1Hz flash

Voltages: 24V dc; 115V ac; 230V ac

General:

Voltages: 24vdc; 48vdc; 115vac; 230vac

Ingress protection: IP rating per EN60079-0:IP64
 IP rating per EN60529:IP66
 Type rating per UL50E/NEMA250:4/4X/13

Enclosure material: UL94V0 PPS & ABS

Lens material: Borosilicate glass dome with PC prismatic lens cover.

Guard: Stainless Steel dome guard as standard

Cable entries: Dual M20x1.5 or 1/2"NPT

Terminals: 0.5 - 2.5mm² (20-14 AWG)

Line monitoring: Blocking diode included, EOL can be factory fitted

LED life: 60,000 hours

Operating temp: -20 to +55°C [-4° to +131°F]

Storage temp: -40 to +70°C [-40° to +158°F]

Relative humidity: 90% at 20°C [68°F]

Weight: DC: 3.00Kg/6.6lbs AC: 3.50kg/7.7lbs

All candela data is representative of performance with clear lens at

Part Codes

Part Code:	Ident.:	Description:
Product type:	E2xC1LD2	Combined alarm horn & LED beacon
Type:	R	Radial Omni-directional Horn
Voltage:	AC115 AC230 DC024	115V ac 50/60Hz 230V ac 50/60Hz 24V dc
Cable entries:[e]	A B C	M20x1.5 & ½" NPT M20x1.5 & M20x1.5 ½" NPT & ½" NPT
Stopping plug material: [m]	N	Nylon
Bracket & Guard tag: [s]	1 2 3 4	304 A2 Stainless Steel 316 A4 Stainless Steel 304 A2 Stainless Steel & Equip. Tag 316 A4 Stainless Steel & Equip. Tag
Version: [v]	A1	UL, cULs, IECEx & ATEX
Enclosure: [x]	B	Black
Lens colour: [y]	A, B, C G, M, R Y	Amber, Blue, Clear Green, Magenta, Red Yellow

Current Consumption

Version:	Alarm Horn		LED Beacon			
	Voltage:	Current:	Voltage:	Steady High Power:	Steady Low Power:	Flashing 1Hz:
24V dc	+/-25%	265mA	18-54V	240mA	134mA	110mA
115V ac 50/60Hz	+/-10%	110mA	+/-10%	95mA	78mA	90mA
230V ac 50/60Hz	+/-10%	56mA	+/-10%	48mA	37mA	45mA

Tone table

S 1	Description	S 2	S 3	S 1	Description	S 2	S 3
T 2	800/1000Hz @ 0.25 sec Alternating	T 17	T 5	T 34	1000 & 2000Hz @ 0.5 sec Alternating - Singapore	T 38	T 45
T 3	500/1200Hz @ 0.3Hz 0.5 sec Slow Whoop	T 2	T 5	T 35	420Hz @ 0.625 sec Australian Alert	T 36	T 5
T 4	800/1000Hz @ 1Hz Sweeping	T 6	T 5	T 36	500-1200Hz 3.75sec /0.25sec. Australian Evac.	T 35	T 5
T 5	2400Hz Continuous	T 3	T 20	T 37	1000Hz Continuous - PFEER Toxic Gas	T 9	T 45
T 6	2400/2900Hz @ 7Hz Sweeping	T 7	T 5	T 38	2000Hz Continuous	T 34	T 45
T 7	2400/2900Hz @ 1Hz Sweeping	T 10	T 5	T 39	800Hz 0.25sec on, 1 sec off Intermittent	T 23	T 17
T 8	500/1200/500Hz @ 0.3Hz Sweeping	T 2	T 5	T 40	544Hz (100mS)/440Hz (400mS) - NF S 32-001	T 31	T 27
T 9	1200/500Hz @ 1Hz - DIN / PFEER P.T.A.P.	T 15	T 2	T 41	Motor Siren - slow rise to 1200 Hz	T 2	T 5
T 10	2400/2900Hz @ 2Hz Alternating	T 7	T 5	T 42	Motor Siren - slow rise to 800 Hz	T 2	T 5
T 11	1000Hz @ 1Hz Intermittent	T 2	T 5	T 43	1200 Hz Continuous	T 2	T 5
T 12	800/1000Hz @ 0.875Hz Alternating	T 4	T 5	T 44	Motor Siren - slow rise to 2400 Hz	T 2	T 5
T 13	2400Hz @ 1Hz Intermittent	T 15	T 5	T 45	1KHz 1s on, 1s off Intermittent - PFEER Gen. ...	T 38	T 34
T 14	800Hz 0.25sec on, 1 sec off Intermittent	T 4	T 5				
T 15	800Hz Continuous	T 2	T 5				
T 16	660Hz 150mS on, 150mS off Intermittent	T 18	T 5				
T 17	544Hz (100mS)/440Hz (400mS) - NF S 32-001	T 2	T 27				
T 18	660Hz 1.8sec on, 1.8sec off Intermittent	T 2	T 5				
T 19	1.4KHz-1.6KHz 1s, 1.6KHz-1.4KHz 0.5s -NFC48-265	T 2	T 5				
T 20	660Hz Continuous	T 2	T 5				
T 21	554Hz/440Hz @ 1Hz Alternating	T 2	T 5				
T 22	544Hz @ 0.875 sec. Intermittent	T 2	T 5				
T 23	800Hz @ 2Hz Intermittent	T 6	T 5				
T 24	800/1000Hz @ 50Hz Sweeping	T 29	T 5				
T 25	2400/2900Hz @ 50Hz Sweeping	T 29	T 5				
T 26	Bell	T 2	T 15				
T 27	554Hz Continuous	T 26	T 5				
T 28	440Hz Continuous	T 2	T 5				
T 29	800/1000Hz @ 7Hz Sweeping	T 7	T 5				
T 30	300Hz Continuous	T 2	T 5				
T 31	660/1200Hz @ 1Hz Sweeping	T 26	T 5				
T 32	Two T chime.	T 26	T 15				
T 33	745Hz @ 1Hz Intermittent	T 2	T 5				