

# E2xS112 Alarm Sounder/Horn

The hazardous area E2xS112 alarm horn sounder is UL/cULs approved for Class I Div 2 and Class II Div 2 as well as IECEx and ATEX certified for Zone 2 and 22 applications.

Authorized Distributor:  
GasDetectorsUSA.com  
Houston, TX USA  
832-615-3588  
sales@GasDetectorsUSA.com

With a nominal sound level output of 116dB(A) at 1 metre and a choice of 45 alarm tones and 3 remotely selectable stages the E2xS112 alarm sounder horn is suitable for all general signalling duties.

The E2x range features enclosures manufactured from lightweight, corrosion proof PPS and high impact, fire retardant ABS re-entrant flare horns; both of which are suitable for the harshest of environments.

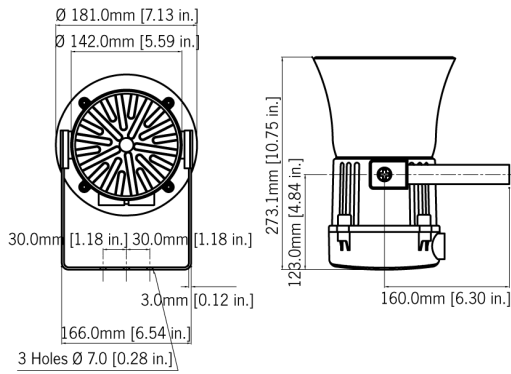
## Features

- Automatic synchronisation on multi-sounder system.
- Very large termination area.
- Ratchet adjustable stainless steel 'U' bracket.

## Approvals

- ATEX certificate: DEMKO 06 ATEX 042 1554X,  
EN60079-0:2012+A11:2013,  
EN60079-15:2010,  
EN60079-31:2014
- IECEx certificate: IECEx ULD 14.0012X,  
IEC 60079-0:2011,  
IEC 60079-15:2010,  
IEC 60079-31:2013
- UL File ref: E230764





## Specification

Maximum output:	116dB(A) @ 1 metre [107dB(A) @ 10ft/3m]
Nominal output:	113dB(A) @ 1m +/- 3dB - Tone 2 [104dB(A) @ 10ft/3m]
No. of tones:	45 (UKOOA/PFEER compliant)
No. of stages:	3
Volume control:	Max. 113dB(A); Min. 105dB(A) - Tone 2
Effective range:	100m/328ft @ 1KHz
Voltages DC:	24Vdc (10-30Vdc); 48Vdc
Voltages AC:	115Vac; 230Vac
Ingress protection:	IECEX/ATEX: IP66 & IP67 UL: Type 4, 4X & 13
Housing material:	UL94V0 PPS & ABS
Cable entries:	Dual M20x1.5 or 1/2"NPT
Terminals:	0.5 to 2.5mm <sup>2</sup> - In & Out
Weight:	DC: 2.5kg/5.5lbs AC: 3.00kg/6.6lbs

\*SPL data +/-3dB(A). Measured at optimum voltage.

## Classification:

UL/cULs:	Class I, Div 2, ABCD T3C (160°C) at 55°C Class I, Div 2, ABCD T4 (135°C) at +40°C Class II, Div 2, FG T6 (85°C) at +55°C Class III, Div 1&2, T6 (85°C) at +55°C
IECEX/ATEX:	II 3G Ex nA IIC T4 Gc Ta. -20°C to +55°C II 3D Ex tc IIIC T85°C Dc Ta. -20°C to +55°C IP64

## Part Codes

Part Code:	Ident.:	Description:
Product type:	E2xS112	
Flare type:	F	Flare Horn
Voltage:	AC115	115V ac 50/60Hz
	AC230	230V ac 50/60Hz
	DC024	24V dc (10-30V dc)
	DC048	48V dc
Cable entries:	A	M20x1.5 & 1/2" NPT
	B	M20x1.5 & M20x1.5
	C	1/2" NPT & 1/2" NPT
Bracket:	1	304 (A2) Stainless Steel
	2	316 (A4) Stainless Steel
Approvals:	A1	UL, cULs, IECEX & ATEX
Enclosure:	B	Black
e.g:	E2xS112 FAC230A1A1B	E2x S112 alarm horn sounder with flare horn in 230Vac with one M20 cable entry and one 1/2"NPT entry. Approved to IECEX, ATEX & UL. Black enclosure.

## Current Consumption

Version:	Voltage:	Current:
24V dc	10-30vdc	284mA
48V dc	38-58vdc	146mA
115V ac	50/60Hz +/-10%	104mA
230V ac	50/60Hz +/-10%	54mA

### Tone table

S 1	Description	S 2	S 3	S 1	Description	S 2	S 3
T 1	340 Hz Continuous	T 2	T 5	T 33	745Hz @ 1Hz Intermittent	T 2	T 5
T 2	800/1000Hz @ 0.25 sec Alternating	T 17	T 5	T 34	1000 & 2000Hz @ 0.5 sec Alternating - Singapore	T 38	T 45
T 3	500/1200Hz @ 0.3Hz 0.5 sec Slow Whoop	T 2	T 5	T 35	420Hz @ 0.625 sec Australian Alert	T 36	T 5
T 4	800/1000Hz @ 1Hz Sweeping	T 6	T 5	T 36	500-1200Hz 3.75sec /0.25sec. Australian Evac.	T 35	T 5
T 5	2400Hz Continuous	T 3	T 20	T 37	1000Hz Continuous - PFEER Toxic Gas	T 9	T 45
T 6	2400/2900Hz @ 7Hz Sweeping	T 7	T 5	T 38	2000Hz Continuous	T 34	T 45
T 7	2400/2900Hz @ 1Hz Sweeping	T 10	T 5	T 39	800Hz 0.25sec on, 1 sec off Intermittent	T 23	T 17
T 8	500/1200/500Hz @ 0.3Hz Sweeping	T 2	T 5	T 40	544Hz (100mS)/440Hz (400mS) - NF S 32-001	T 31	T 27
T 9	1200/500Hz @ 1Hz - DIN / PFEER P.T.A.P.	T 15	T 2	T 41	Motor Siren - slow rise to 1200 Hz	T 2	T 5
T 10	2400/2900Hz @ 2Hz Alternating	T 7	T 5	T 42	Motor Siren - slow rise to 800 Hz	T 2	T 5
T 11	1000Hz @ 1Hz Intermittent	T 2	T 5	T 43	1200 Hz Continuous	T 2	T 5
T 12	800/1000Hz @ 0.875Hz Alternating	T 4	T 5	T 44	Motor Siren - slow rise to 2400 Hz	T 2	T 5
T 13	2400Hz @ 1Hz Intermittent	T 15	T 5	T 45	1KHz 1s on, 1s off Intermittent - PFEER Gen. ...	T 38	T 34
T 14	800Hz 0.25sec on, 1 sec off Intermittent	T 4	T 5				
T 15	800Hz Continuous	T 2	T 5				
T 16	660Hz 150mS on, 150mS off Intermittent	T 18	T 5				
T 17	544Hz (100mS)/440Hz (400mS) - NF S 32-001	T 2	T 27				
T 18	660Hz 1.8sec on, 1.8sec off Intermittent	T 2	T 5				
T 19	1.4KHz-1.6KHz 1s, 1.6KHz-1.4KHz 0.5s -NFC48265	T 2	T 5				
T 20	660Hz Continuous	T 2	T 5				
T 21	554Hz/440Hz @ 1Hz Alternating	T 2	T 5				
T 22	544Hz @ 0.875 sec. Intermittent	T 2	T 5				
T 23	800Hz @ 2Hz Intermittent	T 6	T 5				
T 24	800/1000Hz @ 50Hz Sweeping	T 29	T 5				
T 25	2400/2900Hz @ 50Hz Sweeping	T 29	T 5				
T 26	Bell	T 2	T 15				
T 27	554Hz Continuous	T 26	T 5				
T 28	440Hz Continuous	T 2	T 5				
T 29	800/1000Hz @ 7Hz Sweeping	T 7	T 5				
T 30	300Hz Continuous	T 2	T 5				
T 31	660/1200Hz @ 1Hz Sweeping	T 26	T 5				
T 32	Two T chime.	T 26	T 15				