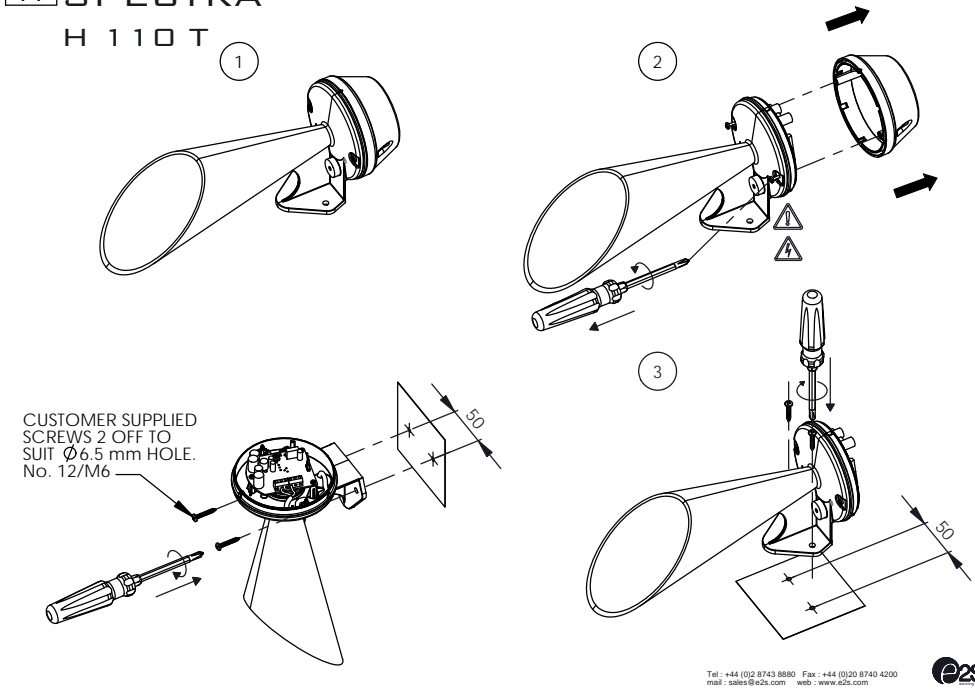


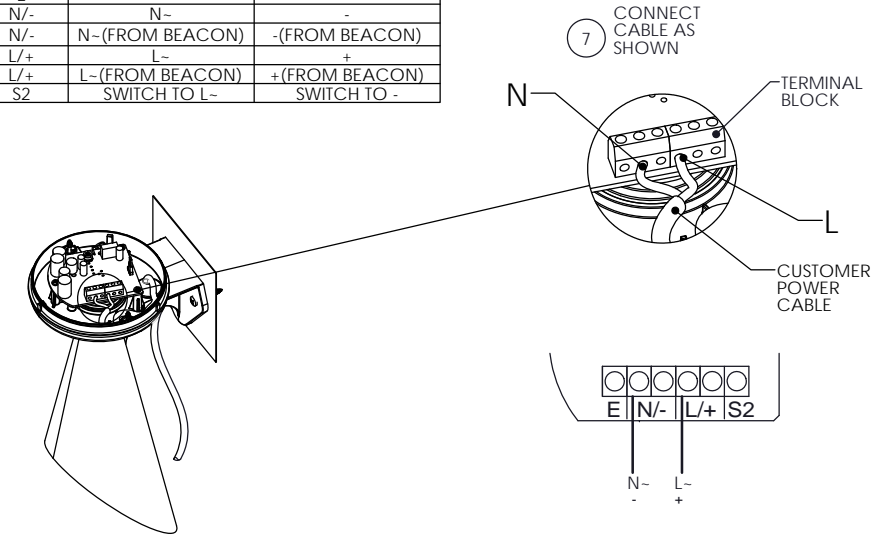
A SPECTRA
H 110 T



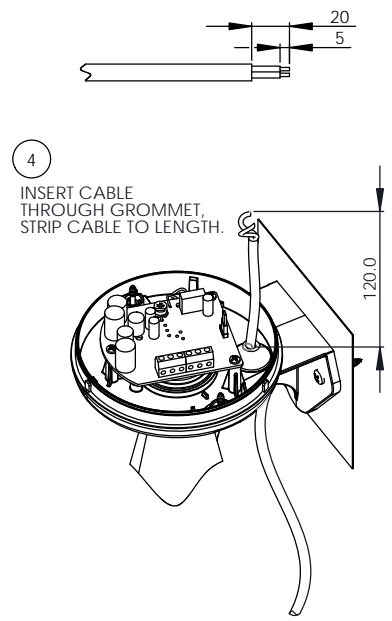
Tel : +44 (0)2 8743 8880 Fax : +44 (0)20 8740 4200
mail : sales@e2s.com web : www.e2s.com

C

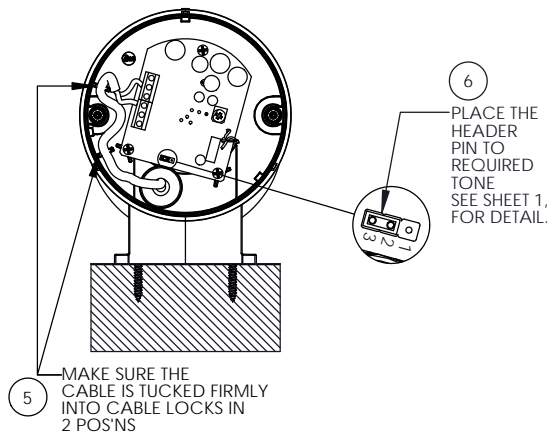
TERMINAL BLOCK	A/C INPUT	D/C INPUT
E		
N/-	N-	-
N/-	N-(FROM BEACON)	-(FROM BEACON)
L/+	L-	+
L/+	L-(FROM BEACON)	+(FROM BEACON)
S2	SWITCH TO L-	SWITCH TO -



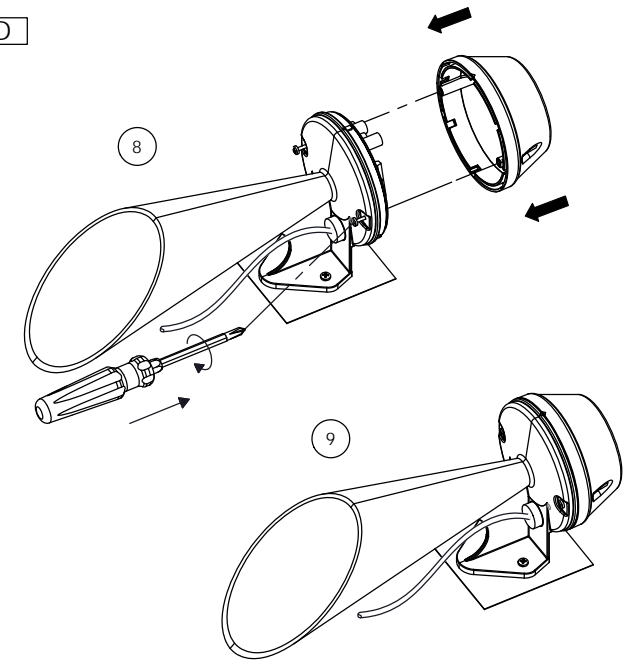
B



Dimensions in mm



D



D153-00-001-6_SHT2_ISSUE_B

A

SPECTRA

Trumpet Horn
IP Rating: IP65
Temp: -25 °C to +50 °C
Unit weight: 341g
CE

Order code Voltage
H110T030G 10-30V AC/DC
• 12V dc 52mA
• 24V dc 105mA
• 12V ac 50/60Hz 115mA
• 24V ac 50Hz 215mA

H110T230G 40-260V AC/DC
• 48V dc 42mA
• 48V ac 50/60Hz 68mA
• 115V dc 16mA
• 230V dc 8mA
• 115V ac 50/60Hz 36mA
• 230V ac 50/60Hz 18mA

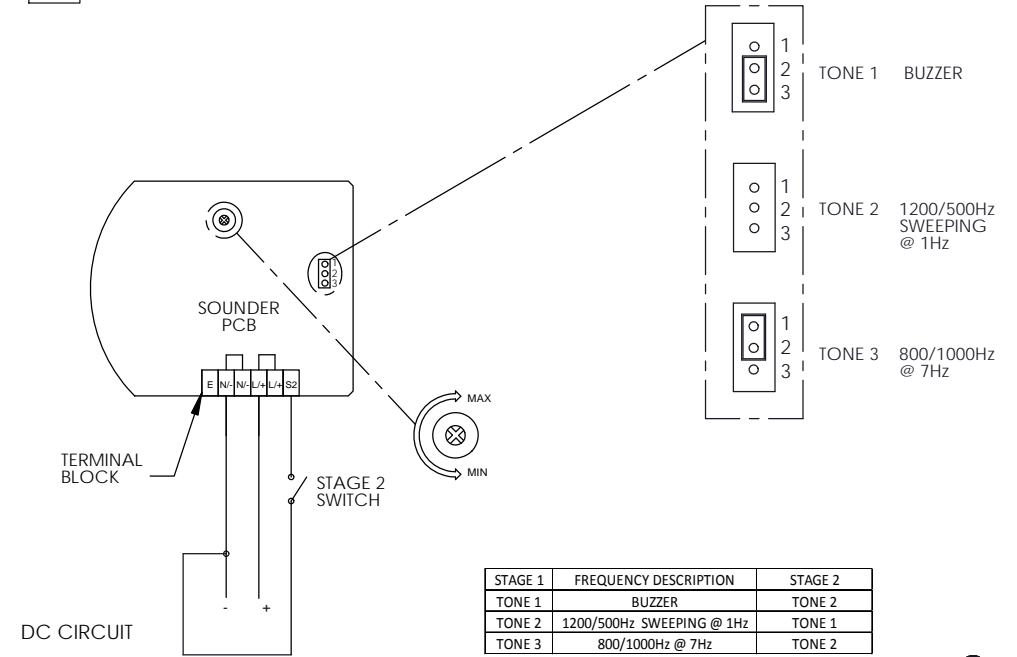
H110 T

Dimensions : 336.7 x 135mm
1.5mm² terminals
Cable entry: 1 x 5-7mm push
through grommet

Tel : +44 (0)2 8743 8880 Fax : +44 (0)20 8740 4200
mail : sales@e2s.com web : www.e2s.com



C



B

⚠ ATTENTION: Installation must be carried out by an electrician in compliance with the latest codes and regulations.

⚠ ATTENTION: Disconnect from power source before installation or service to prevent electric shock.

D

