

IS-CP4A-PB/IS-CP4B-PB Push Button Call Point

The IS-CP4A-PB and IS-CP4B-PB push button manual call points are approved for Zones 0, 1, 2, 21 & 22 requiring intrinsically safe equipment for the control of fire and gas alarm systems. SIL 2 compliant to IEC 61508 (2010).

The push button mechanism is protected by a spring loaded cover therefore the switch requires a two-action activation. The product is user resettable by rotating the push button. The IS-CP4 range features enclosures manufactured from corrosion proof, marine grade, copper free LM6 (A413) aluminium which is chromated and powder coated. Available with and without monitoring resistors all versions are certified to ATEX and IECEx standards.

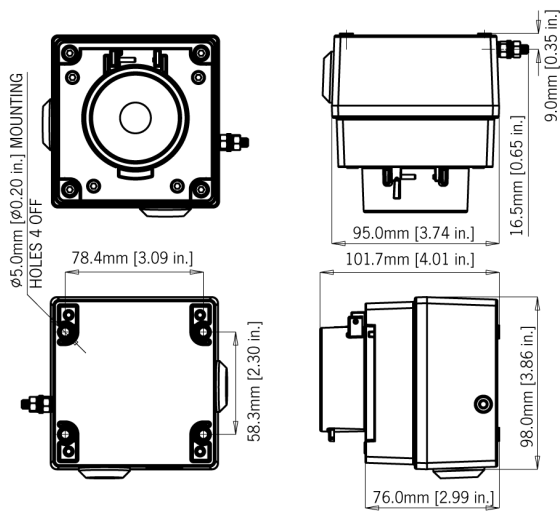
Options

- Alternative housing colours are available to meet specific requirements.
- Metalised Polyester "Duty" label.
- Series and/or End of Line resistors.

Approvals

- ATEX certificate: SIRA 09ATEX2287X, EN 60079-0 : 2012, EN 60079-11 : 2012, IEC 60079-26 : 2014, EN 60079-31 : 2014
- IECEx certificate: IECEx SIR 09.0122X, IEC 60079-0 : 2011, IEC 60079-11 : 2011, IEC 60079-26 : 2014, IEC 60079-31 : 2013
- GOST-R certificate: POCC GB.JB05.B03365
- SIL 2 compliant to IEC 61508 (2010)





Specification

ISCP4A-PB:	II 1G Ex ia IIC T6 Ga II 2D Ex tb IIIC T60°C Db IP66
ISCP4B-PB:	II 1G Ex ia IIC T4 Ga IP66
Ambient:	Ta = -40°C to +55°C [-40° to +131°F]
Ingress protection:	IP66
Enclosure material:	Marine grade copper free LM6 Aluminium
Enclosure finish:	Chromated & powder coated finish: anti-corrosion.
Colour:	RAL3000 Red (others available on request)
Cable entries:	2 x M20 clearance top and 1 x M20 clearance side. Back box can be rotated to give 2 x bottom and 1 x side entries.
Stopping plugs:	2 x nylon plugs as standard Brass and stainless steel plugs optional
Terminals:	6 × 4.0mm ² cables
Weight:	0.8Kg

Part Codes

Option:	Code:	Description:
Type:	ISCP4A-PB	A type - no end of line devices
	ISCP4B-PB	B type - choice of end of line devices
Terminals:	ST	ST: Standard 6 × 4mm ²
Duty label:	NL	No duty label
	DL	Duty label required - specify contents
Colour:	RD	Red enclosure colour
	XX	Other enclosure colour - contact sales
E.O.L. Resistor:	ExxxR	Resistor value in Ohms e.g. E470R = 470 Ohm (only required for ISCP4B type)
Series Resistor:	SxxxR	Resistor value in Ohms e.g. E1K5R = 1.5K Ohm (only required for ISCP4B type)
e.g. ISCP4A-PB-ST-LF-NL-RD ISCP4A Push button call point with 6 × 4mm ² terminals and no duty label. Red housing		
e.g. ISCP4B-PB-ST-NF-NL-RD-E470R ISCP4B Push button call point with 6 × 4mm ² terminals, no duty label, with a 470 Ohm end of line resistor. Red housing.		

Versions

Version:	Input:	Voltage:	Terminals:	Cable entries:
ISCP4A-PB	U _i = 30V I _i = 500mA P _i = 1.1W C _i = 0 L _i = 0	250V ac Max. 5.0A Max. 50V dc Max. 1.0A Max.	6 × 4mm ²	2 x M20 Top/Bottom 1 x M20 Left/Right
Coding:	II 1G Ex ia IIC T6 Ga Ta = - 40°C to +55°C II 2D Ex tb IIIC T60°v C Db IP66			
Version:	Input:		Terminals:	Cable entries:
ISCP4B-PB	U _i = 30V I _i = 500mA P _i = 1.1W C _i = 0 L _i = 0		6 × 4mm ²	2 x M20 Top/Bottom 1 x M20 Left/Right
Coding:	II 1G Ex ia IIC T4 Ga Ta = - 40°C to +55°			