

MB005 Xenon Strobe Beacon

The MB005 is a 5 Joule Xenon strobe beacon featuring a robust, fire retardant, IP66 & IP67 housing; suitable for harsh environments.

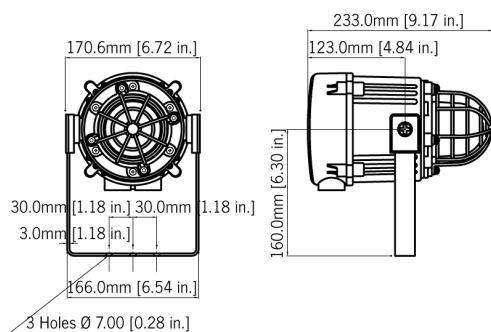
Features

- Automatic synchronised flash, or Flip-Flop alternating mode.
- Xenon tube mechanically secured against vibration.
- Continuously rated.
- Large termination area.
- Stainless steel fixings.
- Ratchet adjustable stainless steel 'U' bracket for 360° positioning.
- Duplicate cable terminations (in & out for daisy-chain installations).
- Tropicalised as standard.

Approvals

- GOST-R certificate: POCC G.B.JB05.H00144.





Specification

| | |
|-------------------------|---|
| Energy: | 5 Joules (5Ws) |
| Flash rate: | 1Hz (60 fpm) |
| Peak Candela: | 500,000 cd - calculated from energy (J) |
| Effective Intensity cd: | 250 cd - calculated from energy (J) |
| Peak Candela: | 16,428 cd* - measured ref. to I.E.S. |
| Effective Intensity cd: | 51 cd* - measured ref. to I.E.S. |
| Lens colours: | Amber, Blue, Clear, Green, Red & Yellow |
| Voltages DC: | 12V dc; 24V dc; 48V dc |
| Voltages AC: | 115V ac; 230V ac |
| Ingress protection: | IP66 & IP67 (Third party tested) |
| Housing material: | High impact UL94 V0 & 5VA FR ABS |
| Colour: | Grey (RAL7038) |
| Cable entries: | 2 x M20 supplied with 1 blanking plug |
| Lens material: | Borosilicate glass dome with PC prismatic lens cover. |
| Guard: | Stainless Steel dome guard as standard |
| Terminals: | 0.5 to 4.0mm ² cables. |
| Operating temp: | -25 to +55°C [-13° to +131°F] |
| Storage temp: | -40 to +70°C [-40 to +158°F] |
| Relative humidity: | 90% at 20°C [68°F] |
| Weight: | 1.48kg/3.25lbs |

*Candela measurements representative of performance with clear lens at optimum voltage.

Part Codes

| Version: | Part code: |
|----------|------------------|
| 12V dc | MBC05DC12G-[xx] |
| 24V dc | MBC05DC24G-[xx] |
| 48V dc | MBC05DC48G-[xx] |
| 115V ac | MBC05AC115G-[xx] |
| 230V ac | MBC05AC230G-[xx] |

[xx] = Lens colour: AM: Amber, BL: Blue, CL: Clear, GN: Green, RD: Red, YW: Yellow

Also available as the MCA112-05 combined alarm sounder and Xenon beacon and the MCL15-05 15W PA Loudspeaker with Xenon beacon.

Current Consumption

| Version: | Voltage: | Current mA: |
|----------|----------------|-------------|
| 12V dc | 10-14V dc | 750mA |
| 24V dc | 20-28V dc | 270mA |
| 48V dc | 42-54V dc | 180mA |
| 115V ac | 50/60Hz +/-10% | 140mA |
| 230V ac | 50/60Hz +/-10% | 55mA |

AUTHORIZED DISTRIBUTOR:
GasDetectorsUSA.com
Houston, Texas USA
sales@GasDetectorsUSA.com
832-615-3588