

SON4L Alarm Sounder & LED Beacon

The SON4L is a compact, high output, 100dB(A) alarm sounder with integral L.E.D. array beacon. The robust fire retardant housing ensures the SON4L is suitable for all general signalling applications including fire, security and process control.

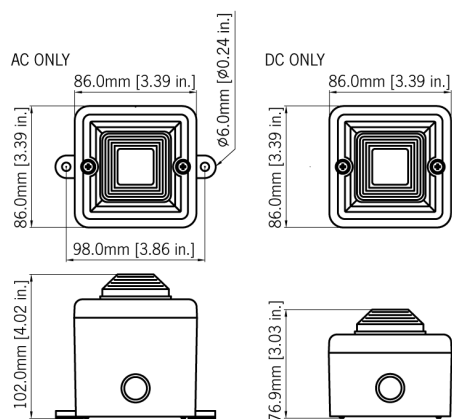
Features

- Automatic synchronisation on multi-sounder system.
- Continuously rated.
- Stainless steel fixings.
- Unit can be mounted using external lugs (on AC versions) or internal BESA compatible fixing positions.
- Duplicate cable terminations (in & out for daisy-chain installations).
- Tropicalisation available on request.
- Available with custom tone configurations and frequencies.

Approvals

- VdS approved: EN54-3 (CPD 89/106/EEC).
- GOST-R approved. Cert: POCC GBJB05-H00144.





Specification

Sounder:

Maximum output: 100dB(A) @ 1 metre [91dB(A) @ 10ft/3m]

Nominal output: 99dB(A) @ 1m +/- 3dB - Tone 1 [90dB(A) @ 10ft/3m]

No. of tones: 10 (UK00A / PFEER compliant)

No. of stages: 3

Volume control: On board potentiometer

Effective range: 30m/99ft @ 1KHz

Stage switching: Negative

Beacon:

Light source: 5 x high intensity L.E.D. array

Flash rate: 2 Hz

Peak/Effective Intensity cd: 3cd* - measured ref. to I.E.S.

Lens / L.E.D.: Amber & Red

General:

Voltages DC: 12V dc; 24V dc; 48V dc
Reverse polarity diode protection on DC units.

Voltages AC: 24V ac; 115V ac; 230V ac

Ingress protection: IP66

Housing material: High impact UL94 V0 & 5VA FR ABS

Colour: Red (RAL3000), grey (RAL7038) & white.

Lens material: PC

Cable entries: 4 x M20 clearance gland knockouts in side & back

Terminals: 0.5 to 1.5mm² cables.

Operating temp: -25 to +55°C [-13° to +131°F]

Storage temp: -40 to +70°C [-40° to +158°F]

Relative humidity: 90% at 20°C [68°F]

Weight: DC: 0.30kg/066lbs AC:0.40kg/0.88lbs

*SPL data +/-3dB(A). Measured at optimum voltage.

*Candela measurements representative of performance with amber lens at optimum voltage.

Part Codes

Version:

Part code:

12V dc SON4LDC12 [x]/[y]

24V dc SON4LDC24[x]/[y]

48V dc SON4LDC48[x]/[y]

24V ac SON4LAC24[x]/[y]

115V ac SON4LAC115[x]/[y]

230V ac SON4LAC230[x]/[y]

[x] = Housing colour: G: Grey R: Red W: White

[y] = Lens colour: A: Amber, R: Red

Tonetable

S 1	Description	S 2	S 3
T 1	800/1000Hz @ 0.25 sec Alternating	T 8	T 5
T 2	500/1200Hz @ 0.3Hz 0.5 sec Slow Whoop	T 1	T 8
T 3	1200/500Hz @ 1Hz - DIN / PFEER P.T.A.P.	T 1	T 8
T 4	544Hz (100mS)/440Hz (400mS) - NF S 32-001	554Hz	T 2
T 5	1000Hz Continuous - PFEER Toxic Gas	T 1	T 6
T 6	Bell	T 1	T 8
T 7	800/1000Hz @ 7Hz Sweeping	T 5	T 1
T 8	2400/2900Hz @ 50Hz Sweeping	T 5	T 1
T 9	420Hz @ 0.625 sec Australian Alert	T 10	T 5
T 10	500-1200Hz 3.75sec /0.25sec. Australian Evac.	T 6	T 5

AUTHORIZED DISTRIBUTOR:
GasDetectorsUSA.com
Houston, Texas USA
sales@GasDetectorsUSA.com
832-615-3588