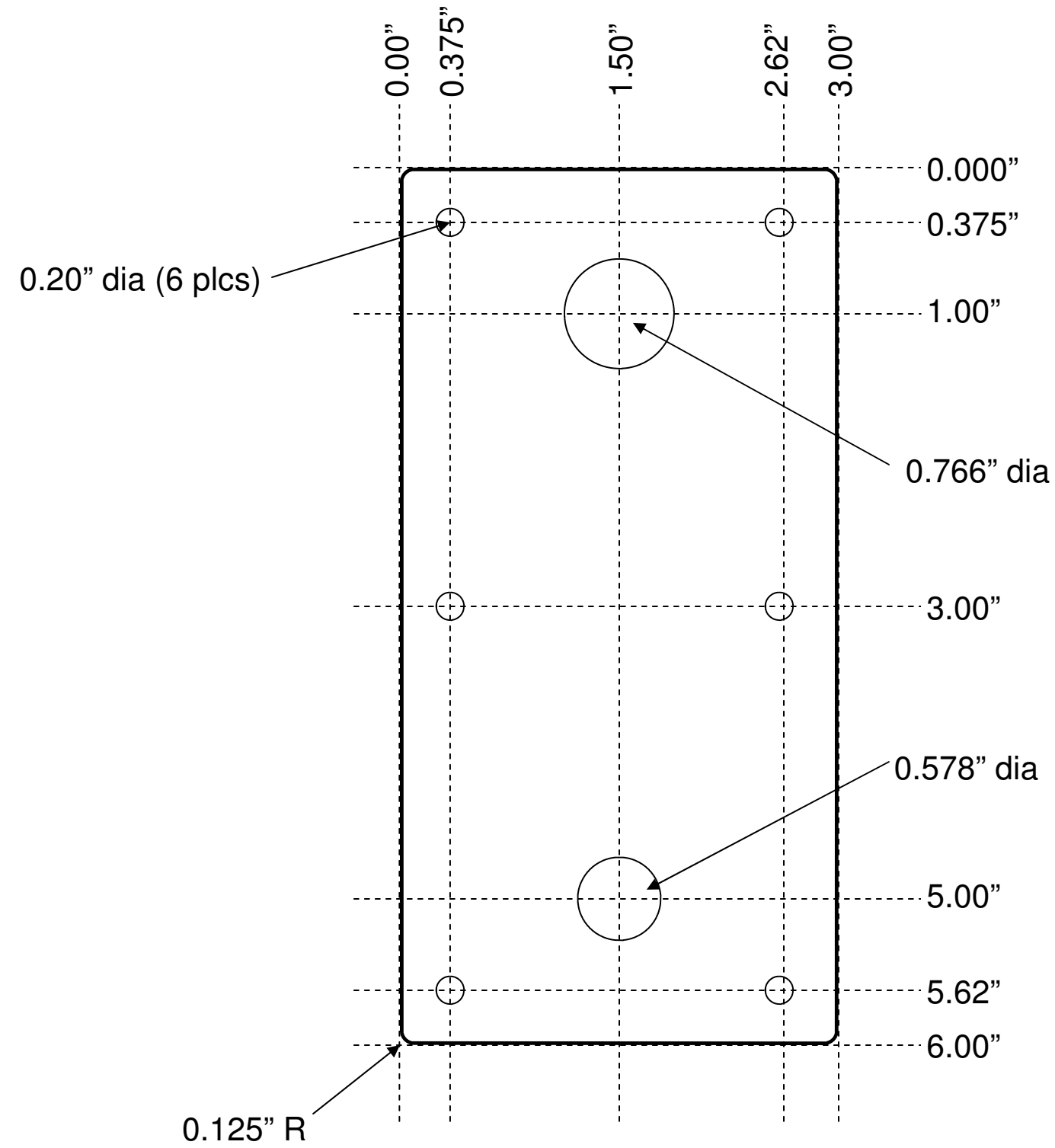


		6/13/13
GDS Corp 2513 Hwy 646 Santa Fe, Texas 77510 409-927-2980		
Sample Draw Duct Assembly 20-0141		
SIZE	PART / DRAWING NO.	REV.
B	GDS-061322013-01	

Material: #316 Stainless Steel, 14GA (0.078)



		10/11/12
GDS Corp 2513 Hwy 646 Santa Fe, Texas 77510 409-927-2980		
Duct Flow Monitor Plate		
SIZE	PART / DRAWING NO.	REV.
B	GDS-10112012-02	