

Touchpoint Pro Input/Output Modules



Specifications

Common Specifications

Common Specifications	
Dimensions	35.0 mm x 99.5 mm x 114.5 mm (W x H x D)
Installation	5, 7, 9 or 10-way Communication / Power Rail
Maximum Wire Size	2.5 mm ²
IP Rating	IP20
EMC	EN 50270
Power Supply	18-32 Vdc (24 Vdc nominal)
DIN Rail Compatibility	TS-35 / 15
Casing Material	Polyamide PA 6.6 V0 (UL94)
Operating Temperature Range	-40°C to 65°C
Storage Conditions	-40°C to 65°C
Operating Humidity Range	10 to 90% RH (non-condensing)
Weight	210 g
Environmental Protection Class	Pollution Degree 2 (indoor sheltered)

Analogue Input Module mA

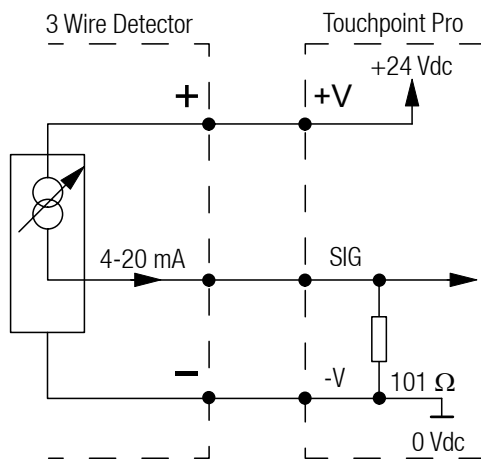
Analogue Input Module mA	
Description	4-channel 4-20 mA Analogue Input Module with 2 or 3 wire interface to detector
Sensor Configuration	4 x 2-wire or 3-wire (current sourced from detector)
Signal Measurement Range	0-25 mA
Supply Voltage (Vs)	24 Vdc (18-32 Vdc)
Field Device Supply Voltage	Supply Voltage (Vs) – 0.7 V
Single Channel Field Device Supply Current	Maximum 1 A
Total Field Device Supply Current	Total Maximum current : 2 A at 65 °C ambient Total Maximum current : 4 A at 55 °C ambient
Power Consumption	0.8 W (Excluding sensor supply)
Power Dissipation	Maximum 3.7 W, at 4 A total field device load Maximum 2.1 W, at 2 A total field device load
Sense Resistance	101 Ω
Connector Coding	Analogue Input Module connectors (TB1-TB4) are coded with coding keys to avoid mis-wiring
DIN Rail connector (Module Supply and Communication)	Maximum Current: 4.04 A (18-32 Vdc)

Touchpoint Pro Input/Output Modules

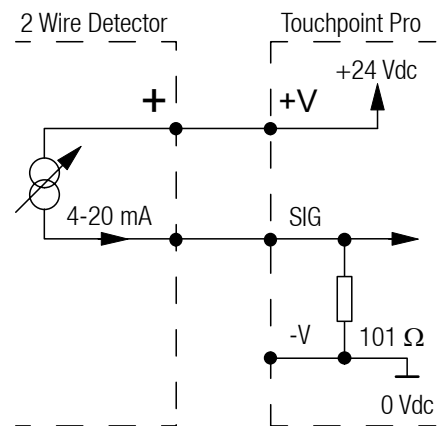
Specifications continued



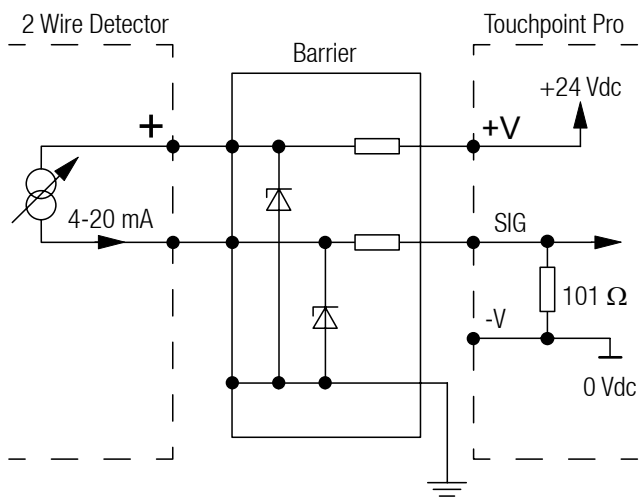
Terminal Identification	Label	Channel	Field Device
1	+V	Input 1	+24 Vdc
2	SIG		4-20 mA signal
3	-V		0 Vdc
4	+V	Input 2	+24 Vdc
5	SIG		4-20 mA signal
6	-V		0 Vdc
7	+V	Input 3	+24 Vdc
8	SIG		4-20 mA signal
9	-V		0 Vdc
10	+V	Input 4	+24 Vdc
11	SIG		4-20 mA signal
12	-V		0 Vdc



Three wire device



Two wire loop powered device



Two wire device with a barrier

Touchpoint Pro Input/Output Modules

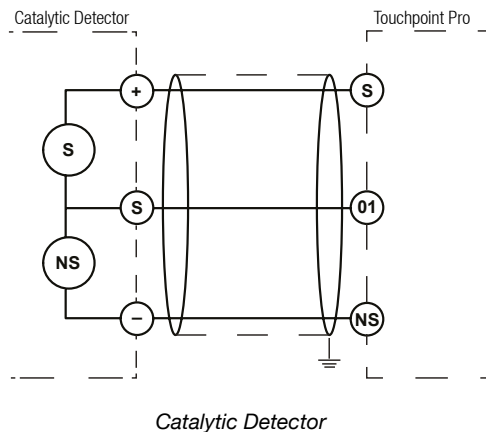
Specifications continued



Analogue Input Module mV

Analogue Input Module mV	
Description	4-channel Analogue Input Module for Catalytic Bridge sensors
Electrical Connection	4 x 3-wire mV-Bridge
Supply Voltage	24 Vdc (18-32 Vdc)
Sensor Drive method	Constant current
Programmable Current Range	180-360 mA
Maximum Loop Resistance	Total Maximum loop resistance: 40 Ω at 200 mA (including Sensor) Total Maximum loop resistance: 27 Ω at 360 mA (including Sensor)
Input Range	± 15 mV to ± 600 mV
Power Consumption	Maximum 1.2 W (Excluding Sensors)
Power Dissipation	Maximum 3.5 W
Connector Coding	Analogue Input Module connectors (TB1-TB4) are coded with coding keys to avoid mis-wiring
DIN Rail connector (Module Supply and Communication)	Maximum Current: 1.1 A (18-32 Vdc)

Terminal Identification	Label	Channel	Field Device
1	S	Input 1	Sensitive (+)
2	01		Signal
3	NS		Non-sensitive (-)
4	S	Input 2	Sensitive (+)
5	01		Signal
6	NS		Non-sensitive (-)
7	S	Input 3	Sensitive (+)
8	01		Signal
9	NS		Non-sensitive (-)
10	S	Input 4	Sensitive (+)
11	01		Signal
12	NS		Non-sensitive (-)



Touchpoint Pro Input/Output Modules

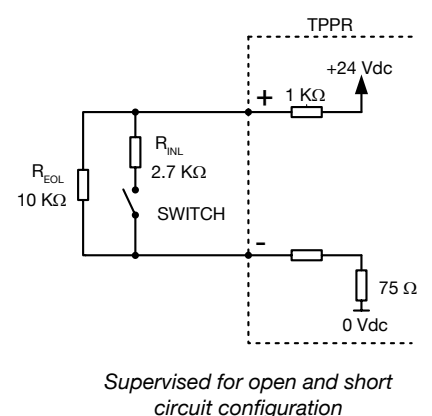
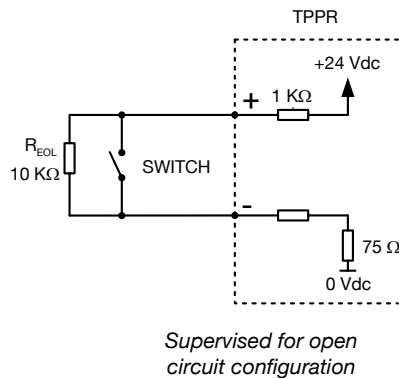
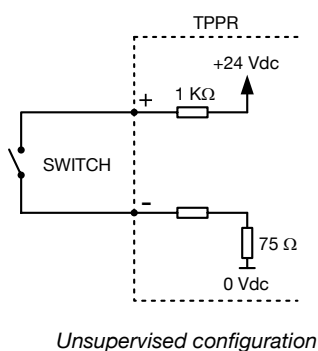
Specifications continued



Digital Input Module

Digital Input Module	
Description	4-Channel Digital Input Module for switched input devices
Electrical Connection	4 x 2-wire Switch Inputs
Supply Voltage	24 Vdc (18-32 Vdc)
Power Consumption	1 W maximum (no inputs connected)
Power Dissipation	2.8 W maximum
Field Terminals (TB1-TB4) Ratings	Maximum current of 14 mA through switched input device at 18-32 Vdc
EOL (End Of Line) Resistance	10 k Ω , 0.25 W, \pm 1%
INL (In-Line) Resistance	2.7 k Ω , 0.25 W, \pm 1%
Switch Input Device supply Voltage (Vs)	Minimum 15 V Maximum 32 V
Switch Input Device supply Current (Is)	Minimum 5 mA for Supervised OC/SC Switch ON condition Maximum 14 mA for Unsupervised Switch ON condition
Connector Coding	Digital Input Module connectors (TB1-TB4) are coded with coding keys to avoid mis-wiring
DIN Rail connector (Module Supply and Communication)	Maximum Current: 95 mA (18-32 Vdc)

Terminal Identification	Label	Channel
1	+	Input 1
2		
3	-	
4	+	Input 2
5		
6	-	
7	+	Input 3
8		
9	-	
10	+	Input 4
11		
12	-	



Touchpoint Pro Input/Output Modules

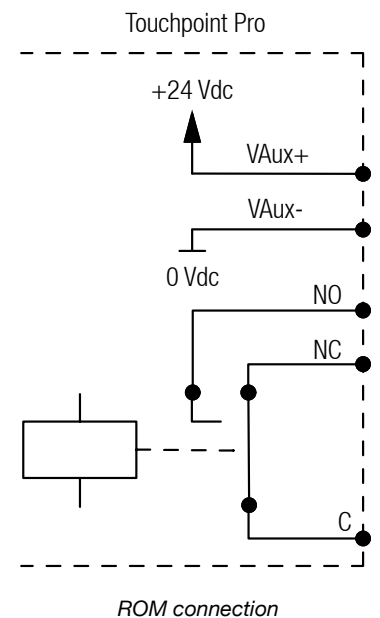
Specifications continued



Relay Output Module

Relay Output Module	
Description	4-channel Relay Output Module incorporating 4 single pole change over (SPCO) relays and 24 Vdc Auxiliary Power Output
Electrical Connection	4 x SPCO Relay Terminals (TB1 to TB4) 4 x 2-wire Auxiliary Output Terminals (TB5 to TB8)
Supply Voltage (Vs)	24 Vdc (18-32 Vdc)
Auxiliary Supply Voltage	Supply Voltage (Vs) – 0.7 V
Auxiliary Supply Current	Maximum 1.5 A
Power Consumption	Maximum 1.5 W (excluding auxiliary power consumption)
Power Dissipation	Maximum 2.3 W
Relay Contacts (TB1-TB4)	Maximum 5 A through one relay contact at 250 Vac / 30 Vdc (non-inductive) Maximum 8 A total through all four relay contacts at 250 Vac / 30 Vdc (non-inductive) Minimum 12 Vdc, 10 mA
Connector Coding	Relay output connectors (TB1-TB4) and auxiliary output connectors (TB5-TB8) are coded with coding keys to avoid mis-wiring. The relay output connectors (TB1-TB4) are coloured black to identify them for AC supply wiring
DIN Rail connector (Module Supply and Communication)	Maximum Current: 1.62 A (18-32 Vdc)

Terminal Identification	Label	Channel
1	NO	Relay 1
2	NC	
3	C	
4	NO	Relay 2
5	NC	
6	C	
7	NO	Relay 3
8	NC	
9	C	
10	NO	Relay 4
11	NC	
12	C	
13		V Aux 1
14	+V	
15	-V	V Aux 2
16		
17	+V	V Aux 3
18	-V	
19		V Aux 4
20	+V	
21	-V	
22		
23	+V	V Aux 4
24	-V	



Touchpoint Pro Input/Output Modules

Specifications continued



Input and Output Modules (I/O Modules)

Power Supplies	
TPPR-V-1000	Analogue Input Module 4-20mA
TPPR-V-1010	Analogue Input Module mV-Bridge
TPPR-V-1030	Digital Input Module
TPPR-V-1040	Relay Output Module

Honeywell Analytics Gas Detection



Honeywell Analytics is able to provide gas detection solutions to meet the requirements of all applications and industries. Contact us in the following ways:

Headquarters

Europe, Middle East, Africa

Life Safety Distribution AG

Javastrasse 2

8604 Hegnau

Switzerland

Tel: +41 (0)44 943 4300

Fax: +41 (0)44 943 4398

gasdetection@honeywell.com

Customer Service:

Tel: +800 333 222 44 (Freephone number)

Tel: +41 44 943 4380 (Alternative number)

Fax: +800 333 222 55

Middle East Tel: +971 4 450 5800 (Fixed Gas Detection)

Middle East Tel: +971 4 450 5852 (Portable Gas Detection)

Americas

Honeywell Analytics Distribution Inc.

405 Barclay Blvd.

Lincolnshire, IL 60069

USA

Tel: +1 847 955 8200

Toll free: +1 800 538 0363

Fax: +1 847 955 8210

detectgas@honeywell.com

Asia Pacific

Honeywell Analytics

Asia Pacific

#701 Kolon Science Valley (1)

43 Digital-Ro 34-Gil, Guro-Gu

Seoul 152-729

Korea

Tel: +82 (0) 2 6909 0300

Fax: +82 (0) 2 2025 0388

India Tel: +91 124 4752700

analytics.ap@honeywell.com

Technical Support Centres

Honeywell Analytics Ltd.

4 Stinsford Road

Nuffield Industrial Estate

Poole, Dorset, BH17 0RZ

United Kingdom

Tel: +44 (0) 1202 645 544

Fax: +44 (0) 1202 645 555

Honeywell Analytics

ZAC Athélia 4 - 375 avenue du Mistral

Bât B, Espace Mistral

13600 La Ciotat

France

Tel: +33 (0) 4 42 98 17 75

Fax: +33 (0) 4 42 71 97 05

Honeywell Analytics

Elsenheimerstrasse 43

80687 München

Germany

Tel: +49 89 791 92 20

Fax: +49 89 791 92 43

Honeywell Analytics

P.O. Box-45595

6th Street

Musaffah Industrial Area

Abu Dhabi

UAE

Tel: +971 2 554 6672

Fax: +971 2 554 6672

EMEA: HAexpert@honeywell.com

US: ha.us.service@honeywell.com

AP: ha.ap.service@honeywell.com

www.honeywellanalytics.com

www.raesystems.com

Honeywell Analytics
Experts in Gas Detection

BWF
Technologies
by Honeywell

RAE
SYSTEMS
by Honeywell

Please Note:

While every effort has been made to ensure accuracy in this publication, no responsibility can be accepted for errors or omissions. Data may change, as well as legislation, and you are strongly advised to obtain copies of the most recently issued regulations, standards, and guidelines. This publication is not intended to form the basis of a contract.

13452_TPPR Spec Sheet_Input/Output Modules

V1_10/14_EMEA

© 2014 Honeywell Analytics

Honeywell