

Harsh Industrial & Marine Environments



Features

- IP66 and IP67.
- Temperature range: -55°C to $+70^{\circ}\text{C}$.
- Corrosion resistant grey painted GRP.
- Up to 117dB(A) output.
- 27 user selectable tones.
- Tones may be programmed to customer specification.
- Stainless steel ratcheted mounting bracket.
- Earth continuity available.
- Paint finish to customer requirement.
- Available compliant to AFNOR NF S 32 001.

Introduction

This range of sounders have been specially designed for use in demanding industrial and marine environments where a robust construction and high ingress protection rating is required.

The body is manufactured completely from a UV stable glass reinforced polyester which is also highly flame retardant and impact resistant. Stainless steel screws are incorporated thus ensuring a corrosion free product.

Cooper MEDC can also provide a range of sounders suitable for use in potentially explosive atmospheres.

For more information please contact Cooper MEDC.

Authorized Distributor:
GasDetectorsUSA.com
Houston, TX USA
832-615-3588
sales@GasDetectorsUSA.com

IP66/67
Weatherproof

Corrosion Free
All GRP



Specification

| | |
|----------------------------|---|
| Material: | Body & horn in UV stable, glass reinforced polyester. Swivel bracket in stainless steel. Cover screws in stainless steel. |
| Finish: | Painted to customer specification |
| Voltage: | Up to 48V d.c. Up to 254V a.c. |
| Operating Temp: | -55°C to +70°C. |
| Weight: | 2.6kg approx. Dependent on model. |
| Ingress Protection: | IP66 & IP67. |
| Entries: | 2 x M20 ISO. |
| Terminals: | 4 x 2.5mm ² (a.c.), 6 x 2.5mm ² (d.c.). |
| Output: | DB15 117dB(A) maximum. |
| Mounting: | Stainless steel bracket with ratchet facility. |
| Earth Continuity: | Available. |
| Labels: | Duty and tag labels optional. |

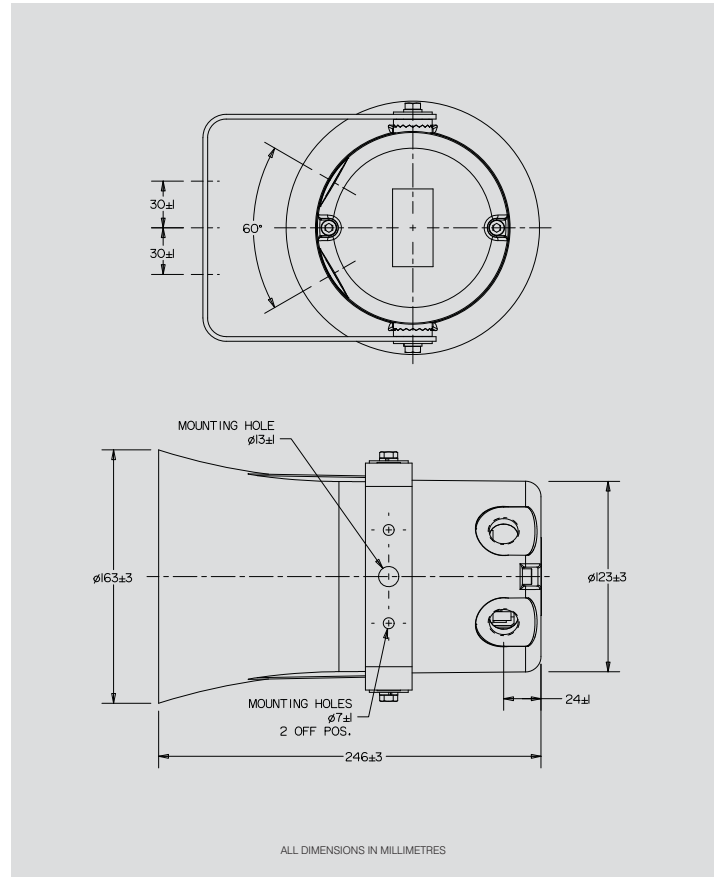
Volume Control:

| *Nominal Output dB(A) | Input Current mA |
|-----------------------|------------------|
| 100 | 150 |
| 105 | 250 |
| 108 | 350 |
| 110 | 450 |
| 112 | 550 |

*Output measured with 24V input voltage. Tone set to 970Hz continuous.

Current Consumption:

| V | I |
|-----------|-------|
| 12V d.c. | 900mA |
| 24V d.c. | 600mA |
| 48V d.c. | 280mA |
| 110V a.c. | 150mA |
| 120V a.c. | 175mA |
| 220V a.c. | 93mA |
| 240V a.c. | 86mA |
| 254V a.c. | 80mA |



ALL DIMENSIONS IN MILLIMETRES

Tone Selection:

- DB15: (Single):** 27 user selectable tones available. Additional 5 tones may be programmed.
- DB15P (Two stage unit):** Switchable between any two of the 27 tones by either:
 (i) Reversing the polarity of the supply, or
 (ii) by a 3 wire common +ve system, switching between the two -ve lines.
 Note: Two stage unit available in d.c. versions (DB15P) only.

AFNOR NF S 32 001 compliant version available – contact sales office for details.

Ordering Requirements

The following code is designed to help in selection of the correct unit. Build up the reference number by inserting the code for each component into the appropriate box. **Standard products available ex-stock. Please visit www.coopermedc.com for further details.**

| Model | Voltage | Options | Finish | | | | | | | | | | | | | | | | | | | | | | | | | | | | | | | | | | | | | | |
|----------------------|--|---------|--------|----------|-----|--------------|-----|-----------|------|-----------|------|-----------|------|-----------|------|-----------|------|--|---------|------|------|----|-----|----|------------------|---|----------------------|----|---------------|---|------|---|--|--------|------|--------------|---|-----|---|---------|----|
| DB15 DB15P | <table border="1"> <thead> <tr> <th>Voltage</th> <th>Code</th> </tr> </thead> <tbody> <tr><td>12V d.c.</td><td>012</td></tr> <tr><td>24V-48V d.c.</td><td>048</td></tr> <tr><td>110V a.c.</td><td>110*</td></tr> <tr><td>120V a.c.</td><td>120*</td></tr> <tr><td>220V a.c.</td><td>220*</td></tr> <tr><td>240V a.c.</td><td>240*</td></tr> <tr><td>254V a.c.</td><td>254*</td></tr> </tbody> </table> | Voltage | Code | 12V d.c. | 012 | 24V-48V d.c. | 048 | 110V a.c. | 110* | 120V a.c. | 120* | 220V a.c. | 220* | 240V a.c. | 240* | 254V a.c. | 254* | <table border="1"> <thead> <tr> <th>Options</th> <th>Code</th> </tr> </thead> <tbody> <tr><td>Duty</td><td>D*</td></tr> <tr><td>Tag</td><td>T*</td></tr> <tr><td>Earth Continuity</td><td>E</td></tr> <tr><td>End of Line Resistor</td><td>R†</td></tr> <tr><td>Blanking Plug</td><td>P</td></tr> <tr><td>None</td><td>N</td></tr> </tbody> </table> | Options | Code | Duty | D* | Tag | T* | Earth Continuity | E | End of Line Resistor | R† | Blanking Plug | P | None | N | <table border="1"> <thead> <tr> <th>Finish</th> <th>Code</th> </tr> </thead> <tbody> <tr><td>Painted Grey</td><td>G</td></tr> <tr><td>Red</td><td>R</td></tr> <tr><td>Special</td><td>S*</td></tr> </tbody> </table> | Finish | Code | Painted Grey | G | Red | R | Special | S* |
| Voltage | Code | | | | | | | | | | | | | | | | | | | | | | | | | | | | | | | | | | | | | | | | |
| 12V d.c. | 012 | | | | | | | | | | | | | | | | | | | | | | | | | | | | | | | | | | | | | | | | |
| 24V-48V d.c. | 048 | | | | | | | | | | | | | | | | | | | | | | | | | | | | | | | | | | | | | | | | |
| 110V a.c. | 110* | | | | | | | | | | | | | | | | | | | | | | | | | | | | | | | | | | | | | | | | |
| 120V a.c. | 120* | | | | | | | | | | | | | | | | | | | | | | | | | | | | | | | | | | | | | | | | |
| 220V a.c. | 220* | | | | | | | | | | | | | | | | | | | | | | | | | | | | | | | | | | | | | | | | |
| 240V a.c. | 240* | | | | | | | | | | | | | | | | | | | | | | | | | | | | | | | | | | | | | | | | |
| 254V a.c. | 254* | | | | | | | | | | | | | | | | | | | | | | | | | | | | | | | | | | | | | | | | |
| Options | Code | | | | | | | | | | | | | | | | | | | | | | | | | | | | | | | | | | | | | | | | |
| Duty | D* | | | | | | | | | | | | | | | | | | | | | | | | | | | | | | | | | | | | | | | | |
| Tag | T* | | | | | | | | | | | | | | | | | | | | | | | | | | | | | | | | | | | | | | | | |
| Earth Continuity | E | | | | | | | | | | | | | | | | | | | | | | | | | | | | | | | | | | | | | | | | |
| End of Line Resistor | R† | | | | | | | | | | | | | | | | | | | | | | | | | | | | | | | | | | | | | | | | |
| Blanking Plug | P | | | | | | | | | | | | | | | | | | | | | | | | | | | | | | | | | | | | | | | | |
| None | N | | | | | | | | | | | | | | | | | | | | | | | | | | | | | | | | | | | | | | | | |
| Finish | Code | | | | | | | | | | | | | | | | | | | | | | | | | | | | | | | | | | | | | | | | |
| Painted Grey | G | | | | | | | | | | | | | | | | | | | | | | | | | | | | | | | | | | | | | | | | |
| Red | R | | | | | | | | | | | | | | | | | | | | | | | | | | | | | | | | | | | | | | | | |
| Special | S* | | | | | | | | | | | | | | | | | | | | | | | | | | | | | | | | | | | | | | | | |

* DB15P not available in a.c. version.

* Please specify wording
 † Specify value

* Please specify