

Ex d



Features

- Zone 1 and Zone 2 use.
- Ex d IIC T5/T6.
- ATEX approved Ex II 2GD.
- IECEx certified Gb, Db.
- IP66 & 67.
- Optional Telephone or Relay Initiate.
- Optional Resistors or Diodes.

Introduction

A metallic junction box for Zone 1 or Zone 2 use.

Available in stainless steel or marine grade alloy.

Various terminals and entries can be accommodated.

Stainless steel, one of the most durable materials available on the market, is both hard wearing and corrosion resistant, increasing the life of products in harsh environments and therefore reducing maintenance costs.

Authorized Distributor:
GasDetectorsUSA.com
Houston, TX USA
832-615-3588
sales@GasDetectorsUSA.com

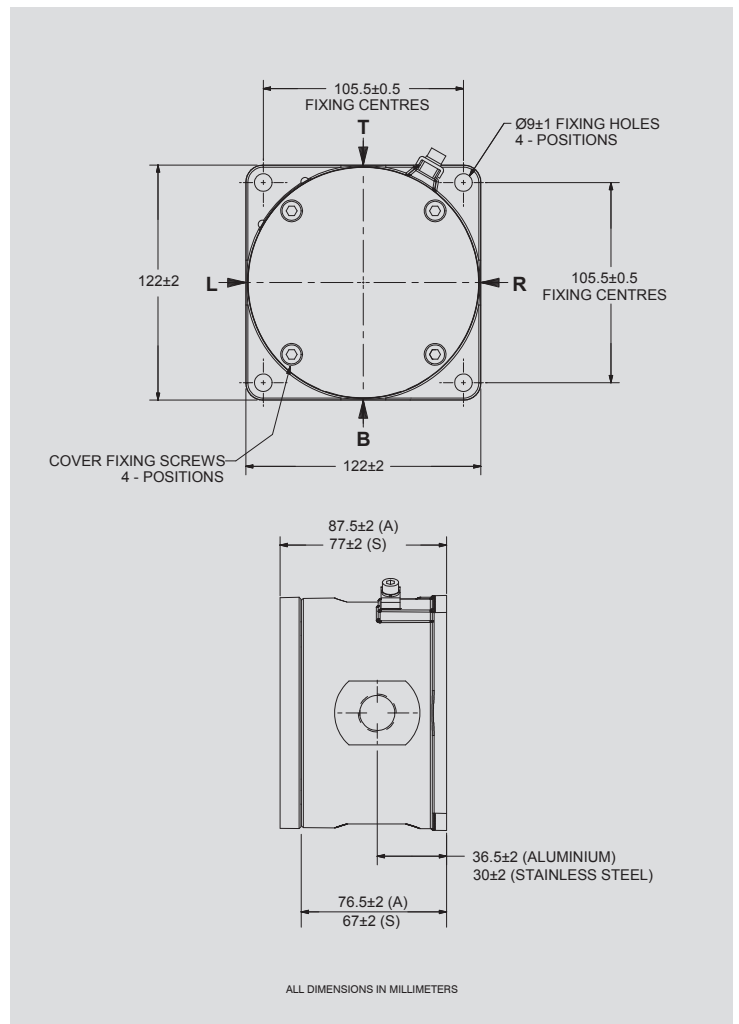


Certification & Specification

Certification:	Cert. no. Bas03ATEX0463. Certified to: EN60079-0, EN60079-1, EN60079-31. Ex II 2GD, Ex d IIC T4/5/6 Gb, Ex tb IIIC T135/100/85°C Db, IP66/67
IECEx Ex d:	Cert. no. IECEx BAS 13.0048 Certified to: IEC60079-0, IEC60079-1, IEC60079-31. Ex d IIC T4/5/6 Gb, Ex tb IIIC T135/100/85°C Db, IP66/67
Material:	Stainless steel grade 316 ANC4B, marine grade alloy LM25.
Finish:	Painted to customer specification.
Certified Temp:	-55°C to +85°C (T4). -55°C to +70°C (T5). -55°C to +55°C (T6). <i>T ratings are for units with terminals only.</i>
Weight:	3.1kg.
Ingress Protection:	IP66 & IP67.
Entries:	Max. one per face in 20mm or 25mm ISO.
Resistor or Diode:	Contact sales office for information. Maximum of two components.

Terminal KLIPPON	No. off	Max Volts	Max Amps	Max Conductor size mm ²
BK6	6	440V	25A	4
MK3/10	10	440V	25A	2.5
AKZ4	12	440V	25A	4
SAKD2.5N	12	440V	25A	2.5
SAK2.5	8	440V	25A	2.5
SAK4	6	440V	25A	4

Terminal PHOENIX	No. off	Max Volts	Max Amps	Max Conductor size mm ²
MBK	12	440V	25A	1.5
MBK5	12	440V	25A	4
MBK6	10	440V	25A	6
BK4	10	440V	25A	4



Ordering Requirements

The following code is designed to help in selection of the correct unit. Build up the reference number by inserting the code for each component into the appropriate box.

Model []	Certification []	Entries []	Terminals []	Tag/Duty []	Options []	Finish []																																																																																		
<table border="1"> <tr> <td>SM87JBA (alloy)</td> <td></td> </tr> <tr> <td>SM87JBS (stainless steel)</td> <td></td> </tr> </table>	SM87JBA (alloy)		SM87JBS (stainless steel)		<table border="1"> <tr> <td>Certification Code</td> <td></td> </tr> <tr> <td>ATEX</td> <td>B</td> </tr> <tr> <td>IECEx</td> <td>J</td> </tr> </table>	Certification Code		ATEX	B	IECEx	J	<table border="1"> <tr> <td>Entries</td> <td>Code</td> </tr> <tr> <td>20mm</td> <td>1</td> </tr> <tr> <td>25mm</td> <td>2</td> </tr> <tr> <td>Please specify</td> <td></td> </tr> <tr> <td>Top</td> <td>*T</td> </tr> <tr> <td>Bottom</td> <td>*B</td> </tr> <tr> <td>RHS</td> <td>*R</td> </tr> <tr> <td>LHS</td> <td>*L</td> </tr> </table> <p>* Prefix position with entry size code. e.g. 1T1B=20mm Top and Bottom entries.</p>	Entries	Code	20mm	1	25mm	2	Please specify		Top	*T	Bottom	*B	RHS	*R	LHS	*L	<table border="1"> <tr> <td>Terminal</td> <td>Code</td> </tr> <tr> <td>BK6</td> <td>11</td> </tr> <tr> <td>MK3/10</td> <td>12</td> </tr> <tr> <td>AKZ 4</td> <td>13</td> </tr> <tr> <td>SAKD2.5N</td> <td>14</td> </tr> <tr> <td>SAK2.5</td> <td>15</td> </tr> <tr> <td>SAK4</td> <td>16</td> </tr> <tr> <td>MBK</td> <td>21</td> </tr> <tr> <td>MBK5</td> <td>22</td> </tr> <tr> <td>MBK6</td> <td>23</td> </tr> <tr> <td>BK4</td> <td>24</td> </tr> </table>	Terminal	Code	BK6	11	MK3/10	12	AKZ 4	13	SAKD2.5N	14	SAK2.5	15	SAK4	16	MBK	21	MBK5	22	MBK6	23	BK4	24	<table border="1"> <tr> <td>Labels</td> <td>Code</td> </tr> <tr> <td>None</td> <td>N</td> </tr> <tr> <td>Yes</td> <td>Y*</td> </tr> </table> <p>* Please specify in text.</p>	Labels	Code	None	N	Yes	Y*	<table border="1"> <tr> <td>Colour</td> <td>Code</td> </tr> <tr> <td>Red</td> <td>R</td> </tr> <tr> <td>Blue</td> <td>B</td> </tr> <tr> <td>Yellow</td> <td>Y</td> </tr> <tr> <td>Yellow/Black</td> <td>X</td> </tr> <tr> <td>Stripes</td> <td></td> </tr> <tr> <td>Grey</td> <td>G</td> </tr> <tr> <td>Special</td> <td>S*</td> </tr> </table> <p>* Special finish please specify.</p>	Colour	Code	Red	R	Blue	B	Yellow	Y	Yellow/Black	X	Stripes		Grey	G	Special	S*	<table border="1"> <tr> <td>Option</td> <td>Code</td> </tr> <tr> <td>None</td> <td>N</td> </tr> <tr> <td>Telephone initiate</td> <td>T</td> </tr> <tr> <td>Relay initiate</td> <td>R*</td> </tr> <tr> <td>Resistors</td> <td>S†</td> </tr> <tr> <td>Diodes</td> <td>D†</td> </tr> </table> <p>* Please specify voltage † Please specify values and wiring arrangement. Max of two components</p>	Option	Code	None	N	Telephone initiate	T	Relay initiate	R*	Resistors	S†	Diodes	D†
SM87JBA (alloy)																																																																																								
SM87JBS (stainless steel)																																																																																								
Certification Code																																																																																								
ATEX	B																																																																																							
IECEx	J																																																																																							
Entries	Code																																																																																							
20mm	1																																																																																							
25mm	2																																																																																							
Please specify																																																																																								
Top	*T																																																																																							
Bottom	*B																																																																																							
RHS	*R																																																																																							
LHS	*L																																																																																							
Terminal	Code																																																																																							
BK6	11																																																																																							
MK3/10	12																																																																																							
AKZ 4	13																																																																																							
SAKD2.5N	14																																																																																							
SAK2.5	15																																																																																							
SAK4	16																																																																																							
MBK	21																																																																																							
MBK5	22																																																																																							
MBK6	23																																																																																							
BK4	24																																																																																							
Labels	Code																																																																																							
None	N																																																																																							
Yes	Y*																																																																																							
Colour	Code																																																																																							
Red	R																																																																																							
Blue	B																																																																																							
Yellow	Y																																																																																							
Yellow/Black	X																																																																																							
Stripes																																																																																								
Grey	G																																																																																							
Special	S*																																																																																							
Option	Code																																																																																							
None	N																																																																																							
Telephone initiate	T																																																																																							
Relay initiate	R*																																																																																							
Resistors	S†																																																																																							
Diodes	D†																																																																																							